



HBCJ SERIES

Band Clamp Jumbo Filter Housings
Data Sheet

- 304 or 316 Stainless Steel.
- Electropolished standard on all models.
- Band Clamp Design for Fast / Easy / Safe Operation.
- Stainless Steel Standpipe.
- Accepts Jumbo Style Cartridges.
- Multiple Size options to best meet your application.



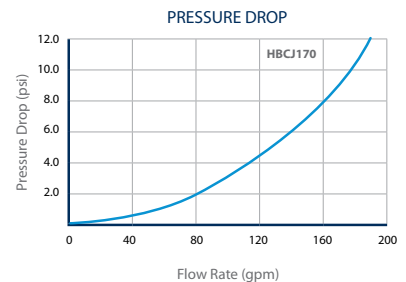
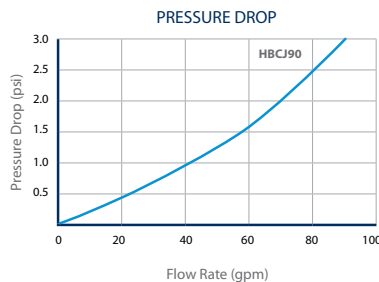
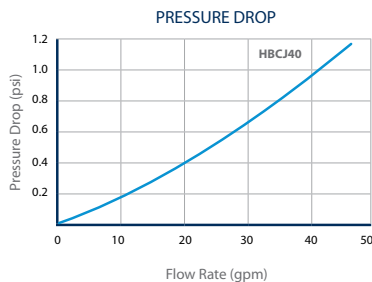
HYDROSCIENTIFIC™ HBCJ SERIES BAND CLAMP JUMBO FILTER HOUSINGS provide exceptional performance and deliver durability, quality and price.

HYDROSCIENTIFIC™ HBCJ SERIES BAND CLAMP JUMBO FILTER HOUSINGS come with Stainless Steel standpipes as a standard feature and through their JUMBO radial flow water entry, water enters the housing and forces water more effectively through the cartridges pleated filter media.

HBCJ SERIES - 304SS BAND CLAMP JUMBO FILTER HOUSING SPECIFICATIONS						
Part Number	Description	Ports (In/Out)	Drains	Vents	Max. Flow Rate (gpm)	
HBCJ40	HydroScientific™ Band Clamp 40 Jumbo Filter Housing, ML, EP	2" FNPT	1" FNPT	1/4" FNPT	50	
HBCJ90	HydroScientific™ Band Clamp 90 Jumbo Filter Housing, ML, EP	2" FNPT	1" FNPT	1/4" FNPT	100	
HBCJ170	HydroScientific™ Band Clamp 170 Jumbo Filter Housing, ML, EP	2" FNPT	1" FNPT	1/4" FNPT	150	

HBCJ SERIES - 316SS BAND CLAMP JUMBO FILTER HOUSING SPECIFICATIONS						
Part Number	Description	Ports (In/Out)	Drains	Vents	Max. Flow Rate (gpm)	
HBCJ40-316	HydroScientific™ Band Clamp 40 Jumbo Filter Housing, ML, EP	2" FNPT	1" FNPT	1/4" FNPT	50	
HBCJ90-316	HydroScientific™ Band Clamp 90 Jumbo Filter Housing, ML, EP	2" FNPT	1" FNPT	1/4" FNPT	100	
HBCJ170-316	HydroScientific™ Band Clamp 170 Jumbo Filter Housing, ML, EP	2" FNPT	1" FNPT	1/4" FNPT	150	

ML = LEGS, EP = ELECTROPOLISH



HBCJ SERIES

Band Clamp Jumbo Filter Housings
Data Sheet

APPLICATIONS

- Residential, Commercial and Industrial
- Cooling Tower Filtration
- Whole House Filtration
- Process Water
- Well Water
- Small Community Compliance
- Industrial Waste Water Treatment

ADDITIONAL FEATURES

Finish: Electropolished and Bead Blasted Standard
Drains: Clean and Dirty standard on all models

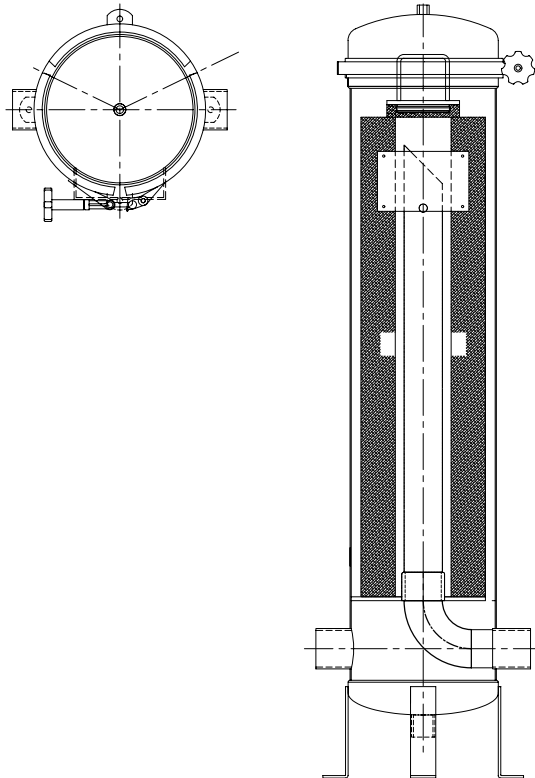
MATERIALS OF CONSTRUCTION

Housing Shell: 304 or 316 stainless steel
Band Clamp Lid Closure: 304 or 316 stainless steel
Vent and Drain Plugs: 304 or 316 stainless steel
Heavy Duty Mounting Legs: 304 or 316 stainless steel
O-Ring / Gasket: EPDM - FDA Grade
(Viton, Silicone and EPR Options)

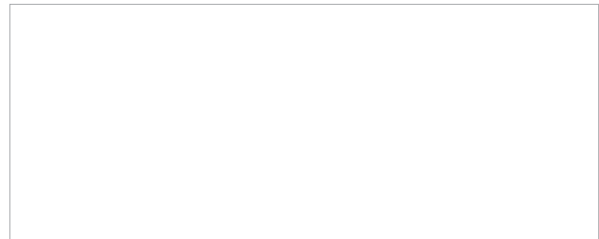
OPERATIONAL DATA

Max. Working Pressure: 150 psi at 250 °F (10.3 bar at 121 °C)
Max. Operating Temperature: 250 °F (121 °C)

Copyright © 2019 HydroScientific., All Rights Reserved.



DISTRIBUTED BY:



P.O. Box 2235 Chino Hills, CA 91709 | USA
sales@hydronixwater.com

LIT-HBCJ-DS 10/29/19