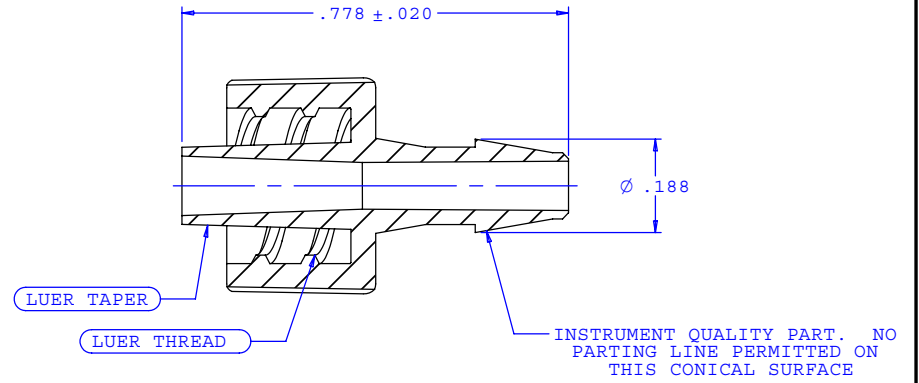
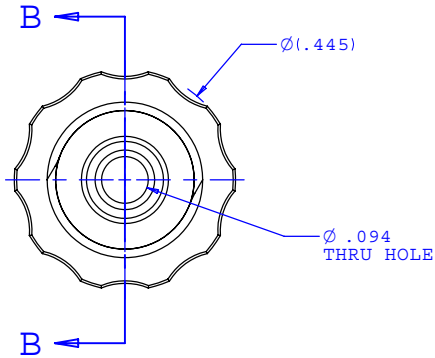
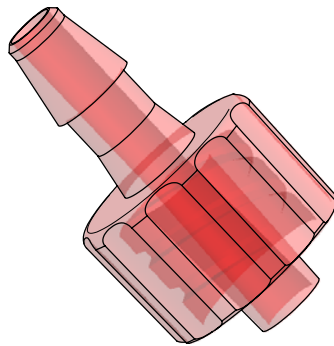


NOTE: FOR MORE DETAILS SEE YOUR V.P.CUSTOMER SERVICE REP.

REVISIONS			
REV.	DESCRIPTION	DATE	APPROVED
A	ECO-0029	08-11-00	
B	CO 013 Drafting Update	05-04-05	Rick C.



SECTION B-B



UNLESS OTHERWISE SPECIFIED DIMENSIONS ARE IN INCHES TOLERANCES ARE:		VALUE PLASTICS, INC.	
FRACTIONS ±	DECIMALS .XX ±.01 .XXX ±.005 .XXXX ±.001	ANGULAR ±1°	PART NUMBER: MTLL230
DO NOT SCALE DRAWING		DESCRIPTION: Male Luer Integral Lock Ring to 200 Series Barb, 1/8" (3 mm) ID Tubing	
DRAWN BY: Frank Lombardi 4-18-05	DATE:	SIZE: B	SCALE: NTS
ENGINEER MANAGER: Rick Cairns		DRAWING NUMBER: 1005482	REV. B
		© 2004 VALUE PLASTICS, INC.	SHEET: 1 OF 1

FOR REFERENCE ONLY