



T&S BRASS AND BRONZE WORKS, INC.

2 Saddleback Cove / P.O. Box 1088
Travelers Rest, SC 29690

Model No.

B-2820

Item No.

Travelers Rest, SC: 800-476-4103 • Simi Valley, CA: 800-423-0150 • Fax: 864-834-3518 • www.tsbrass.com

This Space for Architect/Engineer Approval

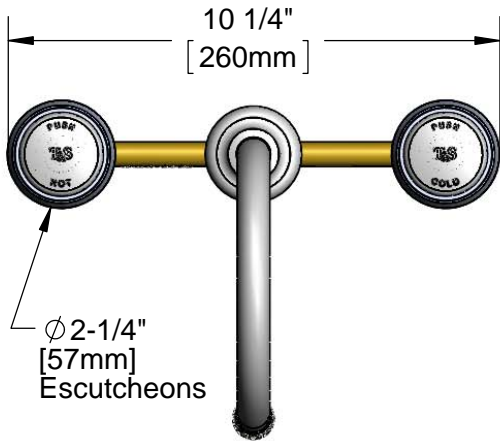
Job Name _____ Date _____

Model Specified _____ Quantity _____

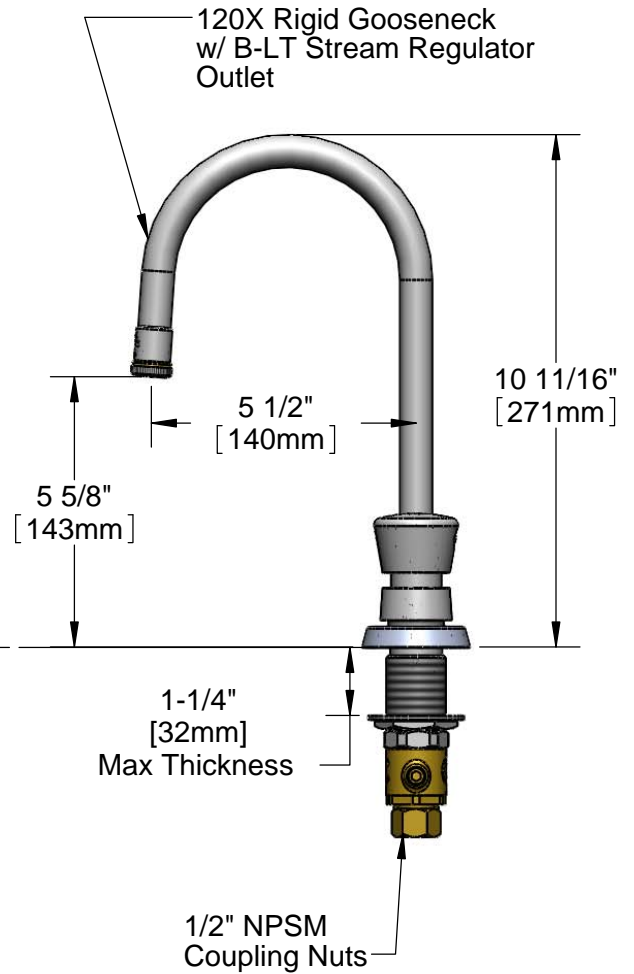
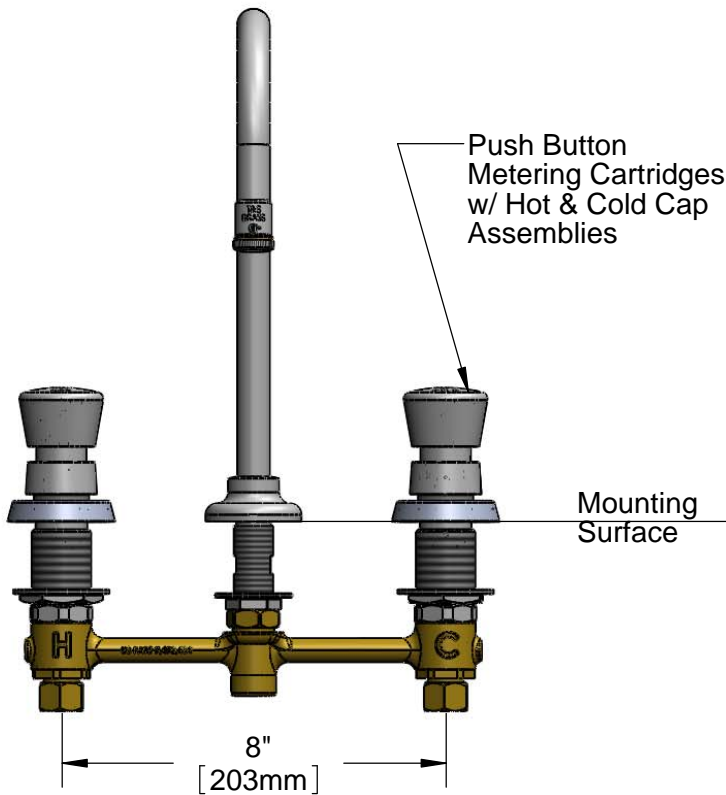
Customer/Wholesaler _____

Contractor _____

Architect/Engineer _____



ADA Compliant



Rough-In Requirement:
 ϕ 1" [25mm] for Center Shank
 ϕ 1-1/2" [38mm] for Hot/Cold Side

Product Specifications:
 EasyInstall Faucet w/ Push Button Handles, Metering Cartridges,
 8" Inlet Centers, & 120X Rigid Gooseneck w/ Stream Regulator Outlet

Drawn
JRM

Checked
DMH

Approved
JHB

Scale:
1:4

Date:
06/21/12



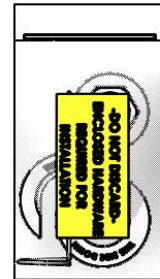
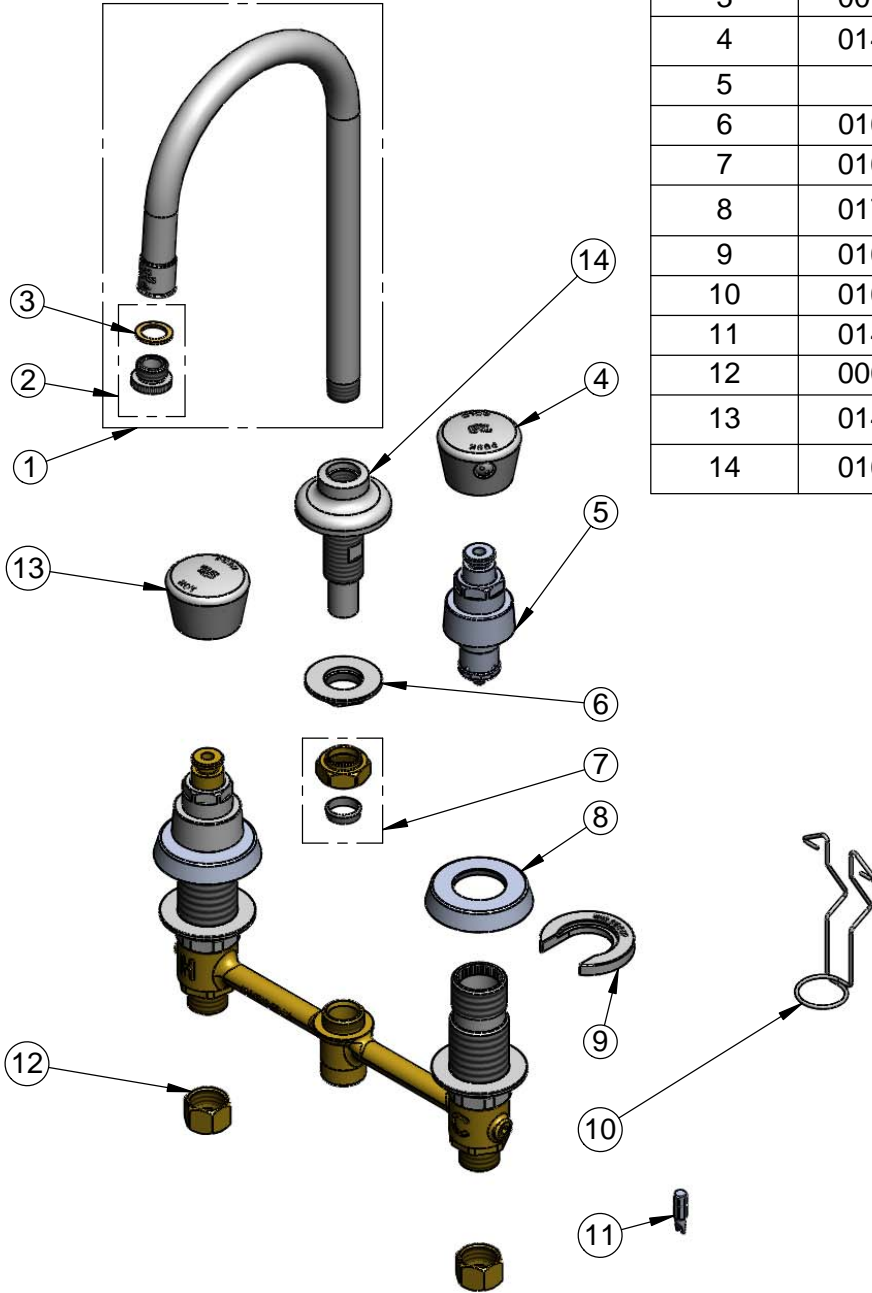
T&S BRASS AND BRONZE WORKS, INC.
 2 Saddleback Cove / P.O. Box 1088
 Travelers Rest, SC 29690

Model No.
B-2820

Item No.

Travelers Rest, SC: 800-476-4103 • Simi Valley, CA: 800-423-0150 • Fax: 864-834-3518 • www.tsbrass.com

| ITEM NO. | SALES NO. | DESCRIPTION |
|----------|-----------|--|
| 1 | 120X | Rigid Gooseneck w/ Stream Regulator Outlet |
| 2 | B-LT | Stream Regulator Outlet |
| 3 | 001043-45 | Washer |
| 4 | 014195-40 | Cold Cap Assembly |
| 5 | 238A | Push Button Metering Cartridge |
| 6 | 016742-45 | Center Flange Nut |
| 7 | 016745-45 | Compression Nut & Fitting |
| 8 | 017292-45 | Metering CWS Escutcheon |
| 9 | 016749-45 | Sidebody C-Washer |
| 10 | 016777-45 | CWS Hanger |
| 11 | 014734-45 | #8 Spanner Bit |
| 12 | 000958-20 | Coupling Nut |
| 13 | 014194-40 | Hot Cap Assembly |
| 14 | 016847-40 | EasyInstall CWS Rigid Center Shank |



017245-40
 Installation Repair Kit
 Includes #6, (2)#9, & #11

Product Specifications:
 EasyInstall Faucet w/ Push Button Handles, Metering Cartridges,
 8" Inlet Centers, & 120X Rigid Gooseneck w/ Stream Regulator Outlet

| | | |
|---------------------|-----------------------|------------------------|
| Drawn JRM | Checked DMH | Approved JHB |
|---------------------|-----------------------|------------------------|

| | |
|----------------------|--------------------------|
| Scale: NTS | Date: 06/21/12 |
|----------------------|--------------------------|