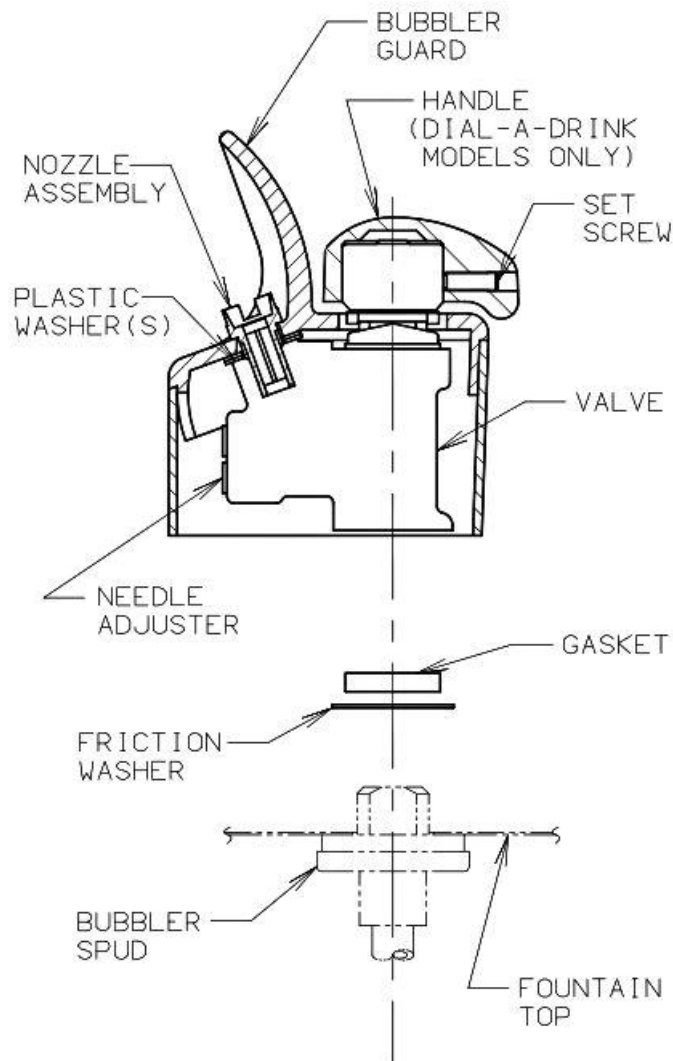


VALVE INSTALLATION/ADJUSTMENT INSTRUCTIONS

- 1) REMOVE HANDLE (DIAL-A-DRINK MODELS ONLY), UNSCREW AND REMOVE NOZZLE, LIFT OFF BUBBLER GUARD (SEE DIAGRAM ON BACK).
- 2) PLACE FRICTION WASHER ON BUBBLER SPUD FIRST, THEN GASKET. SCREW VALVE ONTO SPUD, TIGHTEN SECURELY TO PREVENT LEAKS.
- 3) STREAM HEIGHT SHOULD BE 5-1/2". TO REGULATE, TURN NEEDLE ADJUSTER CLOCKWISE TO LOWER STREAM OR COUNTER-CLOCKWISE TO RAISE STREAM.
- 4) PLACE PLASTIC WASHER(S) ON VALVE NOZZLE HOLE AND ASSEMBLE BUBBLER GUARD OVER VALVE.
- 5) SCREW NOZZLE FIRMLY INTO PLACE.
- 6) POSITION HANDLE WITH A 1/32" VERTICAL CLEARANCE BETWEEN HANDLE AND BUBBLER GUARD ON THE SIDE NEAREST NOZZLE. TIGHTEN SET SCREW ONLY ENOUGH TO PREVENT REMOVAL.

026557 REV. A



WATER COOLER MODELS
OASIS® P3CP, P3CPH, P5CP, P10CP
SUNROC CSFD3, CSFD5, CSFD10
INSTRUCTIONS

1. INSPECTION

Inspect the carton and water cooler for evidence of rough handling and concealed damage. Damage claims should be filed with the carrier.

2. MAINTENANCE

The only maintenance operation required is the removal of dirt and lint from the condenser. Inspection should be made at 3 month intervals. Disconnect the power supply cord, then clean the condenser with a small stiff non-wire brush when required. Observance of this procedure will insure adequate air circulation through the condenser so operation is efficient and economical.

3. OVERLOAD PROTECTION

The compressor motor is equipped with an automatic reset protector which will disconnect the motor from the line in case of an overload.

4. LUBRICATION

This unit is equipped with a hermetically sealed compressor and requires no additional lubrication. The fan motor on this unit seldom needs oiling, but if required, a few drops of SAE 10 oil should be used.

5. TO PUT WATER COOLER INTO SERVICE

- a) **Note:** The following states require a licensed plumber to install cooler; AR, GA, MA, MI, OK, RI, SC, SD, TX, VT and WI.
- b) CA, KS, MN, NM and OR allow for a state-registered installer or contractor as well. State and local plumbing codes may prohibit the use of saddle tapping valves for water line connection in some applications. All connections must conform to applicable plumbing codes.
- c) The water cooler should be located a minimum of 4 inches from the wall to assure adequate condenser air circulation.
- d) Install a waste trap in the drain line and a shut-off valve in the water supply line. The drain connection tailpiece and the water supply tube are identified and located on the Roughing-In drawing shown on the reverse side of this sheet.
- e) Filter units have additional instructions on a label inside the access panel. Read these before installing unit. To fill the cold water tank, open the shut-off and bubbler valve. Deflect stream from bubbler and run water until stream is free of bubbles.
- f) On hot and cold model, fill the water heating tank by drawing water from the hot water faucet or dispenser until the stream is free of bubbles.
- g) Check the available power supply against the water cooler data plate to assure correct electrical service. Plug power supply cord into receptacle. (Connect electrical supply to explosion proof model in accord with local and National Electrical Code for the class and group requirements of the specific hazardous location).
- h) If a hot and cold model, make certain the hot water tank contains water, then press the hot water tank heater switch to the "ON" position. DANGER: WATER DISPENSED FROM HOT FAUCET CAN SCALD.

6. TO DISCONTINUE USE OF WATER COOLER

- a) Disconnect the power supply cord.
- b) Close the water shut-off valve.
- c) On hot and cold model, press the hot water heater switch to the "OFF" position.
- d) Provide container to catch water and remove drain plug(s) from tank(s).
- e) Remove or open bubbler valve and, if any, the glassfiller and hot valve. Replace plug(s) when draining is complete.
- f) ALWAYS DRAIN ALL WATER WHEN FREEZING TEMPERATURES ARE ANTICIPATED AND BEFORE SHIPPING THE WATER COOLER.

WARNING

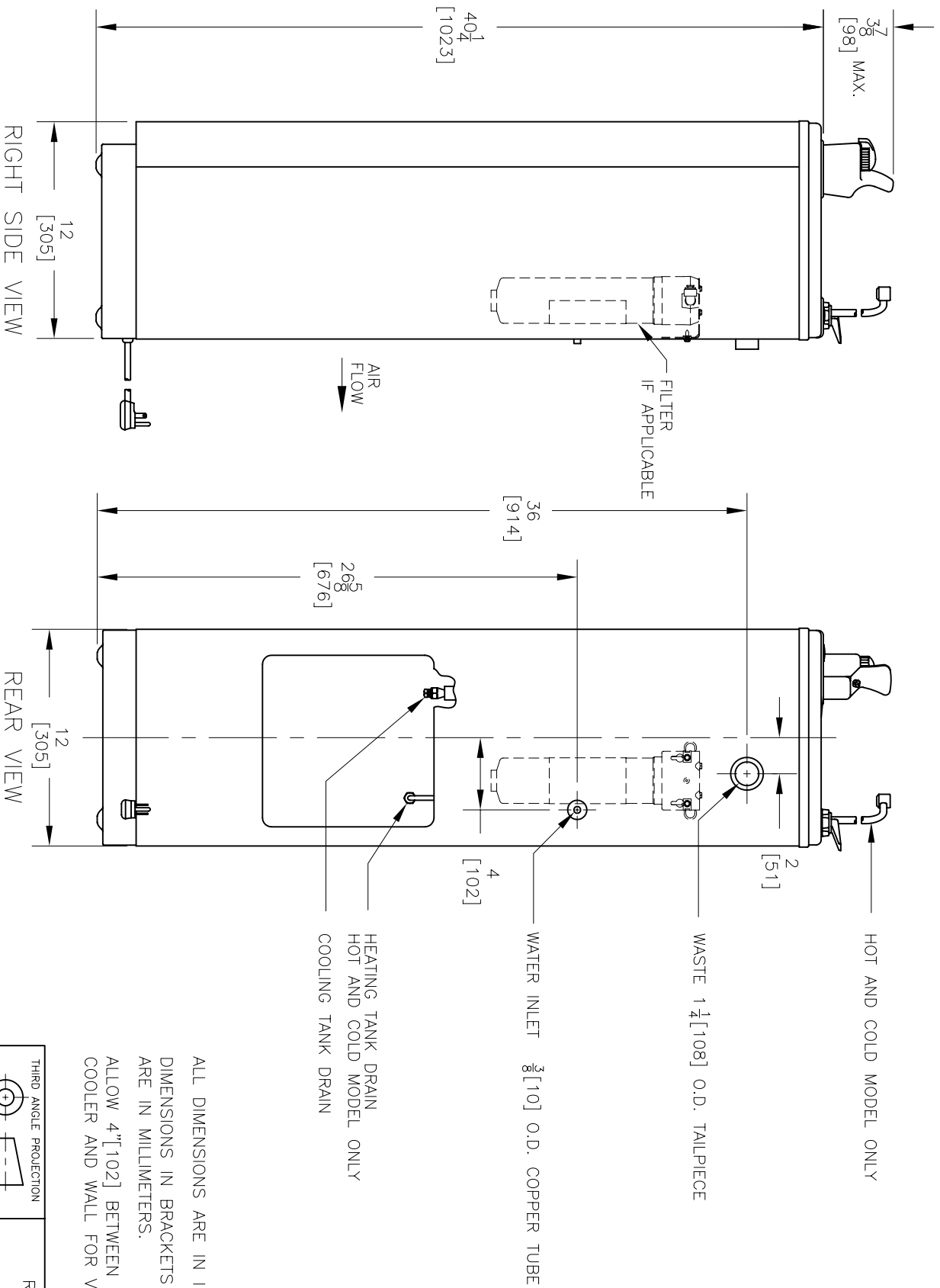
The warranty and the Underwriters' Laboratory listing for this machine are automatically voided if this machine is altered, modified, or combined with any other machine or device. Alteration or modification of this machine may cause serious flooding and/or hazardous electrical shock or fire.

EXCEPT AS SET FORTH HEREIN, THE MANUFACTURER MAKES NO OTHER WARRANTY, GUARANTEE OR AGREEMENT EXPRESSED, IMPLIED OR STATUTORY, INCLUDING ANY IMPLIED WARRANTY OR MERCHANTABILITY OR FITNESS FOR A PARTICULAR PURPOSE.



222 East Campus View Blvd. • Columbus, OH 43235 U.S.A.
1-800-950-3226
www.oasiscoolers.com

WATER COOLER MODELS
OASIS® P3CP, P3CPH, P5CP, P10CP
SUNROC CSFD3, CSFD5, CSFD10



ALL DIMENSIONS ARE IN INCHES.
 DIMENSIONS IN BRACKETS []
 ARE IN MILLIMETERS.
 ALLOW 4" [102] BETWEEN REAR OF WATER
 COOLER AND WALL FOR VENTILATION.



ROUGHING--IN
 AND
 DIMENSIONAL
 DRAWING