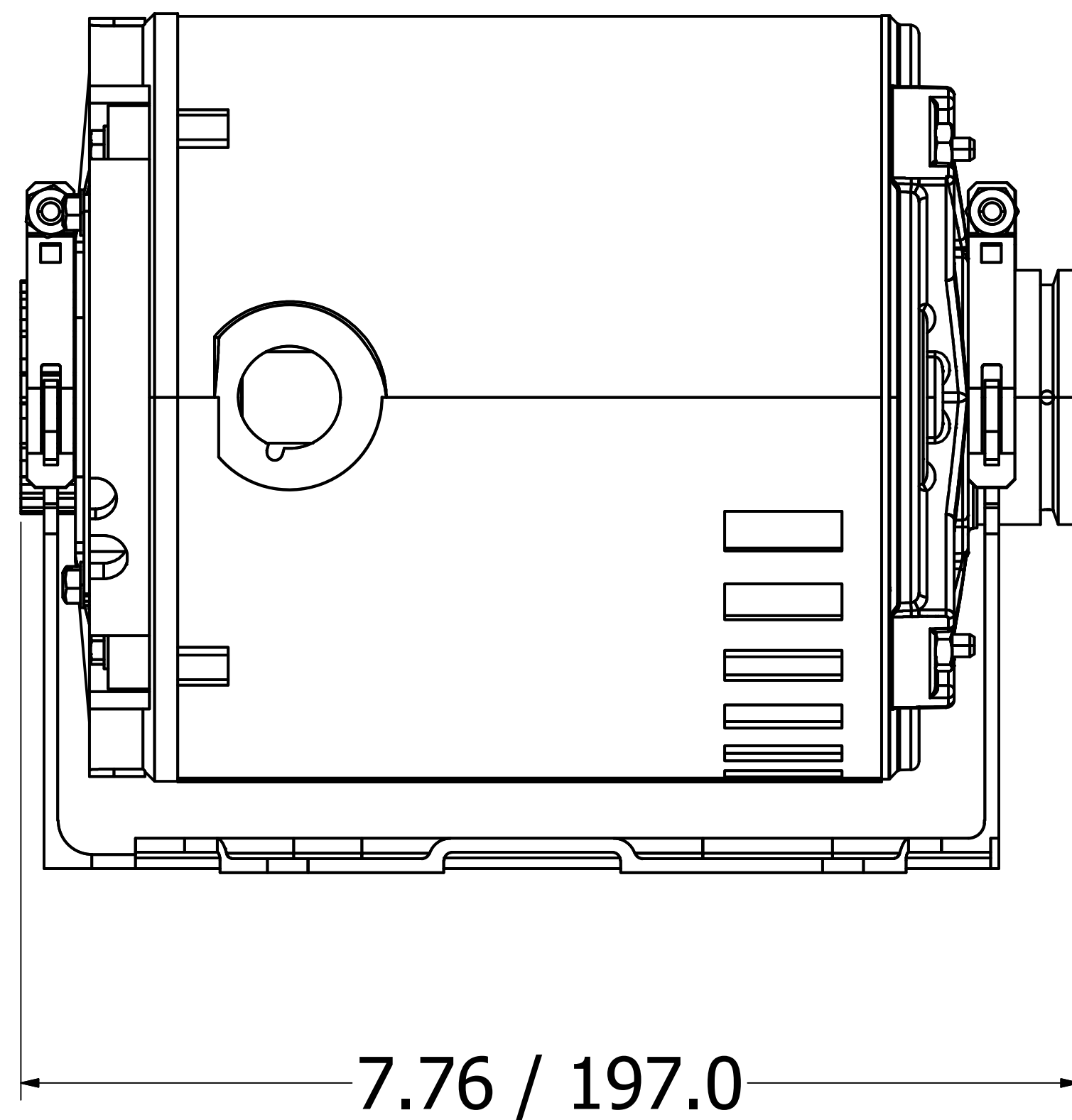
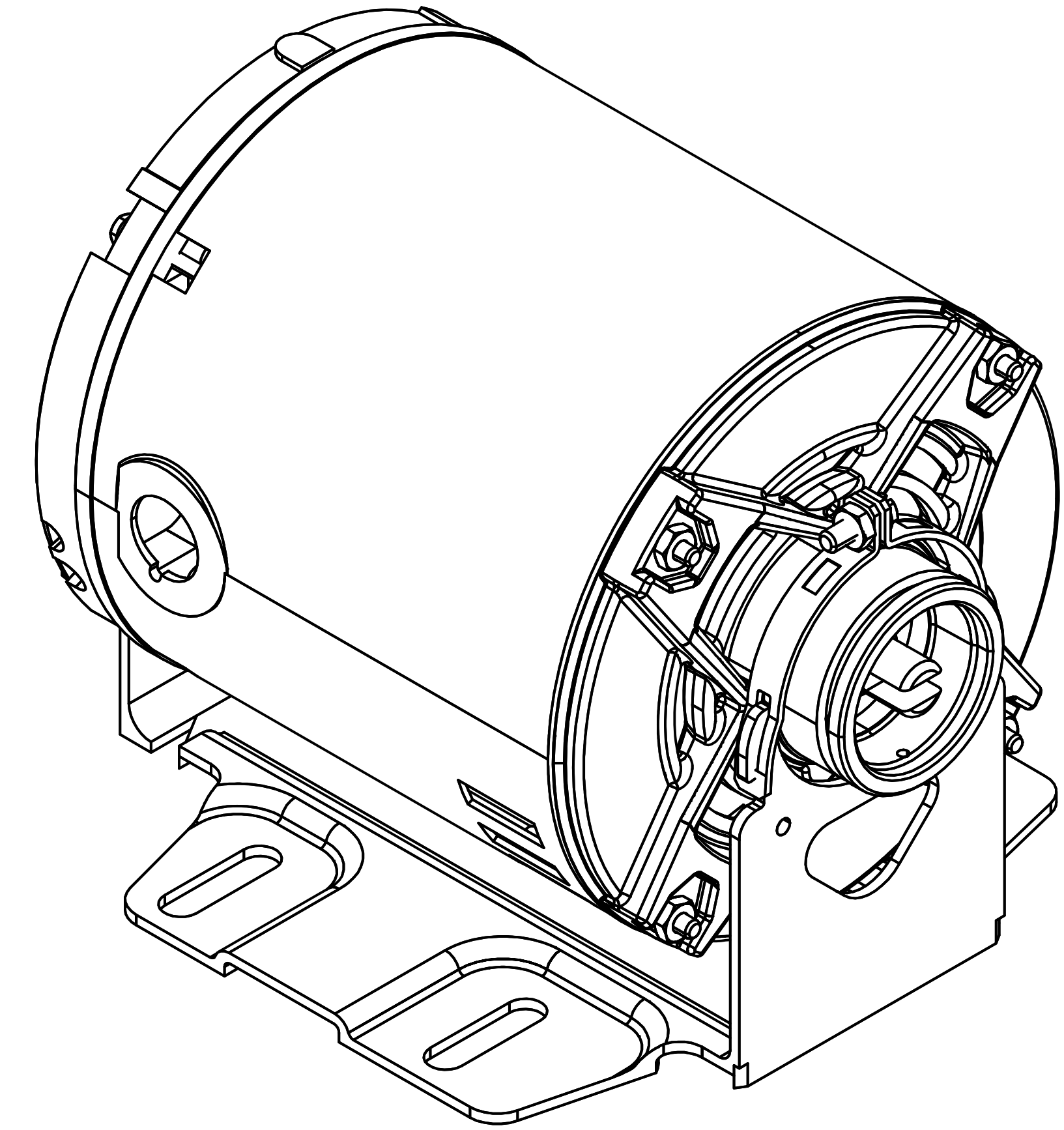
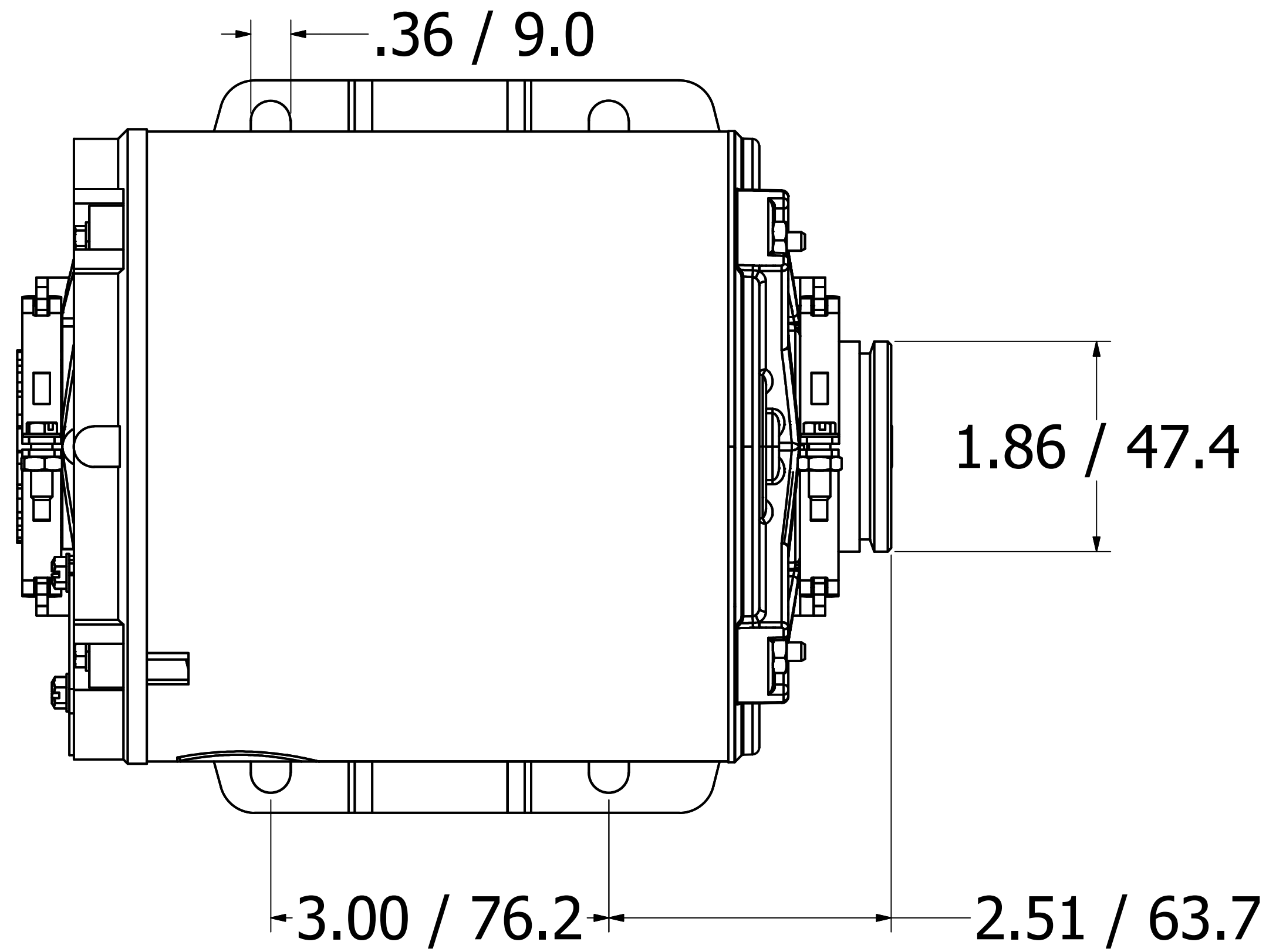
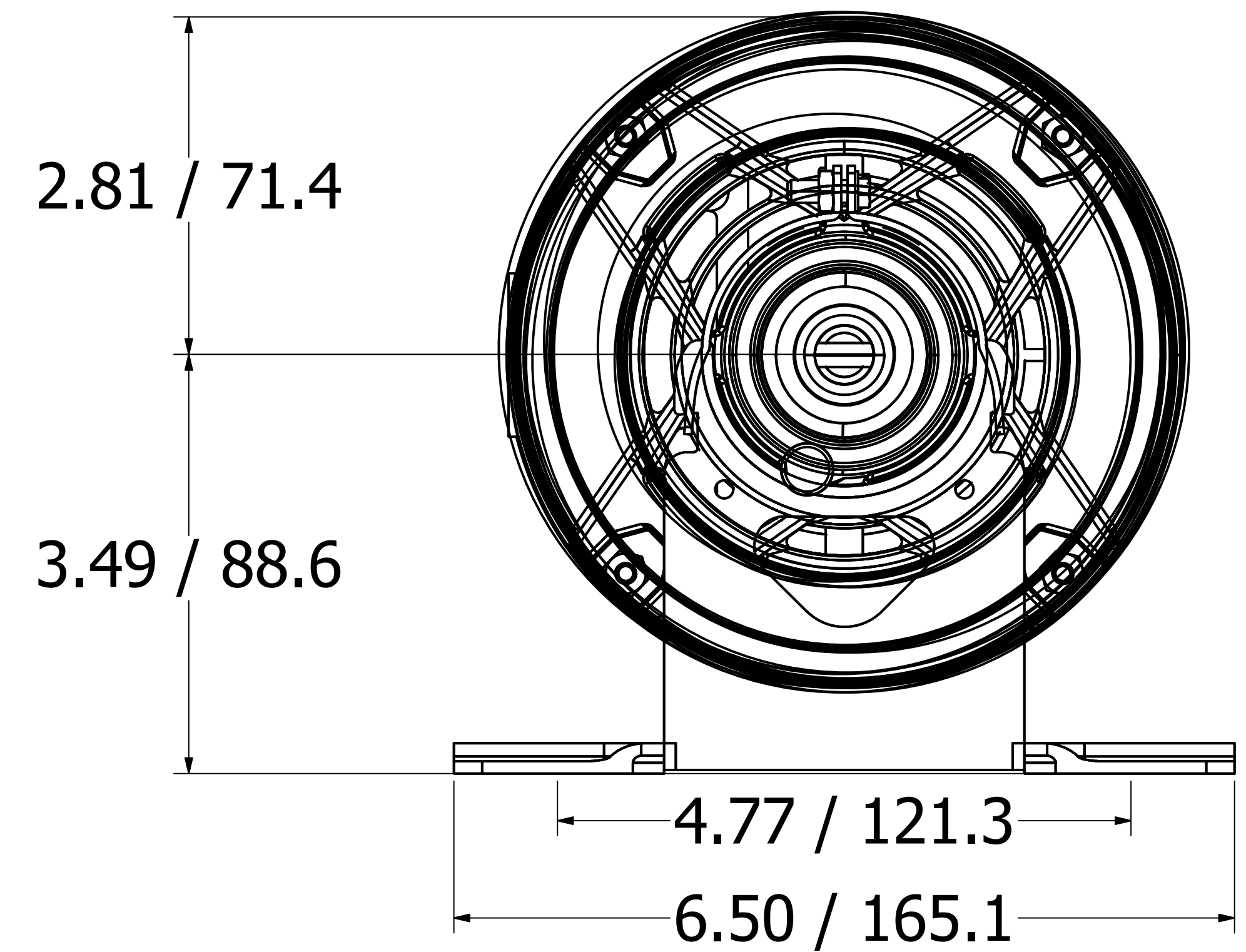


803 motor



SPEED: 1725 RPM
 HP: 1/4
 CYCLE: 60 HZ.
 VOLTS: 115 - 1 PH
 AMPS: 5.0
 FRAME: 48Y
 ENCLOSURE: DRIPPROOF
 OVERLOAD
 PROTECTION: AUTO-PROTECTED
 BASE: RESILIENT
 INSULATION: CLASS B



869 Seven Oaks Blvd.
 Suite 120
 Smyrna, TN 37167
 615-355-8000
 mail@proconpump.com

Disclaimer:
 Dimensions are subject to change without notice and will vary slightly depending on the motor vendor selected for your order

PROCON[®]
 Products