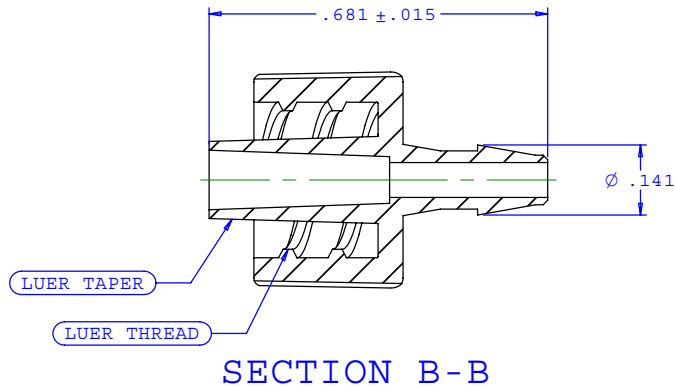
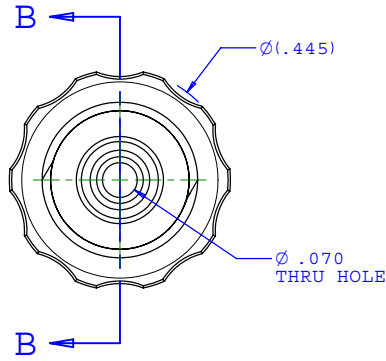


NOTE: FOR MORE DETAILS SEE YOUR V.P.CUSTOMER SERVICE REP.

REVISIONS			
REV.	DESCRIPTION	DATE	APPROVED
A	INITIAL RELEASE	11-21-02	
B	CO 013 Drafting Update	04-25-05	Rick C.



UNLESS OTHERWISE SPECIFIED DIMENSIONS ARE IN INCHES TOLERANCES ARE:		VALUE PLASTICS, INC.	
FRACTIONS ±	DECIMALS .XX ±.01 .XXX ±.005 .XXXX ±.001	ANGULAR ±1°	PART NUMBER: MTL220
DO NOT SCALE DRAWING		DESCRIPTION: Male Luer Integral Lock Ring to 200 Series Barb, 3/32" (2.25 mm) ID Tubing	
DRAWN BY: Frank Lombardi 4-18-05	DATE:	SIZE: B	SCALE: NTS
ENGINEER Manager: Rick Cairns		DRAWING NUMBER: 1005267	REV. B
		© 2004 VALUE PLASTICS, INC.	SHEET: 1 OF 1

FOR REFERENCE ONLY