

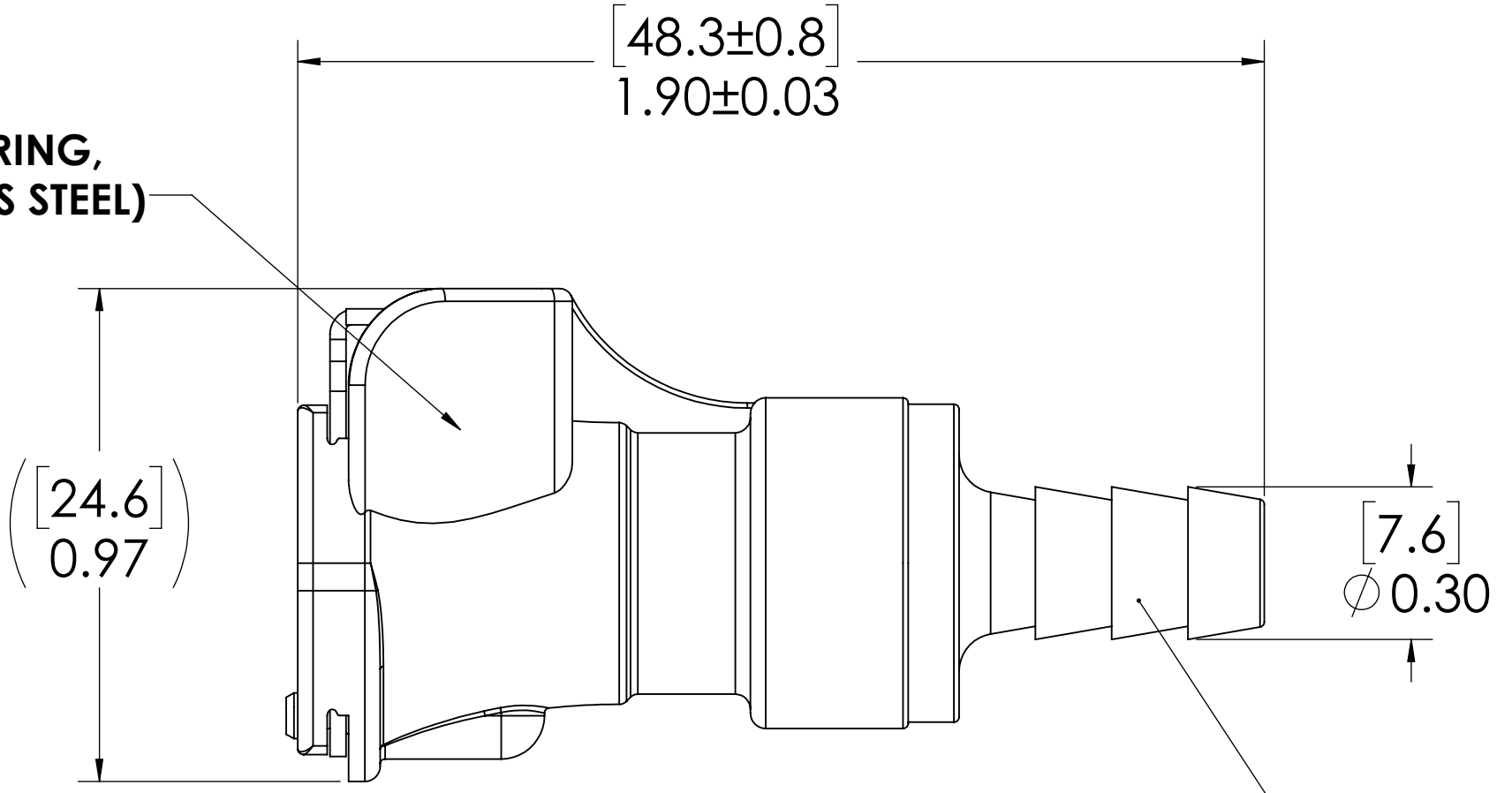
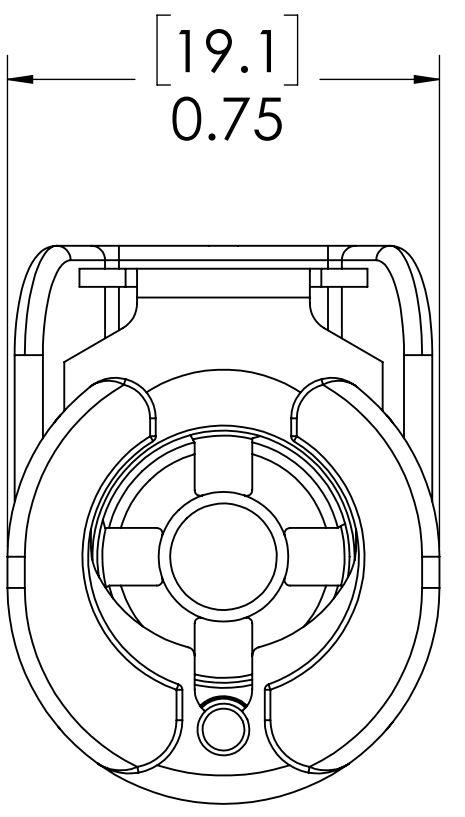
REVISIONS						
SHEET	ZONE	REV.	ECO	DESCRIPTION	DATE	APPROVED
1	ALL	A	50242	UPDATE DWG FORMAT, BOM, AND NOTES		HRC

LATCH HARDWARE,
(STAINLESS STEEL)

SOCKET,
(ACETAL)

LATCH SPRING,
(STAINLESS STEEL)

1/4" TUBE ID



NOTES:

1. MATERIAL: ACETAL
2. COLOR: NATURAL WHITE

FOR REFERENCE ONLY

<small>UNLESS OTHERWISE SPECIFIED: DIMENSIONS ARE IN INCHES TOLERANCES: FRACTIONAL ± 1/32 ANGULAR: MACH ± 0.5 BEND ± 2 ONE PLACE DECIMAL ± 0.1 TWO PLACE DECIMAL ± 0.01 THREE PLACE DECIMAL ± 0.005 TWO PLACE DUAL (mm) [± 0.12]</small>	DRAWN	CKE	5-23-17	
	CHECKED	HRC	5-23-17	
	ENG APPR.	HRC	6/27/17	
	MFG APPR.	BDB	6/27/17	
<small>PROPRIETARY AND CONFIDENTIAL THE INFORMATION CONTAINED IN THIS DRAWING IS THE SOLE PROPERTY OF LINKTECH LLC. ANY REPRODUCTION OR DISCLOSURE IN PART OR AS A WHOLE WITHOUT THE WRITTEN PERMISSION OF LINKTECH LLC IS STRICTLY PROHIBITED.</small>	Q.A.	JJB	6/27/17	PART NO: 40AC-S2-04
<small>COMMENTS:</small>				DESCRIPTION: LinkTech 40AC Series Straight Female, Non-valved, 1/4" HB, Natural Acetal
SIZE DWG. NO.		REV		C 40AC400195 A
<small>SCALE: NTS</small>		<small>WEIGHT:</small>		<small>SHEET 1 OF 1</small>