

# CQH/CQV SERIES CONNECTOR



The **CQH and CQV Series** are designed for high-purity use and feature all plastic construction. Molded, virgin materials and lubricant-free design enable use in the most demanding applications. Broad chemical compatibility and cleanroom manufacturing make them ideal for use in critical wet processes.

## FEATURES

- 100% metal free
- High flow valve design
- Disconnect under pressure
- Polypropylene and PVDF

## BENEFITS

- No risk of metal contaminants or corrosion
- High flow in a compact package
- Speeds servicing and reduces risk of injury
- Broad chemical compatibility

## Specifications ● ● ●

### CQH PRESSURE:

0 - 80 psig (0 - 5.5 bar)

### CQH TEMPERATURE:

32°F to 225°F (0°C to 107°C)

### CQH MATERIALS:

**Main components:** Natural, virgin polypropylene  
**Valve o-rings:** FKM (black)  
**External insert o-ring:** Simriz® FFKM perfluoro black)  
**Valve (wetted) and thumb latch spring:** PEEK®  
**Flare nuts:** PVDF  
**Lubricants:** None used

### CQV PRESSURE:

0 - 80 psig (0 - 5.5 bar)

### CQV TEMPERATURE:

0°F to 225°F (-18°C to 107°C)

### CQV MATERIALS:

**Main components:** Natural, virgin PVDF  
**Valve o-rings:** Chemraz FFKM perfluoro (white)  
**External insert o-ring:** Chemraz FFKM perfluoro (white)  
**Valve (wetted) and thumb latch spring:** PEEK  
**Flare nuts:** PVDF  
**Lubricants:** None used

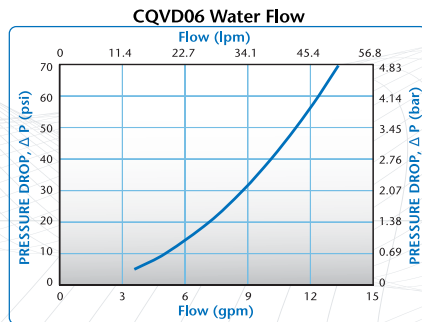
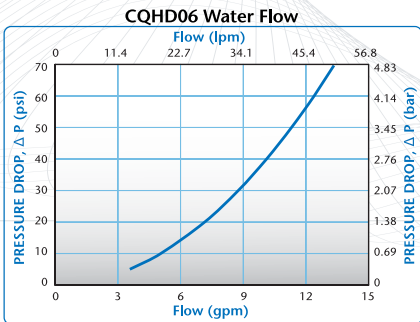
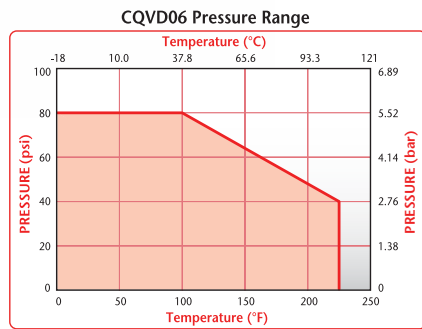
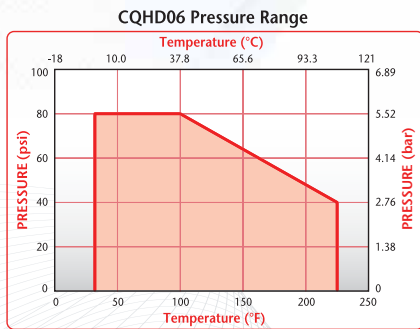
### SPILLAGE/AIR INCLUSION:

~1.5 cc (ml)/disconnect (reconnect)

### TUBING SIZES:

1/4" to 1/2" flare; 3/8" to 3/4" NPT

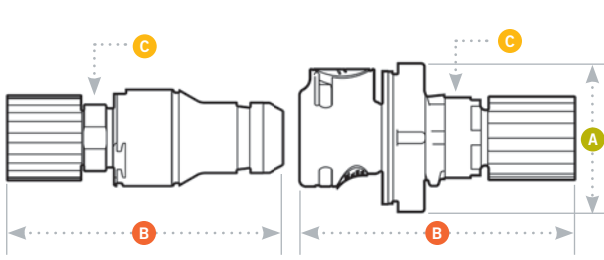
**NOTE:** CQH & CQV are also available with optional PPS springs and Chemraz FFKM or EPDM seals.



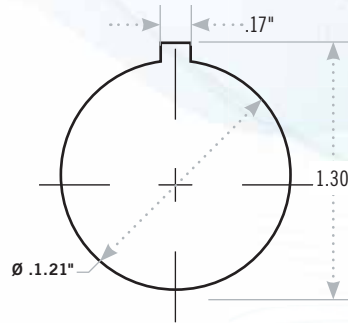
These graphs are intended to give you a general idea of the performance capabilities of each product line. The shaded area of each graph represents the operating range of the product family, i.e., upper and lower values are shown. Therefore, depending on the exact coupling configurations selected, you can reasonably expect values to fall within the shaded area.



# CQH/CQV SERIES CONNECTOR DIMENSIONS



- A** = Height/Diameter
- B** = Total Length (including valve)
- C** = Hex Size on Main Component



Gasket Thickness: .06"  
 Mounting Hole: 1.21" diameter  
 Coupling Spacing: 1.92" minimum  
 Panel Thickness: .25"

	PANEL OPENING	PANEL THICKNESS MAX.-MIN.
COUPLING BODIES	see drawing	.25 - .03

## CQH Coupling Bodies • POLYPROPYLENE

TERMINATION	TUBING/THREAD SIZE	TERMINATION TYPE	SHUTOFF	A	B	C
IN-LINE	1/4" OD	Flare compression	CQHD06100104	1.44	3.32	
	3/8" OD	Flare compression	CQHD06100106	1.44	3.38	
	1/2" OD	Flare compression	CQHD06100108	1.44	3.38	
	3/8" Taper	Male NPT	CQHD06100206	1.44	2.73	1.00
PANEL MOUNT	1/4" OD	Flare compression	CQHD06110104	1.82	3.32	
	3/8" OD	Flare compression	CQHD06110106	1.82	3.38	
	1/2" OD	Flare compression	CQHD06110108	1.82	3.37	
	3/8" Taper	Male NPT	CQHD06110206	1.82	2.73	1.00

## CQH Coupling Inserts • POLYPROPYLENE

TERMINATION	TUBING/THREAD SIZE	TERMINATION TYPE	SHUTOFF	A	B	C
IN-LINE	1/4" OD	Flare compression	CQHD06200104	1.00	2.49	
	3/8" OD	Flare compression	CQHD06200106	1.00	2.55	
	1/2" OD	Flare compression	CQHD06200108	1.00	2.56	
	3/8" Taper	Male NPT	CQHD06200206	1.16	1.90	1.00
	3/4" Taper	Male NPT	CQHD06200212	1.16	2.26	1.00

## CQV Coupling Bodies • PVDF

TERMINATION	TUBING/THREAD SIZE	TERMINATION TYPE	SHUTOFF	A	B	C
IN-LINE	1/4" OD	Flare compression	CQVD06100104	1.44	3.31	
	3/8" OD	Flare compression	CQVD06100106	1.44	3.38	
	1/2" OD	Flare compression	CQVD06100108	1.44	3.37	
	3/8" Taper	Male NPT	CQVD06100206	1.44	2.70	1.00
PANEL MOUNT	1/4" OD	Flare compression	CQVD06110104	1.82	3.24	
	3/8" OD	Flare compression	CQVD06110106	1.82	3.38	
	1/2" OD	Flare compression	CQVD06110108	1.82	3.37	
	3/8" Taper	Male NPT	CQVD06110206	1.82	2.70	1.00

## CQV Coupling Inserts • PVDF

TERMINATION	TUBING/THREAD SIZE	TERMINATION TYPE	SHUTOFF	A	B	C
IN-LINE	1/4" OD	Flare compression	CQVD06200104	1.00	2.41	
	3/8" OD	Flare compression	CQVD06200106	1.00	2.57	
	1/2" OD	Flare compression	CQVD06200108	1.00	2.57	
	3/8" Taper	Male NPT	CQVD06200206	1.16	1.89	1.00

All measurements are in inches (millimeters) unless otherwise noted. Tubing must meet stated inside and outside diameters.