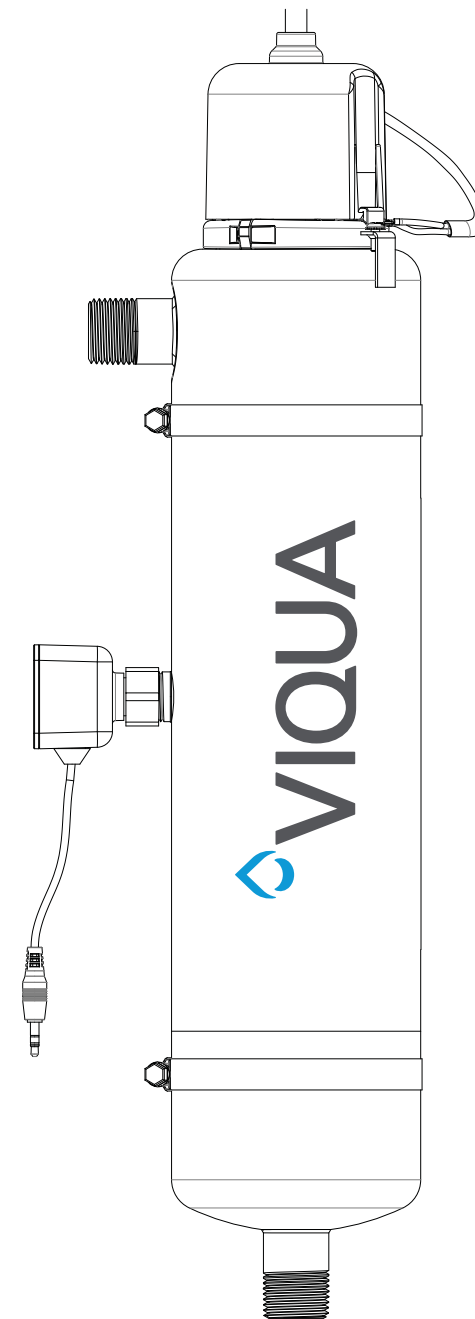


# Owner's Manual



**Model:**  
**D4, E4, F4**  
**+ Models:**  
**D4+, E4+, F4+**  
**Validated Models:**  
**D4-V, E4-V, F4-V**  
**D4-V+, E4-V+, F4-V+**

Powered by  




425 Clair Rd. W, Guelph, Ontario, Canada N1L 1R1  
 t. (+1) 519.763.1032 • f. (+1) 800.265.7246 (US and Canada only)  
 t. (+31) 73 747 0144 (Europe only) • f. (+1) 519.763.5069  
 e-mail: info@viqua.com  
 www.viqua.com

425 Clair Rd. W, Guelph, Ontario, Canada N1L 1R1  
 t. (+1) 519.763.1032 • f. (+1) 800.265.7246 (US et Canada seulement)  
 t. (+31) 73 747 0144 (Europe seulement) • f. (+1) 519.763.5069  
 Courriel : info@viqua.com  
 www.viqua.com

425 Clair Rd. W, Guelph, Ontario, Canadá N1L 1R1  
 t. (+1) 519.763.1032 • f. (+1) 800.265.7246 (solo EE. UU. y Canadá)  
 t. (+31) 73 747 0144 (solo Europa) • f. (+1) 519.763.5069  
 correo electrónico: info@viqua.com  
 www.viqua.com

425 Clair Rd. W, Guelph, Ontario, Canada N1L 1R1  
 t. (+1) 519.763.1032 • f. (+1) 800.265.7246 (US and Canada only)  
 t. (+31) 73 747 0144 (Europe only) • f. (+1) 519.763.5069  
 e-mail: info@viqua.com  
 www.viqua.com



**Congratulations** on the purchase of your ultraviolet (UV) water disinfection system! This system uses the most advanced UV technology on the market and is designed to provide you with years of trouble free operation with minimal maintenance required to protect your drinking water from microbiological contaminants.

To ensure ongoing disinfection of your water, UV lamps need to be replaced annually with VIQUA factory-supplied replacements. VIQUA lamps are the result of extensive development resulting in a highly efficient disinfection platform with extremely stable UV output over the entire 9000 hour lifetime. Its success has led to a proliferation of non-genuine copies in the market.

The UV lamp is the heart of the disinfection system, and there should be no compromise when it's time for a replacement.

Why should you insist on genuine factory supplied VIQUA replacement lamps?

- Use of widely available, non-genuine, replacement lamps has been shown to damage the control module of VIQUA UV disinfection equipment.
- An increasing number of calls to VIQUA Technical Support are connected with non-genuine lamps being used (unknowingly) as replacements.
- Damage arising from the use of non-genuine lamps poses a safety risk and is not covered by equipment warranty.
- Unless the UV equipment is equipped with a UV sensor (monitor), it is not possible to verify the UV (invisible) output of replacement lamps.
- Similar appearance to the original lamp and the presence of (visible) blue light does not mean equivalent disinfection performance.
- VIQUA replacement lamps undergo rigorous performance testing and strict quality control processes to ensure that the safety and performance certifications of the original equipment are not compromised.

So, you can see that it's simply not worth the risk! Insist on genuine VIQUA replacement lamps.

*Esta página está en blanco de forma intencional.*

## Sección 8 Garantía del fabricante

### Nuestro compromiso

VIQUA se compromete a asegurar que su experiencia con nuestros productos y organización superen sus expectativas. Hemos fabricado el sistema de desinfección UV según los más altos estándares y lo valoramos como cliente. Si necesitara soporte técnico o tiene preguntas acerca de su sistema, póngase en contacto con nuestro equipo de soporte técnico en el 1.800.265.7246 o en [technicalsupport@viqua.com](mailto:technicalsupport@viqua.com). Estaremos encantados de ayudarlo. Esperamos que disfrute de las ventajas que ofrece un agua potable limpia y segura después de la instalación del sistema de desinfección VIQUA.

### Cómo realizar una reclamación bajo garantía

**Nota:** Para maximizar el rendimiento de desinfección y la fiabilidad de su producto VIQUA, el sistema se debe dimensionar, instalar y mantener adecuadamente. En el manual del propietario encontrará información de utilidad sobre los parámetros de calidad del agua necesarios y los requisitos de mantenimiento.

En el caso de que se necesitara una reparación o reposición de piezas cubiertas bajo esta garantía, el proceso lo gestionará el distribuidor. Si no está seguro de si un problema o fallo del sistema está cubierto por la garantía, póngase en contacto con nuestro equipo de soporte técnico en el 1.800.265.7246 o por correo electrónico en la dirección [technicalsupport@viqua.com](mailto:technicalsupport@viqua.com). Nuestro técnicos completamente formados le ayudarán a resolver el problema e identificar una solución. Tenga a mano el número de modelo (tipo de sistema), la fecha de compra, el nombre del distribuidor al que adquirió el producto VIQUA ("distribuidor de origen") y una descripción del problema que está experimentando. Para establecer la prueba de compra al realizar una reclamación bajo garantía, necesitará su factura original, o bien deberá haber completado y enviado su tarjeta de registro de producto por correo postal o en línea.

### Cobertura específica de la garantía

La cobertura de la garantía es específica de la gama de productos de VIQUA. La cobertura de la garantía está sujeta a las condiciones y limitaciones establecidas en la sección "Condiciones y limitaciones generales".

#### Garantía limitada de diez años para la cámara UV de VIQUA

VIQUA garantiza que la cámara UV del producto VIQUA estará libre de defectos de material y mano de obra durante un período de diez (10) años desde la fecha de compra. Durante este período, VIQUA reparará o reemplazará, a su criterio, toda cámara UV VIQUA defectuosa. Devuelva la pieza defectuosa a su distribuidor, quién procesará su reclamación.

#### Garantía limitada de tres años para los componentes eléctricos y de hardware

VIQUA garantiza que los componentes eléctricos (controlador) y de hardware estarán libres de defectos de material y mano de obra durante un período de tres (3) años desde la fecha de compra. Durante este período, VIQUA reparará o reemplazará, a su criterio, toda pieza defectuosa cubierta por la garantía. Devuelva la pieza defectuosa a su distribuidor, quién procesará su reclamación.

#### Garantía limitada de un año para lámparas, vainas tubulares y sensores UV

VIQUA garantiza que las lámparas, vainas tubulares y sensores UV estarán libres de defectos de material y mano de obra durante un período de un (1) año desde la fecha de compra. Durante este período, VIQUA reparará o reemplazará, a su criterio, toda pieza defectuosa cubierta por la garantía. Su distribuidor procesará su reclamación y ofrecerá consejos sobre si el artículo defectuoso se debe devolver para realizar un análisis de fallos.

**Nota:** Utilice únicamente lámparas y vainas tubulares de reposición VIQUA originales en el sistema. El incumplimiento de este requisito podría poner en riesgo el rendimiento de la desinfección y afectar a la cobertura de la garantía.

### Condiciones y limitaciones generales

Ninguna de las garantías anteriores cubre los daños provocados por el uso o mantenimiento inadecuados, accidentes, actos de la naturaleza o arañazos e imperfecciones menores que no afectan materialmente el funcionamiento del producto. Las garantías tampoco cubren los productos que no se han instalado según las instrucciones del manual del propietario correspondiente.

Las piezas reparadas o reemplazadas según estas garantías serán cubiertas bajo garantía hasta el final del período de garantía aplicable a la pieza original.

Las garantías anteriores no incluyen los gastos de envío y manipulación de los artículos devueltos

Las garantías limitadas que se describen anteriormente solo se aplican a la gama de productos de VIQUA. En estas garantías limitadas se describe el único recurso para todas las reclamaciones basadas en un fallo o defecto de cualquiera de estos productos, ya sea que la reclamación se base en contrato, agravio (incluida la negligencia), responsabilidad estricta u otro. Estas garantías reemplazan a todas las demás garantías escritas, orales, implícitas o reglamentarias. No corresponde, sin limitación, ninguna garantía de comerciabilidad o aptitud para un propósito particular a ninguno de estos productos.

VIQUA no asume ninguna responsabilidad por lesiones o daños a la propiedad causados por el uso o el mal uso de cualquiera de los productos mencionados anteriormente. VIQUA no será de ningún modo responsable de los daños especiales, incidentales, indirectos o consecuentes. La responsabilidad de VIQUA se limitará, en todos los casos, a la reparación o reposición del producto o la pieza defectuosa y esta responsabilidad finalizará al finalizar el período de garantía aplicable.


















## Section 1 Safety Information

Please read this entire manual before operating this equipment. Pay attention to all danger, warning, and caution statements in this manual. Failure to do so could result in serious personal injury or damage to the equipment.

Make sure that the protection provided by this equipment is not impaired. Do not use or install this equipment in any manner other than that specified in the installation manual.

### 1.1 Potential Hazards

Read all labels and tags attached to the system. Personal injury or damage to the system could occur if not observed.

	Waste electrical and electronic equipment (WEEE). This symbol indicates that you should not discard wasted electrical or electronic equipment (WEEE) in the trash. For proper disposal, contact your local recycling/reuse or hazardous waste center.		This symbol indicates not to store any combustible or flammable material close to the system.
	This symbol indicates there is Mercury present.		This symbol indicates that the contents of the transport package are fragile and the package should be handled with care.
	This is the safety alert symbol. Obey all safety messages that follow this symbol to avoid potential injury. When on the equipment, refer to the Operational and Maintenance manual for additional safety information.		This symbol indicates safety glasses with side protection is required for protection against UV exposure.
	This symbol indicates a risk of electrical shock and/or electrocution exists.		This symbol indicates gloves must be worn.
	This symbol indicates the marked equipment may contain a component that can eject forcibly. Obey all procedures to safely depressurize.		This symbol indicates safety boots must be worn.
	This symbol indicates the system is under pressure.		This symbol indicates the operator must read all available documentation to perform required procedures.
	This symbol indicates there is a potential UV hazard. Proper protection must be worn.		This symbol indicates the plumber must use copper piping.
	This symbol indicates the marked item could be hot and should not be touched without care.		This symbol indicates that the system should only be connected to a properly grounded, grounding-type controller receptacle that is protected by a Ground Fault Circuit Interrupter (GFCI).
	This symbol indicates there is a potential for VERY hot water when flow is started.		

**Warning:** This product may contain chemicals known to the State of California to cause cancer and birth defects or other reproductive harm.

### 1.2 Safety Precautions

**⚠ DANGER**

Failure to follow these instructions will result in serious injury or death.

- Electric Shock:** To avoid possible electric shock, special care should be taken since water is present near the electrical equipment. Unless a situation is encountered that is explicitly addressed by the provided maintenance and troubleshooting sections, do not attempt repairs yourself, refer to an authorized service facility.
- GROUNDING:** This product must be grounded. If it should malfunction or breakdown, grounding provides a path of least resistance for electric current to reduce the risk of electrical shock. This system is equipped with a cord having an equipment-grounding conductor and a grounding plug. The plug must be plugged into an appropriate outlet that is properly installed and grounded in accordance with all local codes and ordinances. Improper connection of the equipment-grounding conductor can result in a risk of electrocution. Check with a qualified electrician or service personnel if you are in doubt as to whether the outlet is properly grounded. Do not modify the plug provided with this system – if it does not fit in the outlet, have a proper outlet installed by a qualified electrician. Do not use any type of adapter with this system.
- GROUND FAULT CIRCUIT INTERRUPTER PROTECTION:** To comply with the National Electrical Code (NFPA 70) and to provide additional protection from the risk of electric shock, this system should only be connected to a properly grounded, grounding-type controller receptacle that is protected by a Ground Fault Circuit Interrupter (GFCI). Inspect operation of GFCI as per manufacturer's suggested maintenance schedule.
- DO NOT operate the disinfection system if it has a damaged cord or plug, if it is malfunctioning or if it has been dropped or damaged in any manner.
- DO NOT use this disinfection system for other than intended use (potable water applications). The use of attachments not recommended or sold by the manufacturer / distributor may cause an unsafe condition.
- DO NOT install this disinfection system where it will be exposed to the weather or to temperatures below freezing.
- DO NOT store this disinfection system where it will be exposed to the weather.
- DO NOT store this disinfection system where it will be exposed to temperatures below freezing unless all water has been drained from it and the water supply has been disconnected.

**⚠ WARNING**



During extended periods of no water flow, the water in your chamber can become very hot (Approx. 60 °C) and potentially lead to scalding. It is recommended to run your water until this hot water has been purged from your chamber. Do not allow water to contact your skin during this time. To eliminate this condition, a temperature management valve can be installed at the outlet of your UV system.

**⚠ CAUTION**



Failure to follow these instructions could result in minor or moderate injury.

- Carefully examine the disinfection system after installation. It should not be plugged in if there is water on parts not intended to be wet such as, the controller or lamp connector.
- Due to thermal expansion concerns and potential material degradation due to UV exposure, it is recommended to use metal fittings and at least 10" of copper pipe on the outlet of your UV chamber.

**NOTICE**



- The UV lamp inside the disinfection system is rated at an effective life of approximately 9000 hours. To ensure continuous protection, replace the UV lamp annually.
- The UV system is not to be used or played with by children. Persons with reduced physical, sensory or mental capabilities, or lack of experience and knowledge, are also not to handle the UV system unless they have been given supervision or instruction.
- EXTENSION CORDS:** If an extension cord is necessary, use only 3-wire extension cords that have 3-prong grounding-type plugs and 3-pole cord connectors that accept the plug from this system. Use only extension cords that are intended for outdoor use. Use only extension cords having an electrical rating not less than the rating of the system. A cord rated for less amperes or watts than this system rating may overheat. Exercise caution when arranging the cord so that it will not be tripped over or pulled. DO NOT use damaged extension cords. Examine extension cord before using and replace if damaged. DO NOT abuse extension cord. Keep extension cord away from heat and sharp edges. Always disconnect the extension cord from the receptacle before disconnecting this system from the extension cord. Never yank cord to pull plug from outlet. Always grasp the plug and pull to disconnect.
- SYSTEM PROTECTION:** To protect your Controller, a UL1449 certified (or equivalent) transient voltage surge suppressor is strongly recommended.
- The UV lamp in this system conforms to the applicable provisions of the Code of Federal Regulations (CFR) requirements including, Title 21, Chapter 1, Subchapter J, Radiological Health.
- Read and understand the Owner's Manual before operating and performing any maintenance on this equipment.

**1.3 Water Chemistry**

Water quality is extremely important for the optimum performance of your UV system. The following levels are recommended for installation:

Water Quality and Minerals	Level
Iron	< 0.3 ppm (0.3 mg/L)
Hardness*	< 7 gpg (120 mg/L)
Turbidity	< 1 NTU
Manganese	< 0.05 ppm (0.05 mg/L)
Tannins	< 0.1 ppm (0.1 mg/L)
UV Transmittance	> 75% (call factory for recommendations on applications where UVT < 75%)

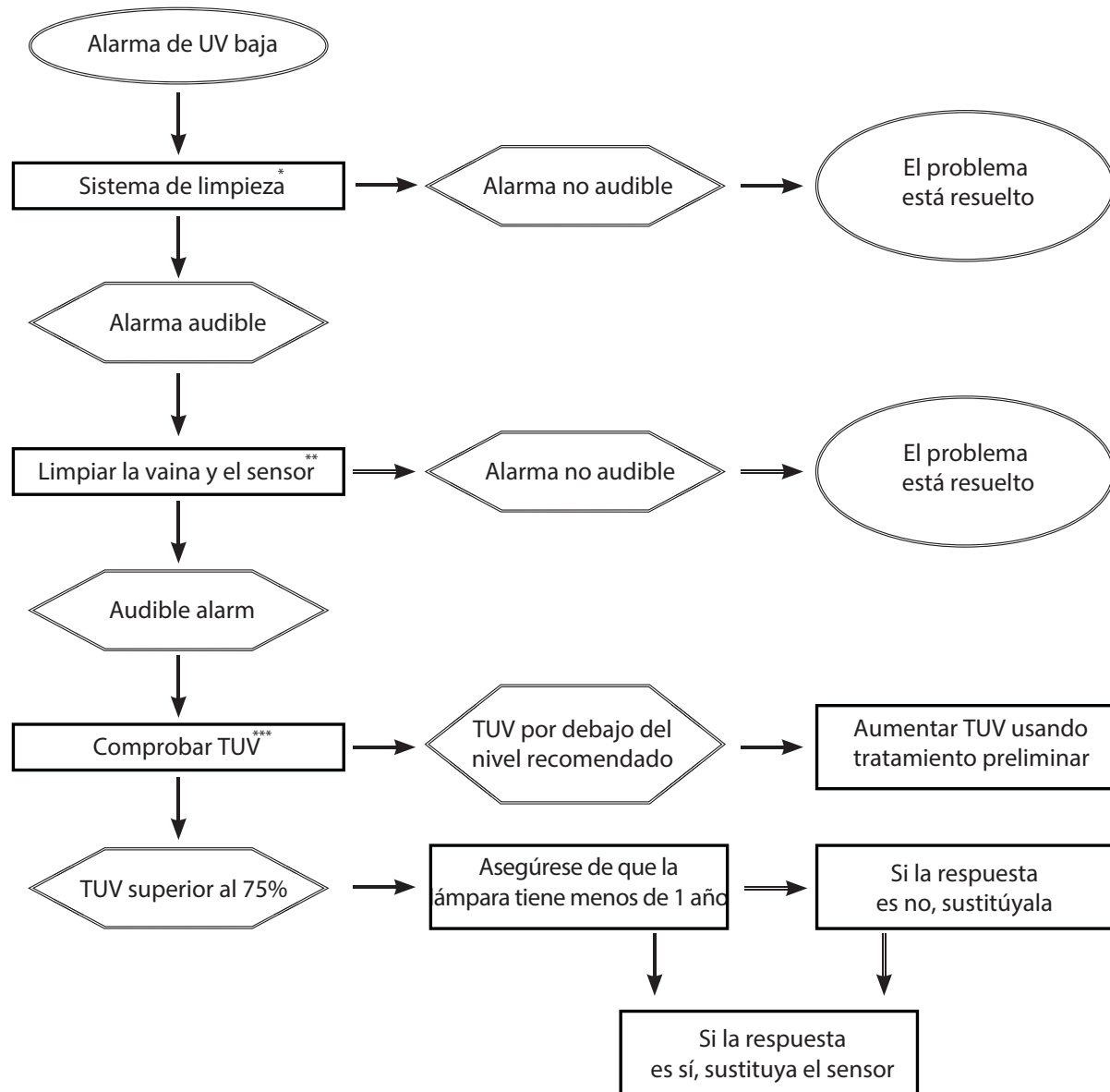
\* Where total hardness is less than 7 gpg, the UV unit should operate efficiently provided the quartz sleeve is cleaned periodically. If total hardness exceeds 7 gpg, the water should be softened. If your water chemistry contains levels in excess of those mentioned above, proper pre-treatment is recommended to correct these water problems prior to the installation of your UV disinfection system. These water quality parameters can be tested by your local dealer, or by most private analytical laboratories. *Proper pre-treatment is essential for the UV disinfection system to operate as intended.*

**Sección 7 Especificaciones**

Parámetros de funcionamiento	General (todos los modelos)	Modelos validados de acuerdo con la normativa NSF estándar 55 Clase B (-V)
Presión máxima de funcionamiento	125 PSI (862 kPa)	125 PSI (862 kPa)
Presión mínima de funcionamiento	4 PSI (27,5 kPa)	4 PSI (27,5 kPa)
Temperatura máxima del aire ambiental	50 °C (122 °F)	50 °C (122 °F)
Temperatura mínima del aire ambiental	0 °C (32 °F)	0 °C (32 °F)
Humedad máxima	100%	100%
Dureza máxima	120 ppm (7 granos por 3,79 litros)	120 ppm (7 granos por 3,79 litros)
Nivel máximo de hierro	0,3 ppm	0,3 ppm
Transmisión UV mínima	75%	75%
Instalación	Vertical u horizontal*	Vertical u horizontal*
Limitador de caudal	-	Sí
Verificación NSF	-	Normativa NSF estándar 55 clase B
Ciclo de vida nominal de la lámpara	1 año	1 año
Certificación del sistema UV		

Modelo		D4/D4+ D4-V/D4-V+	E4/E4+ E4-V/E4-V+	F4/F4+ F4-V/F4-V+
Caudal	Caudal máximo a una dosis de 16 mJ/cm <sup>2</sup> @ 95% UVT	23 gpm (87 lpm) (5,22 m <sup>3</sup> /h)	42 gpm (160 lpm) (9,54 m <sup>3</sup> /h)	45 gpm (170 lpm) (10,22 m <sup>3</sup> /h)
	Caudal máximo a una dosis de 30 mJ/cm <sup>2</sup> @ 95% UVT	12 gpm (45 lpm) (2,73 m <sup>3</sup> /h)	22 gpm (83 lpm) (5 m <sup>3</sup> /h)	36 gpm (136 lpm) (8,18 m <sup>3</sup> /h)
	Caudal máximo a una dosis de 40 mJ/cm <sup>2</sup> @ 95% UVT	9 gpm (34 lpm) (2,04 m <sup>3</sup> /h)	16 gpm (60 lpm) (3,63 m <sup>3</sup> /h)	27 gpm (102 lpm) (6,13 m <sup>3</sup> /h)
	Caudal máximo según NSF 55 horas, Clase B (solo versiones -V)	8,9 gpm (33,7 lpm) (2,02 m <sup>3</sup> /h)	15,8 gpm (59,8 lpm) (3,6 m <sup>3</sup> /h)	26,1 gpm (98,8 lpm) (5,93 m <sup>3</sup> /h)
Eléctrico	Voltaje	CA de 100 a 240 V	CA de 100 a 240 V	CA de 100 a 240 V
	Frecuencia	50 a 60 Hz	50 a 60 Hz	50 a 60 Hz
	Corriente máxima	0,5 Amp	0,85 Amp	1,2 Amp
	Consumo eléctrico máximo	50 vatios	83 vatios	130 vatios
Otros	Potencia de la lámpara	40 vatios	70 vatios	110 vatios
	Material de la cámara UV	304 SST	304 SST	304 SST
	Entrada/salida	NPT de 1,905 cm	NPT de 2,54 cm (1")	NPT de 2,54 cm (1")

6.1 Alarmas de UV baja (solo modelos +) Certificados y no certificados



\* En algunos casos, se pueden crear flujos de corto plazo del agua de baja transmitancia ultravioleta (TUV) después y durante el ciclo de regeneración de un descalcificador de agua, lo que provoca la activación de una alarma del sensor. La limpieza del sistema UV alivia esta condición, hasta que el ablandador pase por otro ciclo de regeneración. A más largo plazo, se deben modificar los ajustes del ablandador. Para limpiar el sistema UV, desinfecte las líneas de agua. Consulte [Sección 3.2](#).

\*\* Consulte [Sección 4.1](#).

\*\*\* Póngase en contacto con VIQUA o con su distribuidor de tratamiento de aguas para realizar una prueba de TUV en el agua.

Section 2 General Information

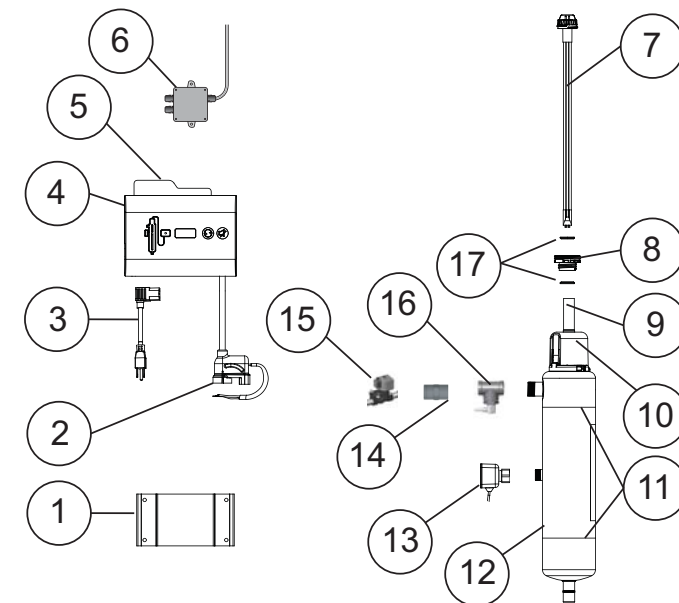


Figure 1 Model Components

Item	Description	Part Number	UV Systems
1	Controller mounting bracket	-	Used for all models
2	Lamp cord	-	Used for all models
3	Power cord	602636 (120V)	Used for 120V models
		602637 (230V)	Used for 230V models
4	Controller (includes controller mounting bracket, reference card, safety cap, lamp cord)	650713-007	Used for all models
5	Reference card	603069	Used for all models
6	Junction box (optional)	650705	Used for all models
7	Lamp (includes O-rings)	602805	D4, D4+, D4-V, D4-V+
		602806	E4, E4+, E4-V, E4-V+
		602807	F4, F4+, F4-V, F4-V+
8	Sleeve bolt	602665	Used for all models
9	Sleeve (includes O-rings)	602732	D4, D4+, D4-V, D4-V+
		602733	E4, E4+, E4-V, E4-V+
		602734	F4, F4+, F4-V, F4-V+
10	Safety cap	603000	Used for all models
11	Chamber clamp(s)	-	Used for all models
12	UV Chamber	650712-001	E4, E4-V
		650712-002	E4+, E4-V+
		650712-005	F4, F4-V
		650712-006	F4+, F4-V
		650712-013	D4, D4-V
		650712-014	D4+, D4-V+
13	Sensor	650703	Plus models
14	Flow Restrictor*	440267-R	D4-V, D4-V+
		440268-R	E4-V, E4-V+
		440269-R	F4-V, F4-V+

## General Information

Item	Description	Part Number	UV Systems
15	Solenoid valve kit (optional) (includes junction box)	650717-001	D4 (3/4")
		650717-002	E4, F4, F4+ (1")
16	CoolTouch valve (optional)	650537	D4, D4+, D4-V, D4-V+ (3/4")
		650538	E4, E4+, E4-V, E4-V+, F4+(1") F4-V (1"), F4-V+ (1")
17	O-ring	002026	Used for all models

To find out what model you have, look at the label on the side of the controller as depicted below:



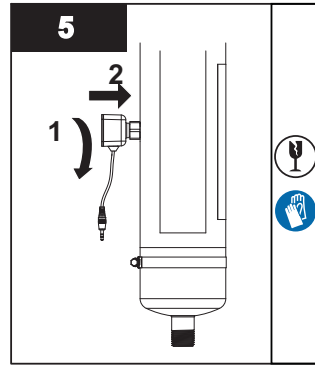
Figure 2 Model D/E/F- Controller Components

Operating Parameters	D4/D4+/D4-V/D4-V+	E4/E4+/E4-V/E4-V+	F4/F4+/F4-V/F4-V+
No-tools maintenance	Yes	Yes	Yes
Safety cap & special lamp plug	Yes	Yes	Yes
Lamp operation indicator	Yes	Yes	Yes
Controller operation indicator	Yes	Yes	Yes
Sensor operation indicator	D4+	E4+	F4+
Sensor	D4+	E4+	F4+
Reference card	Yes	Yes	Yes
Lamp timer display	Yes	Yes	Yes
Lamp timer reset button	Yes	Yes	Yes
Mute button	Yes	Yes	Yes
Solenoid valve	Optional	Optional	Optional
External control relay	Optional	Optional	Optional

## Solución de problemas

### Sección 6 Solución de problemas

Síntoma	Causa probable	Posible solución
Sin potencia	Disparo del GFCI o contacto	Restablecer el GFCI o contacto.
	Supresor de tensiones transitorias (TVSS) dañado	Reemplazar TVSS
	Controlador dañado	Reemplazar el controlador y usar TVSS
Disparo repetido del GFCI o contacto	La conexión entre la lámpara y el enchufe de la lámpara está mojada	Limpiar y secar las clavijas de la lámpara y el enchufe de la lámpara; inspeccionar la unidad en búsqueda de fugas o condensación
	Cortocircuito en el conjunto eléctrico	Reemplazar el controlador
Fuga en la entrada o salida	Hay una fuga en los accesorios de canalización con rosca	Limpiar las roscas, volver a sellar con cinta Teflon y volver a apretar
Fuga detectada en el área de la cámara UV	Condensación de aire húmedo en la cámara fría (acumulación lenta)	Controlar la humedad o cambiar la ubicación de la unidad.
	Junta tórica dañada, deteriorada o instalada de manera incorrecta	Inspeccionar la junta y reemplazar si está deteriorada.
	Conjunto de lámpara/vaina tubular no instalado correctamente (demasiado o insuficientemente apretado)	Apretar el conjunto con la mano.
Fuga detectada en el sensor (si lo tiene)	Las juntas tóricas del sensor UV están dañadas, deterioradas o mal instaladas	Inspeccionar las juntas tóricas y reemplazar si están deterioradas
Alarma	Consulte <a href="#">Sección 4.1</a> .	Consulte <a href="#">Sección 4.1</a> .
El sistema funciona pero las pruebas de agua indican contaminación bacteriana	Los equipos instalados aguas abajo del sistema UV funcionan como caldo de cultivo de agentes patógenos	Asegurarse de que UV sea el último equipo de tratamiento.
	Hay agentes patógenos que residen en las líneas de distribución posteriores al tratamiento UV	Asegurarse de que todas las líneas de distribución se hayan desinfectado con cloro. Consulte <a href="#">Sección 3.2</a> .
	Recontaminación de extremos sin salida de la canalización	Quitar los extremos sin salida de la canalización y enjuagar con cloro. Consulte <a href="#">Sección 3.2</a> .
El temporizador de la lámpara no realiza ninguna lectura	La unidad está desenchufada.	Enchufar la unidad a una toma de corriente de CA
	La toma de corriente de CA no tiene alimentación	Reemplazar el fusible o restablecer el contacto
	El cable de alimentación está dañado	Reemplazar el cable de alimentación
	Una subida de tensión causó daños al conjunto eléctrico	Reemplazar el controlador y usar un protector de sobretensiones (TVSS)



- Vuelva a instalar el sensor UV.
- Cuando haya finalizado el servicio, realice los pasos que aparecen en los requisitos previos en orden inverso al desmontaje.

**Notas:** 1) Tras reemplazar la lámpara UV o realizar el procedimiento de desinfección de la vaina tubular de cuarzo, consulte [Sección 3.2](#).

2) Si el sistema se desvía temporalmente o si se contamina después del sistema de desinfección, es necesario completar el procedimiento de desinfección, consulte [Sección 3.2](#).

2.1 Dimensions and Layout

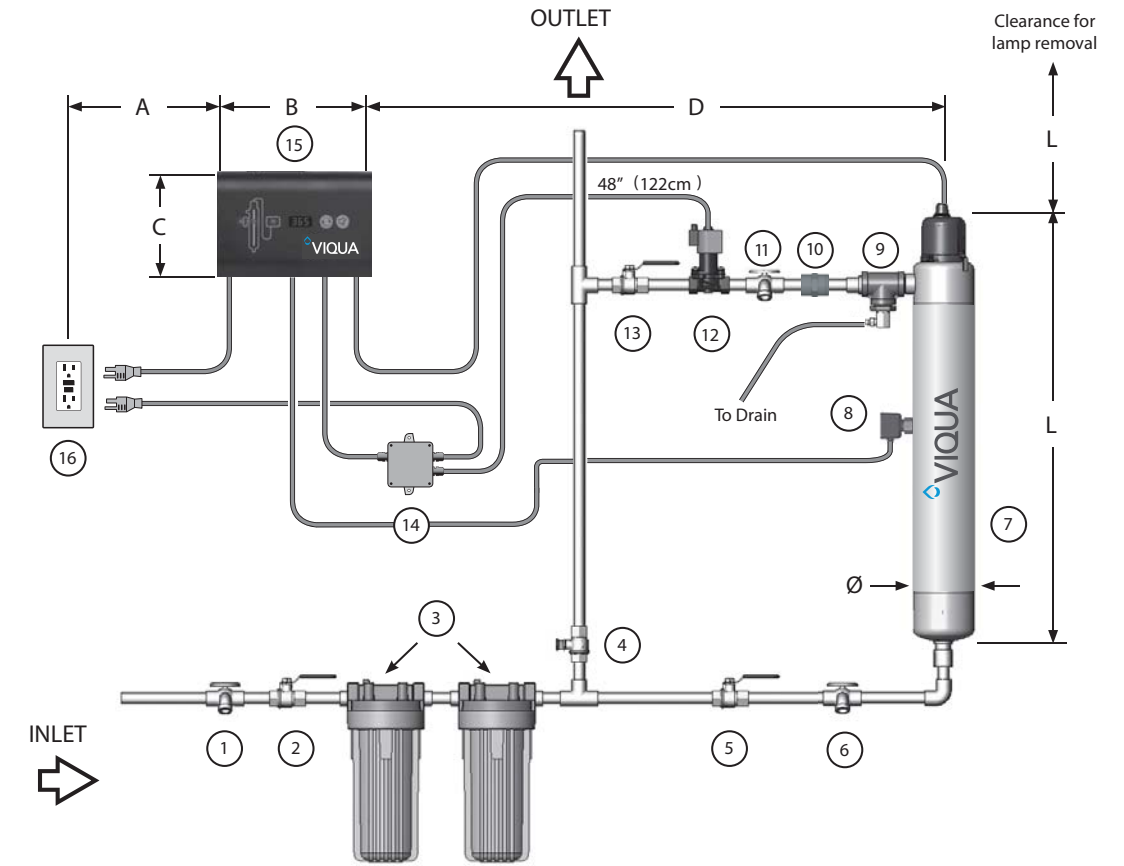


Figure 3 System - Dimension and Layouts

Item	Description	Function
1	Sample valve	Allows for sampling of raw water.
2	Shut-off valve	Required to allow maintenance of pre-treatment equipment.
3	Pre-treatment	Refer to <a href="#">Section 1.3</a> . <b>Note:</b> A 5 micron (nominal) sediment filter must be installed before the UV system and after any water softening equipment.
4	Bypass shut-off valve	Bypass line and valve are optional. Intended to provide emergency water supply in the event that the UV system is unavailable.
5	Shut-off valve	Required to allow maintenance of UV system.
6	Sample valve	Allows for sampling of water entering UV chamber; necessary in order to confirm water being treated is of adequate quality.
7	UV chamber	Provides disinfection of the water. Must install + model chambers vertically.
8	Sensor	Optional item included with + models. Monitors UV output to ensure proper dose (UV exposure) is being provided.
9	CoolTouch™ valve	Drains water from the chamber that's been warmed by the lamp during periods of no flow.
10	Flow Restrictor	Restricts water from flowing over the maximum NSF certified flow rate ensuring an adequate UV dose is maintained.
11	Sample valve	Allows for sampling of water immediately following UV treatment; necessary in order to confirm proper operation of UV system.
12	Solenoid valve	Optional piece of equipment must be used with a junction box. Allows water supply to be shut-off when proper disinfection cannot be assured. <b>Note:</b> If the ground from your electrical panel is tied to your copper water lines, and you are using a solenoid valve, installation of an approved ground strap is required. This ground strap will maintain continuity between the lines that have been cut to install the solenoid. Check your local electrical code for the correct clamp and cable size.
13	Shut-off valve	Required to allow maintenance of UV system.

Item	Description	Function
14	Junction box	Optional - Powers solenoid valves, remote alarms and auto-dialers.
15	Controller	Powers and controls the UV lamp and other devices. Provides human interface, displaying information and allowing control inputs (such as muting the audible alarm).
16	Power source	Provides power to the controller. For safety reasons the outlet must be protected by a Ground Fault Circuit Interrupter (GFCI). NOTE: to protect the controller, a UL1449 certified (or equivalent) transient voltage surge suppressor is required.

Model	L	Ø	A (maximum)	B	C	D (maximum)
D4/D4+/D4-V/D4-V+	20.5" (52cm)	4" (10cm)	72" (183cm)	8.5" (22cm)	6" (15cm)	54" (137cm)
E4/E4+/E4-V/E4-V+	30" (76cm)	4" (10cm)	72" (183cm)	8.5" (22cm)	6" (15cm)	54" (137cm)
F4/F4+/F4-V/F4-V+	44.25" (112.4cm)	4" (10cm)	72" (183cm)	8.5" (22cm)	6" (15cm)	54" (137cm)

## Section 3 Installation

### CAUTION

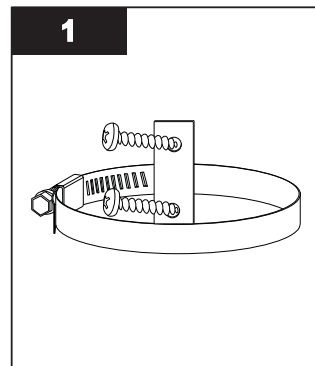
Electronic controller must be connected to a Ground Fault Protected Circuit (GFCI) receptacle. Ensure green ground wire ring terminal is securely fastened to ground stud on UV chamber.

### 3.1 Installing UV System

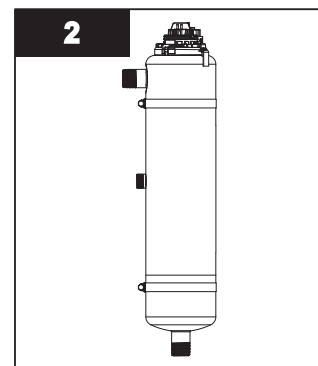
#### Prerequisites:

- Determine appropriate indoor location of the controller and chamber. Refer to [Figure 3](#).
- Ensure adequate clearance above chamber to allow for removal of the lamp and sleeve.
- Make sure to turn off the main water supply.
- Mount the system to the wall with appropriate lag bolts through the two mounting holes located on the metal bracket. The supplied lag bolts are suitable for attachment to wood. (Attachments to other materials will require purchasing of alternative hardware).
- Make all necessary plumbing connections. Refer to [Figure 3](#).

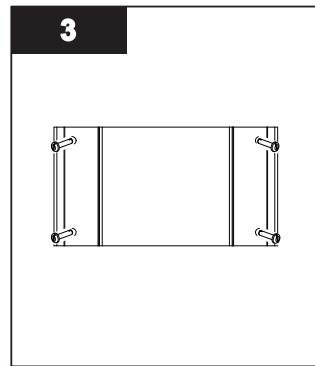
#### Procedure:



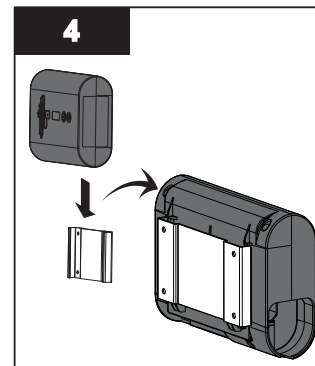
- Screw chamber clamp(s) to the wall (#10 screws recommended.)



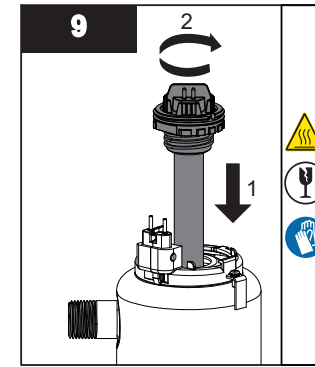
- Insert chamber and tighten clamp(s).
- Make all necessary plumbing connections. Refer to [Section 2.1](#).



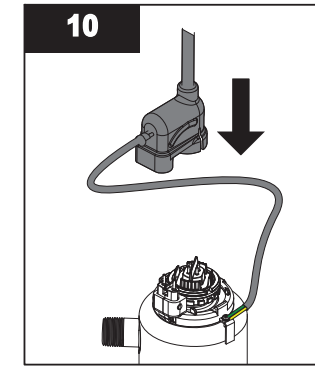
- Mount controller mounting bracket to wall using four #8 screws (not provided).



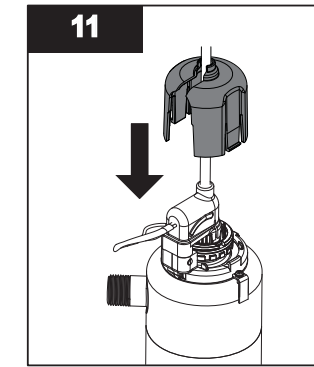
- Slide controller onto mounting bracket.



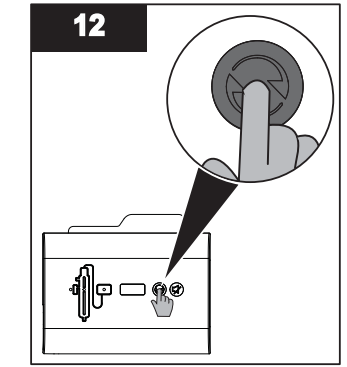
- Introduzca y asegure el ensamblaje de la lámpara/vaina tubular.
- Nota:** Si se aprieta demasiado, se romperá la vaina.



- Alinee las conexiones mediante la abrazadera de anillo de rotación e instale el enchufe de la lámpara.



- Introduzca la tapa de seguridad.



- Restaure la energía.
- Si se ha insertado la lámpara nueva, mantenga pulsado el botón de restablecimiento del temporizador de la lámpara durante 5 segundos. La pantalla debería mostrar 365.
- Abra todos los grifos y entradas de agua. Examine si hay fugas.

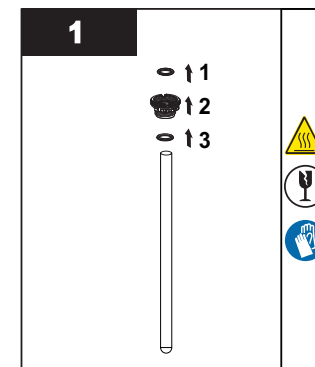
### 5.2 Limpieza y reposición de la vaina tubular de cuarzo

**Nota:** Los minerales del agua van formando lentamente una capa en la vaina tubular de cuarzo de la lámpara. Esta capa debe retirarse porque reduce la cantidad de luz UV que llega al agua, reduciendo de este modo el rendimiento de la desinfección. Si la vaina tubular no puede limpiarse, deberá reemplazarse por otra.

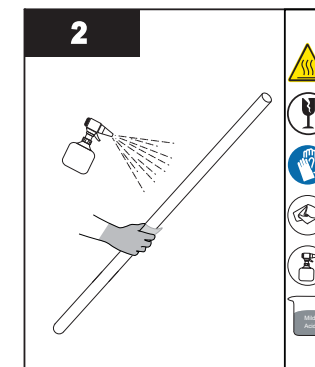
#### Requisitos previos:

- Cortar el suministro de agua y drenar todas las líneas.
- Despresurizar el sistema. Colocar un paño pequeño debajo de la unidad para recoger el agua que pueda caer.
- Quitar la lámpara UV. Consulte [Sección 5.1](#).

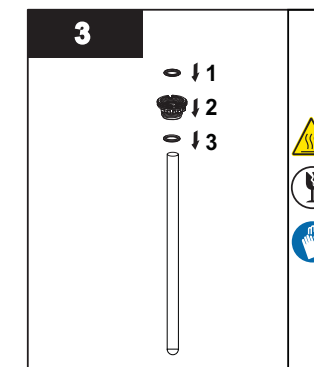
#### Procedimiento:



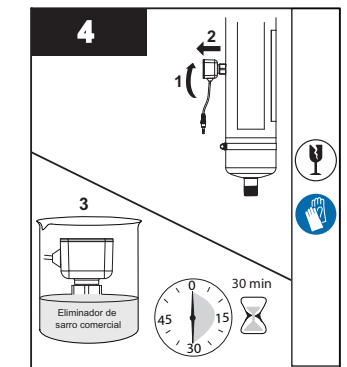
- Desenrosque el tornillo de la vaina tubular y quite las juntas tóricas de la vaina de cuarzo.



- Limpie la vaina tubular de cuarzo con un trapo empapado en CLR, vinagre u otro ácido blando y, a continuación, aclárela con agua.
- Nota:** Si no es posible limpiar la vaina tubular por completo o si se raya o se quiebra, reemplácela.



- Introduzca las juntas tóricas y apriete el tornillo de la vaina tubular en la vaina de cuarzo.
- Cuando haya finalizado el servicio, realice los pasos que aparecen en los requisitos previos en orden inverso al desmontaje.



- Quite el sensor UV.
- Sumerja el extremo del sensor durante 30 minutos en desincrustante comercial y límpielo con un algodón limpio.



## Sección 5 Mantenimiento

### ⚠️ ADVERTENCIA



- Desconecte siempre la corriente antes de llevar a cabo cualquier trabajo en el sistema de desinfección.
- Corte siempre el flujo de agua y libere la presión del agua antes de realizar el servicio.
- Examine con frecuencia el sistema de desinfección para asegurar que los indicadores de corriente estén encendidos y que no hay ninguna alarma.
- Reemplace la lámpara UV anualmente (o cada dos años si se trata de un uso casero temporal) para garantizar la máxima desinfección.
- Drene siempre la cámara al cerrar la temporada o al dejar la unidad en un área sujeta a temperaturas de congelación.

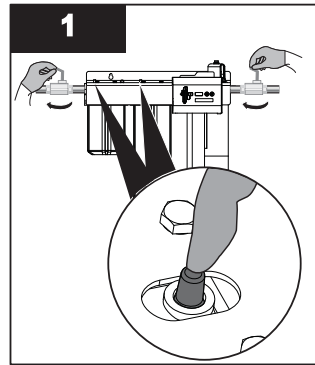
### 5.1 Reemplazo de la lámpara UV

### AVISO

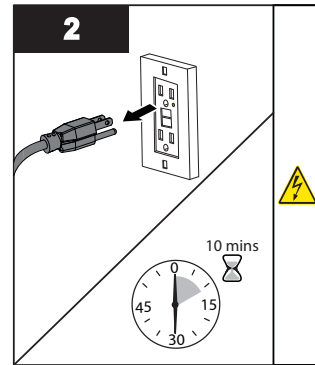
No utilice agua durante la reposición de la lámpara UV.

La reposición de la lámpara es un procedimiento rápido y sencillo que no necesita herramientas especiales. Se debe reemplazar la lámpara después de 9000 horas de funcionamiento continuo (un año aproximadamente) con el fin de garantizar una desinfección adecuada.

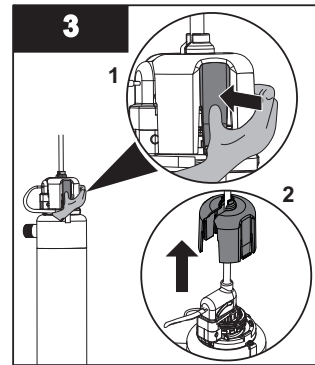
#### Procedimiento:



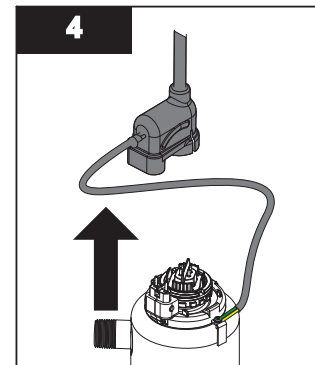
- Cierre todos los grifos y suministros de agua.
- Pulse el botón de liberación de presión para liberar la presión de los cartuchos.



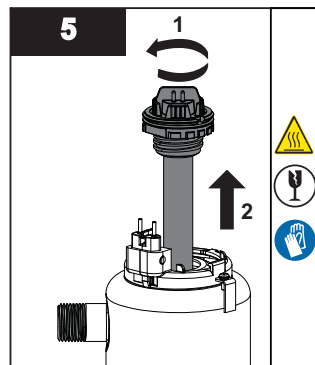
- Desconecte la fuente de alimentación principal y deje que la unidad se enfríe durante 10 minutos.



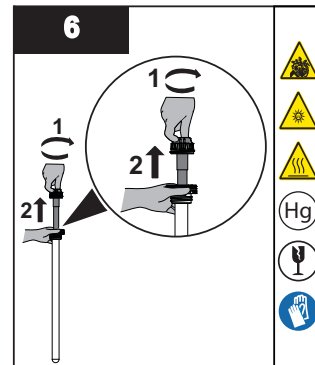
- Quite la tapa de seguridad apretando las pestañas.  
**Nota:** Asegúrese de que los cables del enchufe de la lámpara permanezcan conectados.



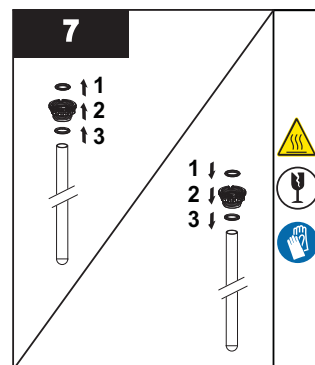
- Quite el enchufe de la lámpara.  
**Nota:** Asegúrese de que los cables de liberación de tensión permanezcan conectados.



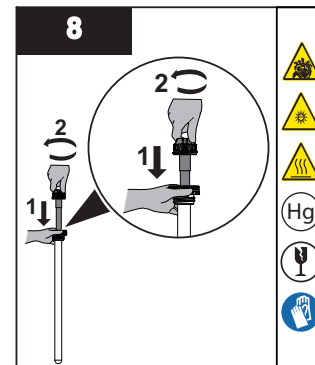
- Quite el ensamblaje de la lámpara o la vaina tubular junto con el tornillo de la vaina tubular de la cámara.



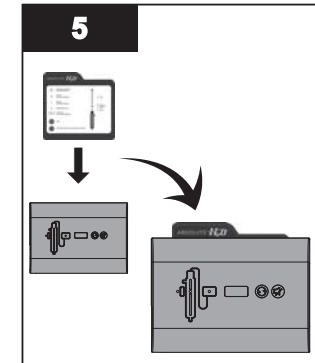
- Desenrosque la lámpara UV sosteniendo el tornillo de la vaina tubular.



- Desenrosque el perno de la vaina tubular y quite las dos juntas tóricas de la vaina tubular.
- Instale 2 juntas tóricas nuevas en la vaina tubular, en cualquiera de los lados del perno de la vaina tubular, tal como se indica en la ilustración.

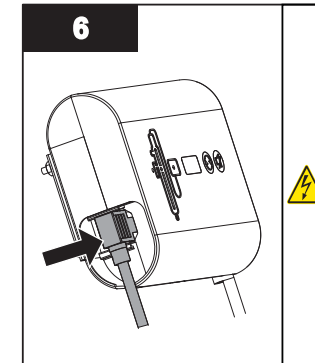


- Instale y asegure la lámpara nueva en la vaina tubular.  
**Nota:** Si se aprieta demasiado, se romperá la vaina.

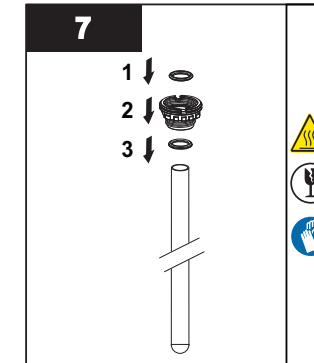


- Insert the reference card between controller and mounting bracket.

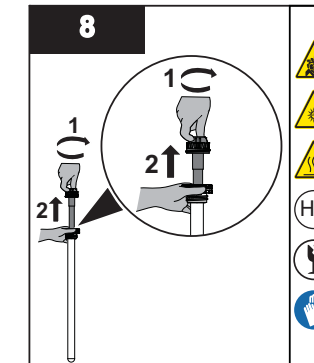
**Nota:** Outlet must be protected by a Ground Fault Circuit Interrupter (GFCI).



- Connect power cord to controller.
- DO NOT connect the power cord to the GFCI outlet at this time.
- Some lamp assembly may be required. If wires are on outside of glass, lamp/sleeve are separate. Proceed to step 7. If wires are inside glass, skip to step 9.

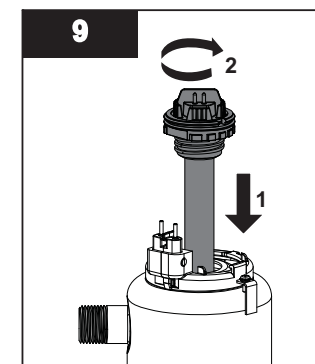


- Install the sleeve bolt with 2 new O-rings to the sleeve.



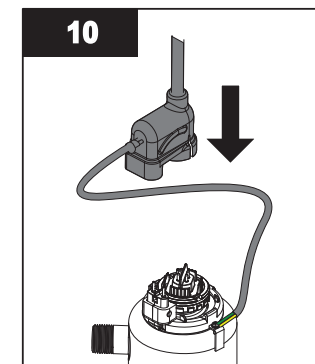
- Install the lamp into sleeve and hand tighten.

**Nota:** Over tightening will break the sleeve.

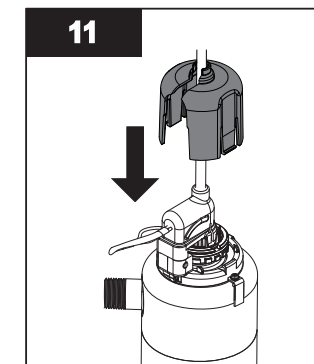


- Insert the lamp/sleeve assembly into chamber, screw hand tight.

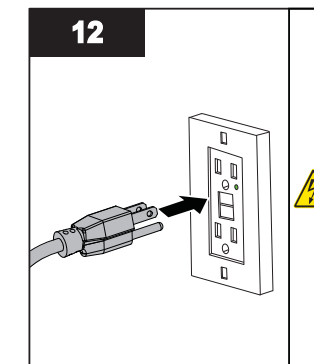
**Nota:** Over tightening will break the sleeve.



- Align connections by rotating the ring clamp and install the lamp plug.



- Insert the safety cap.

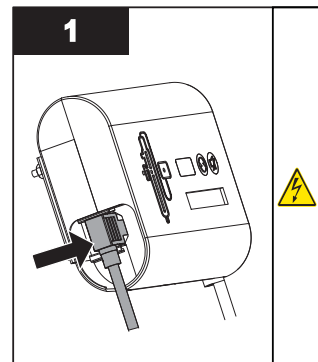


- Connect power.
- Open all faucets and turn on water supply. Inspect for any leaks.

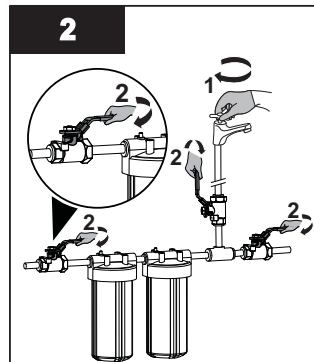
**Nota:** Outlet must be protected by a Ground Fault Circuit Interrupter (GFCI).

### 3.2 Disinfection Procedure

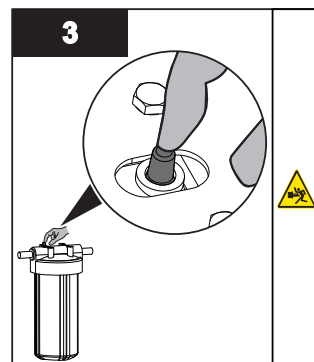
UV disinfection is a physical disinfection process and does not add any potentially harmful chemicals to the water. As UV does not provide a disinfection residual, it is imperative that the entire distribution system located after the UV be chemically disinfected to ensure that the plumbing system is free from any bacteriological contaminants. The disinfection process must be performed immediately after the UV unit is installed and repeated thereafter whenever the UV is shut down for service, without power, or inoperative for any reason. The procedure for sanitizing the plumbing system is readily accomplished as follows:



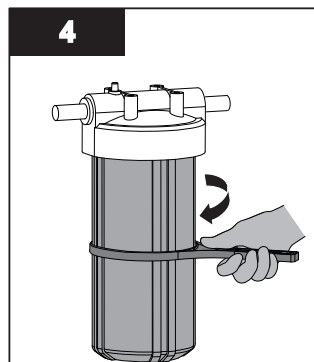
- Ensure only the controller plug is plugged in for entire disinfection process.



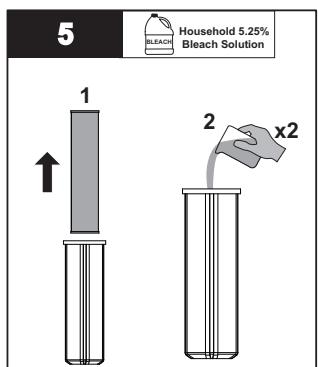
- Shut off the water supply.
- Close each faucet.



- Press the pressure button to release the pressure from the cartridges.

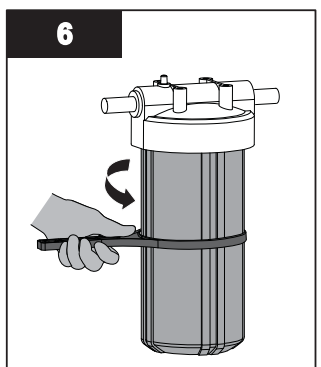


- Remove sump housing(s) using sump wrench.

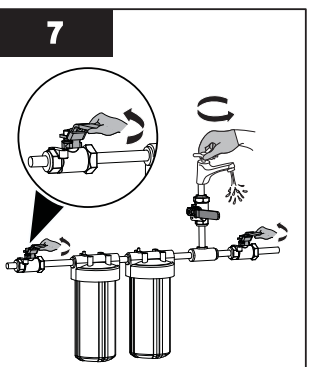


- Remove cartridge(s) and pour 2 cups of household bleach solution into the sump housing(s).

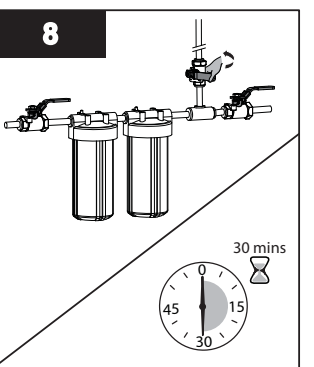
**Note:** DO NOT use Hydrogen Peroxide.



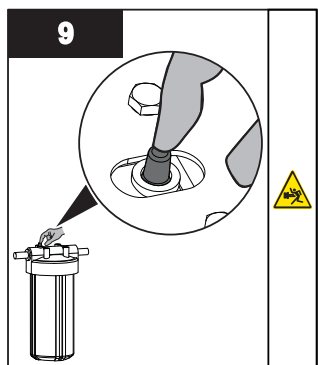
- Reinstall sump only to filter head.



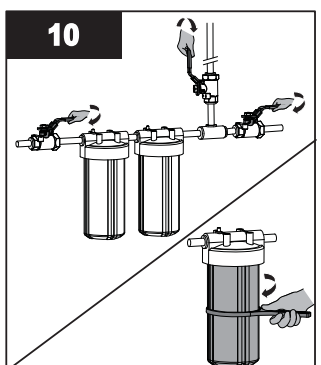
- Turn on water supply.
- Allow water to fill the chamber.



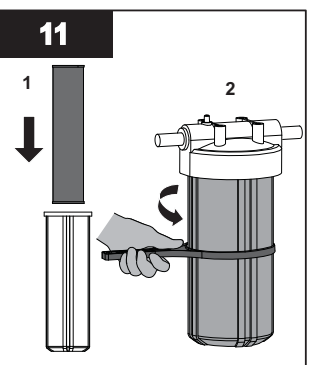
- Turn on the cold water supply followed by hot water (if available) until you smell the bleach.
- Close all faucets and allow bleach to settle in the water lines for 30 minutes.



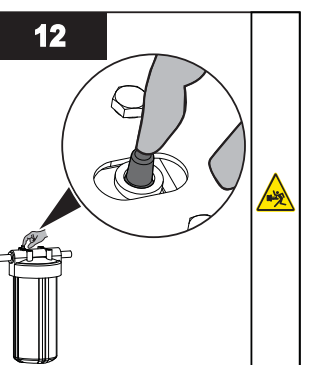
- Press the pressure button to release the pressure.



- With all faucets closed, remove sump housing(s) using sump wrench.



- Reinstall the cartridge(s) into sump housing(s) and connect to the unit.
- Flush all water outlets until bleach can no longer be smelled (at least 5 minutes).



- Press the pressure button to purge air and to complete the disinfection procedure.

### Sección 4 Funcionamiento

#### 4.1 Panel de control

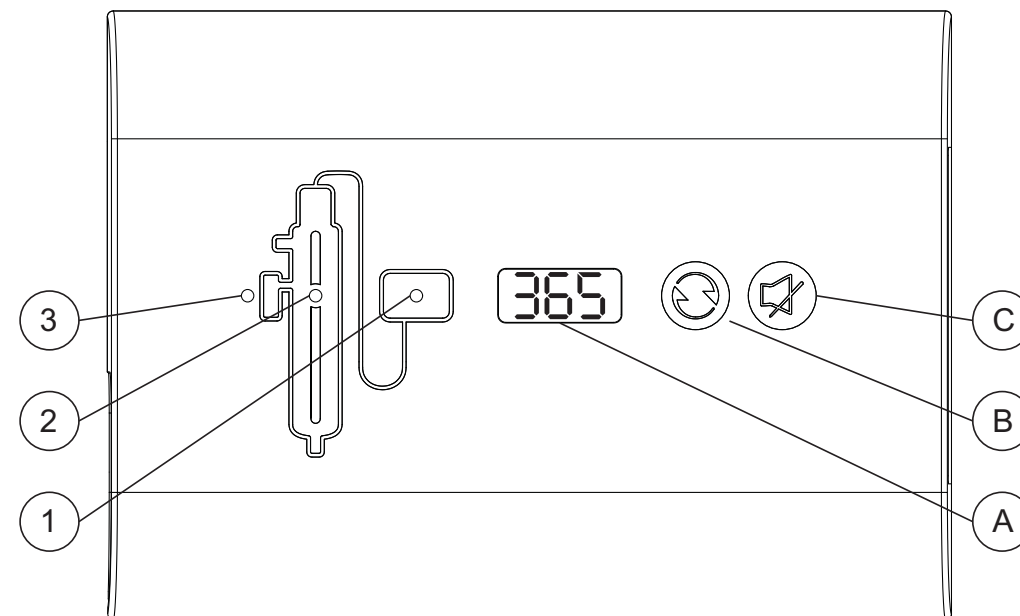


Figura 4 Panel de control

Botones y pantalla				
Característica	Descripción	Función		
A	Pantalla del temporizador de la lámpara	Hace la cuenta atrás a partir de los 365 días para mostrar el momento de la reposición anual de la lámpara.		
B	Restablecimiento del temporizador de la lámpara	Después de instalar una lámpara nueva, mantener pulsado durante cinco segundos para restablecer el temporizador de la lámpara en 365.		
C	Silencio	<ul style="list-style-type: none"> <li>• Presionar para silenciar la alarma sonora.</li> <li>• Cuando la alarma se debe a la antigüedad de la lámpara, el botón Silencio silenciará la alarma sonora durante 7 días; esto se puede repetir un máximo de 4 veces. Luego, el botón se silenciará solo durante 24 horas.</li> <li>• Cuando la alarma se debe a algún otro problema, el botón Silenciar silenciará la alarma sonora durante 24 horas.</li> </ul>		
Luces indicadoras				
LED	Verde	Amarillo	Parpadea en rojo	Rojo continuo
1	El controlador funciona con normalidad	La temperatura del aire alrededor del sistema es demasiado cálida.	Fallo del controlador; reemplazar el controlador.	Controlador inactivo debido a un fallo de la lámpara.
2	La lámpara funciona con normalidad	Advertencia: la lámpara se deberá reemplazar próximamente.	<ul style="list-style-type: none"> <li>• Lámpara desconectada; desenchufar el sistema, volver a conectar la lámpara y volver a enchufar el sistema.</li> <li>• Fallo de la lámpara; reemplazar la lámpara.</li> </ul>	Lámpara inactiva debido a un fallo del controlador.
<b>Solo modelos +</b>				
3	La dosis de UV es la adecuada y el sensor está funcionando con normalidad.	La dosis UV está cerca de la mínima requerida.	La dosis UV está por debajo de la mínima requerida, consulte <a href="#">Sección 6.1</a> . Sensor desconectado; desenchufar el sistema, volver a conectar el sensor y volver a enchufar el sistema.	Sensor inactivo debido a un fallo de la lámpara o el controlador.

### 3.2 Procedimiento de desinfección

La desinfección UV es un proceso de desinfección física que no añade sustancias químicas potencialmente dañinas al agua. Dado que la tecnología UV no proporciona residuos de desinfección, es imprescindible que se desinfecte químicamente todo el sistema de distribución situado después de UV para asegurar que el sistema de tuberías esté libre de cualquier contaminante bacteriológico. Se debe llevar a cabo el proceso de desinfección inmediatamente después de instalar la unidad de UV. Asimismo, se debe repetir un poco después cuando la UV deje de funcionar por el servicio, cuando no haya energía o cuando no esté operativa por algún motivo. El procedimiento para sanear el sistema de tuberías se realiza rápidamente del siguiente modo:

- 1** Asegúrese de que solo el enchufe del controlador esté conectado durante todo el proceso de desinfección.
- 2** Corte el suministro de agua. Cierre los grifos.
- 3** Pulse el botón de presión para liberar la presión de los cartuchos.
- 4** Quite las carcasas del cárter con una llave para filtros de agua.
- 5** Quite los cartuchos y vierta dos vasos de solución de lejía de uso doméstico en la carcasa del cárter. *Nota: NO utilice peróxido de hidrógeno.*
- 6** Vuelva a instalar el cárter solo en el cabezal del filtro.
- 7** Abra el suministro de agua. Permita que el agua rellene la cámara.
- 8** Encienda el suministro de agua fría seguido de agua caliente (si está disponible) hasta que huele la lejía. Cierre todos los grifos y permita que la lejía se deposite en las líneas de agua durante 30 minutos.
- 9** Pulse el botón de presión para liberar la presión.
- 10** Con todos los grifos cerrados, quite las carcasas del cárter y conéctelos a la unidad.
- 11** Vuelva a instalar los cartuchos en las carcasas del cárter y conéctelos a la unidad. Limpie todas las salidas de agua hasta que no huelan a lejía (5 minutos por lo menos).
- 12** Pulse el botón de presión para purgar el aire y para finalizar el procedimiento de desinfección.

### Section 4 Operation

#### 4.1 Control Panel

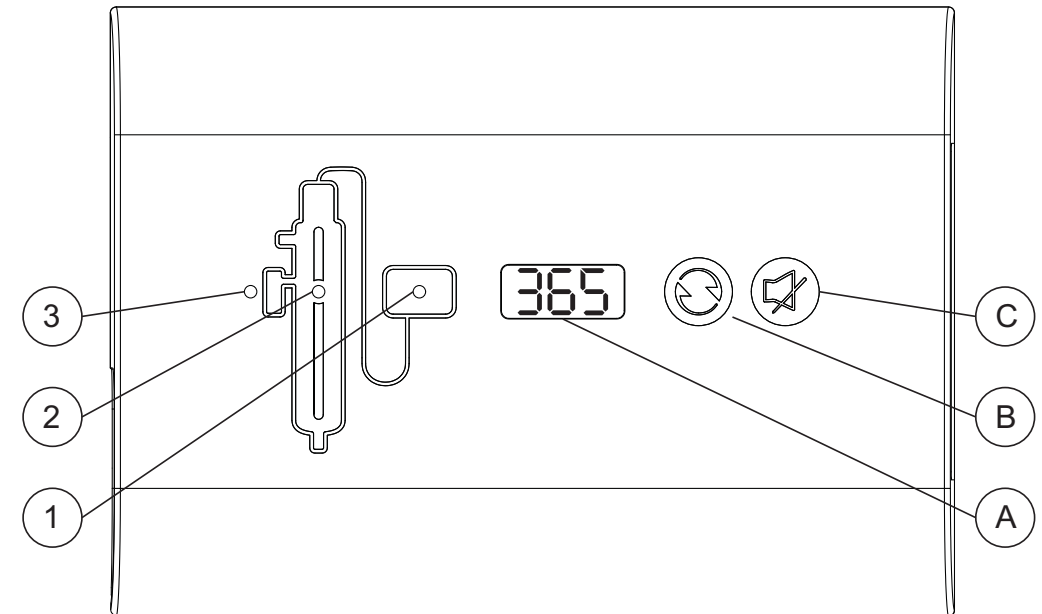


Figure 4 Control Panel

Buttons and Display				
Feature	Description	Function		
A	Lamp timer display	Counts down from 365 days to show time for annual lamp replacement.		
B	Lamp timer reset	After installing a new lamp, press and hold for five seconds to reset Lamp timer to 365.		
C	Mute	<ul style="list-style-type: none"> <li>Press to silence audible alarm.</li> <li>When the alarm is due to the lamp's age, the mute button will silence the audible alarm for 7 days; this may be repeated up to a maximum of 4 times. After that, the button will silence for only 24 hours.</li> <li>When the alarm is due to any other issue, the mute button will silence the audible alarm for 24 hours.</li> </ul>		
Indicator Lights				
LED	Green	Yellow	Flashing red	Solid red
1	Controller operating normally	Air temperature around system is too warm.	Controller failure; replace controller.	Controller inactive due to lamp failure.
2	Lamp operating normally	Warning; lamp will require replacement shortly.	<ul style="list-style-type: none"> <li>Lamp disconnected; unplug system, reconnect lamp and plug-in system again.</li> <li>Lamp failure; replace lamp.</li> </ul>	Lamp inactive due to controller failure.
+ models only				
3	UV dose is adequate and sensor is operating normally.	UV dose is near the minimum required.	UV dose is below minimum required, Refer to <a href="#">Section 6.1</a> . Sensor disconnected; unplug system, reconnect sensor and plug-in system again.	Sensor inactive due to lamp or controller failure.

## Section 5 Maintenance

### ⚠ WARNING



- Always disconnect power before performing any work on the disinfection system.
- Always shut-off water flow and release water pressure before servicing.
- Regularly inspect your disinfection system to ensure that the power indicators are on and no alarms are present.
- Replace the UV lamp annually (or biennially if seasonal home use) to ensure maximum disinfection.
- Always drain the chamber when closing a seasonal home or leaving the unit in an area subject to freezing temperatures.

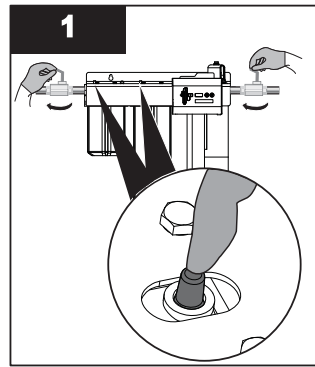
### 5.1 Replacing UV Lamp

### NOTICE

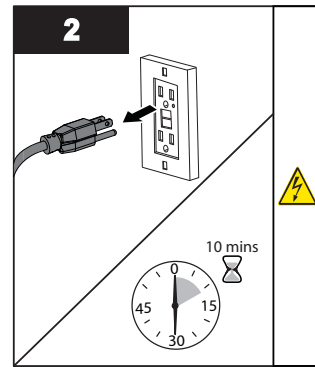
Do not use water during replacement of UV lamp.

Lamp replacement is a quick and simple procedure requiring no special tools. The UV lamp must be replaced after 9000 hours of continuous operation (approximately one year) in order to ensure adequate disinfection.

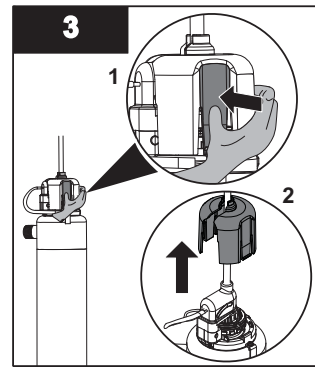
#### Procedure:



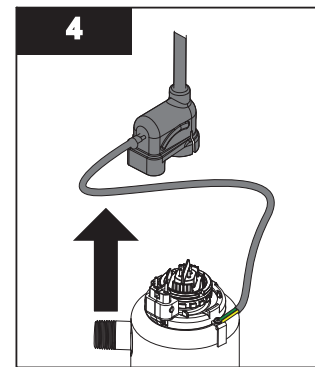
- Close all faucets and water supply.
- Press the pressure release button to relieve the pressure from the cartridges.



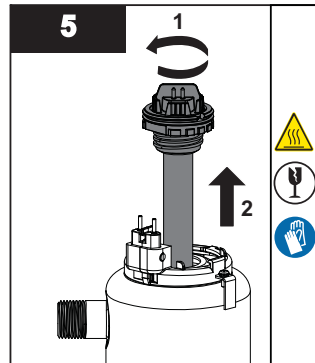
- Disconnect main power source and allow the unit to cool for 10 minutes.



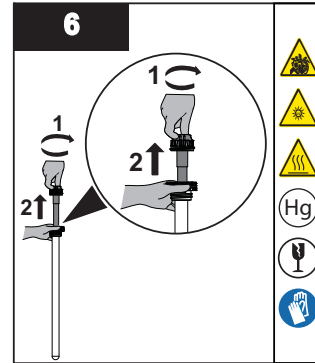
- Remove the safety cap by squeezing the tabs.  
**Note:** Ensure the lamp plug wires remain connected.



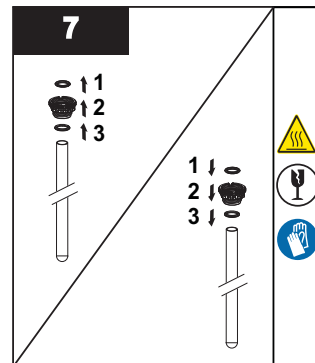
- Remove the lamp plug.  
**Note:** Ensure the strain relief wires remain connected.



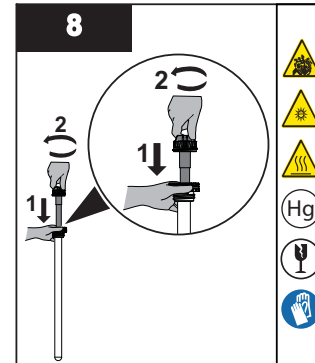
- Remove lamp/sleeve assembly along with sleeve bolt from chamber.



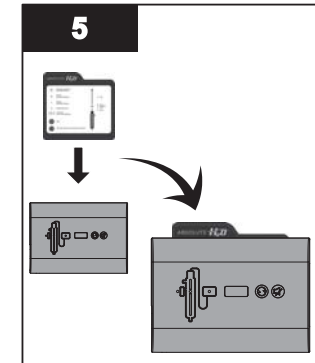
- Unscrew the UV lamp by holding the sleeve bolt.



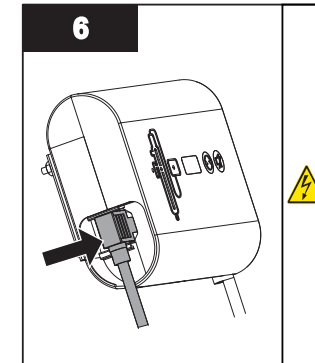
- Remove the sleeve bolt and remove 2 O-rings from the sleeve.
- Install 2 new O-rings onto sleeve on either side of sleeve bolt as pictured.



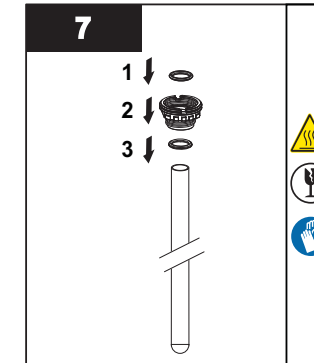
- Install and secure the new lamp into sleeve.  
**Note:** Over tightening will break the sleeve.



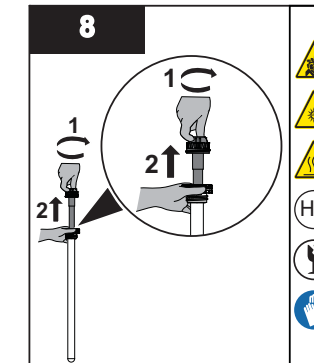
- Inserte la ficha de referencia entre el controlador y la abrazadera de montaje.  
**Nota:** La salida debe estar protegida mediante un interruptor de circuito de fallos de conexión a tierra (GFCI).



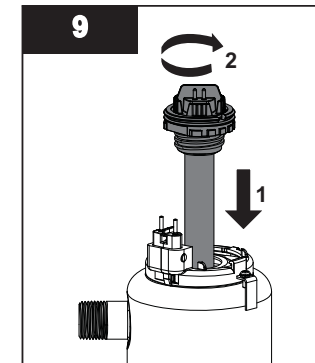
- Conecte el cable de alimentación al controlador.
- NO conecte el cable de alimentación a la toma GFCI en este momento.
- Puede que se necesite un conjunto de lámpara. Si los cables están en el exterior del cristal, la lámpara/la vaina tubular están separadas. Continúe con el paso 7. Si los cables están dentro del cristal, pase al paso 9.



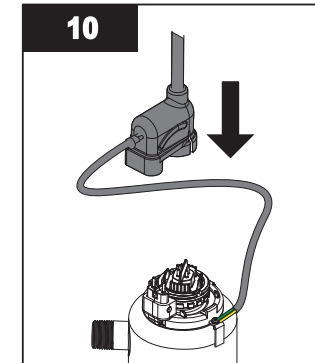
- Instale el perno de la vaina tubular con las 2 juntas tóricas nuevas.



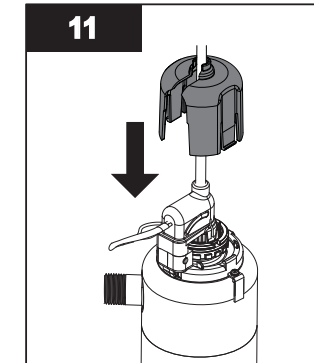
- Instale la lámpara en la vaina tubular y apriete con la mano.  
**Nota:** Si se aprieta demasiado, se romperá la vaina.



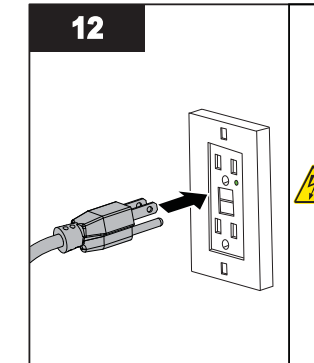
- Inserte el conjunto de lámpara/vaina tubular en la cámara y apriete con la mano.  
**Nota:** Si se aprieta demasiado, se romperá la vaina.



- Alinee las conexiones girando la abrazadera de anillo e instale el enchufe de la lámpara.



- Introduzca la tapa de seguridad.



- Conecte la alimentación.
- Abra todos los grifos y encienda el suministro de agua. Examine si hay fugas.  
**Nota:** La salida debe estar protegida mediante un interruptor de circuito de fallos de conexión a tierra (GFCI).

Elemento	Descripción	Función
14	Caja de empalmes	Opcional: electroválvulas de solenoide, alarmas remotas y marcadores automáticos.
15	Controlador	Alimenta y controla la lámpara UV y otros dispositivos. Proporciona la interfaz humana, muestra información y permite la entrada de controles (por ejemplo, silenciar la alarma sonora).
16	Fuente de alimentación	Proporciona alimentación al controlador. Por motivos de seguridad, la salida debe estar protegida mediante un interruptor de circuito de fallos de conexión a tierra (GFCI). NOTA: para proteger el controlador, se requiere el uso de un supresor de tensiones transitorias certificado por UL1449 o equivalente.

Modelo	L	Ø	A (máximo)	B	C	D (máximo)
D4/D4+/D4-V/D4-V+	52 cm (20,5")	10 cm (4")	183 cm (72")	22 cm (8,5")	15 cm (6")	137 cm (54")
E4/E4+/E4-V/E4-V+	76 cm (30")	10 cm (4")	183 cm (72")	22 cm (8,5")	15 cm (6")	137 cm (54")
F4/F4+/F4-V/F4-V+	112,4 cm (44,25")	10 cm (4")	183 cm (72")	22 cm (8,5")	15 cm (6")	137 cm (54")

## Sección 3 Instalación

### ⚠ PRECAUCIÓN



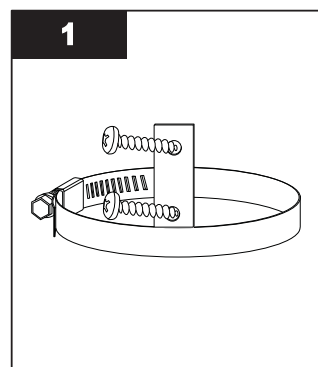
El controlador electrónico se debe conectar a un receptáculo de circuito de protección de fallos de conexión a tierra (GFCI). Asegúrese de que el anillo de cable de conexión a tierra verde se conecte firmemente al broche de conexión a tierra de la cámara UV.

### 3.1 Instalación del sistema UV

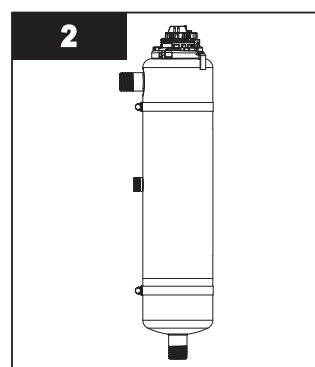
#### Requisitos previos:

- Determinar la ubicación interior adecuada del controlador y la cámara. Consulte [Figura 3](#).
- Asegurarse de que haya una distancia suficiente sobre la cámara como para permitir la extracción de la lámpara y la vaina tubular.
- Asegurarse de cortar la fuente de agua principal.
- Montar el sistema en la pared con pernos de tornillo adecuados a través de los dos orificios de montaje situados en la abrazadera metálica. Los pernos de tornillo suministrados son adecuados para fijarse en madera. (La fijación a otros materiales requerirá la compra de hardware alternativo).
- Realice todas las conexiones de fontanería necesarias. Consulte [Figura 3](#).

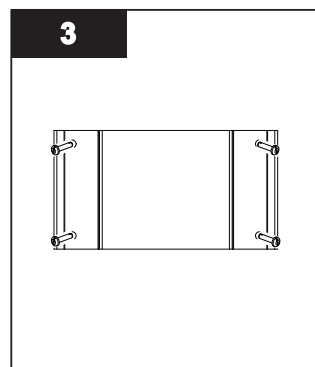
#### Procedimiento:



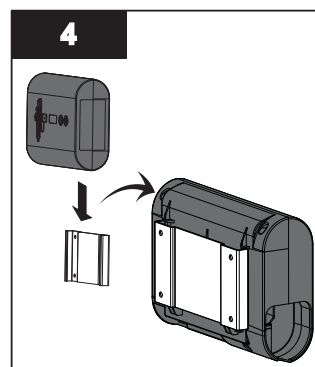
- Fije las abrazaderas de la cámara a la pared (se recomienda el uso de tornillos n.º 10).



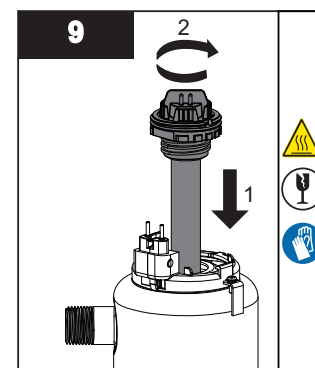
- Inserte la cámara y apriete las abrazaderas.
- Realice todas las conexiones de fontanería necesarias. Consulte [Sección 2.1](#).



- Monte la abrazadera de montaje del controlador a la pared mediante tornillos núm. 8 (no suministrados).

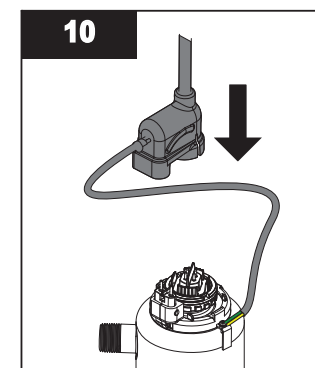


- Deslice el controlador para instalarlo en la abrazadera de montaje.

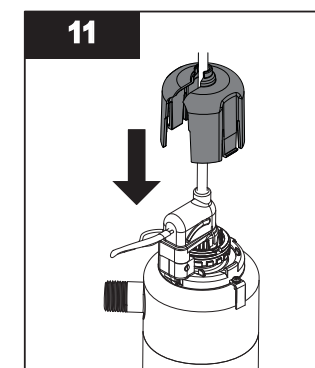


- Insert and secure the lamp/sleeve assembly.

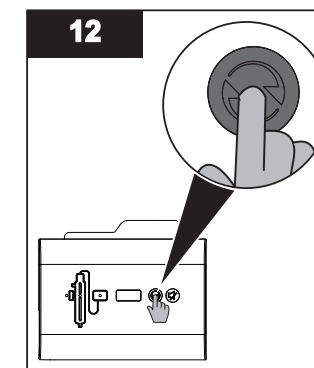
**Note:** Over tightening will break the sleeve.



- Align connections by the rotating ring clamp and install the lamp plug.



- Insert the safety cap.



- Restore power.
- If new lamp was inserted, press and hold lamp timer reset button for 5 seconds. Display should read [355].
- Open all faucets and water inlets. Inspect for any leaks.

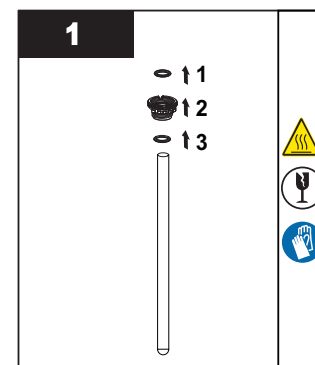
### 5.2 Cleaning and Replacing Quartz Sleeve

**Note:** Minerals in the water slowly form a coating on the quartz sleeve. This coating must be removed because it reduces the amount of UV light reaching the water, thereby reducing disinfection performance. If the sleeve can not be cleaned, it must be replaced.

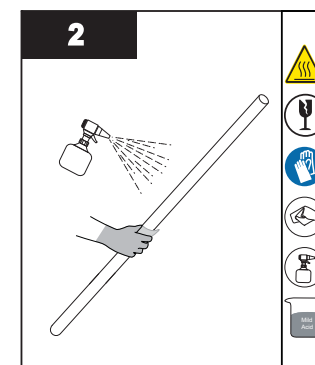
#### Prerequisites:

- Shut off water supply and drain all lines.
- Depressurize the unit. Place a small pail under the unit to catch any spills.
- Remove the UV lamp. Refer to [Section 5.1](#).

#### Procedure:

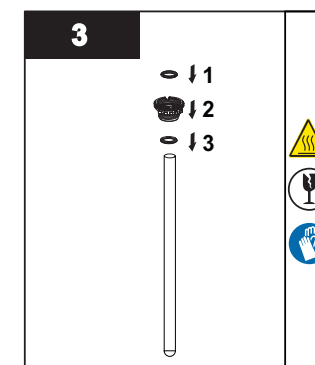


- Unscrew the sleeve bolt and remove O-rings from the quartz sleeve.

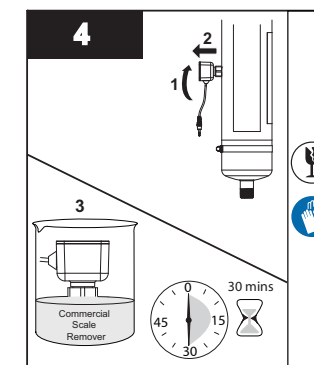


- Clean the quartz sleeve with a cloth soaked in CLR, vinegar or some other mild acid and then rinse with water.

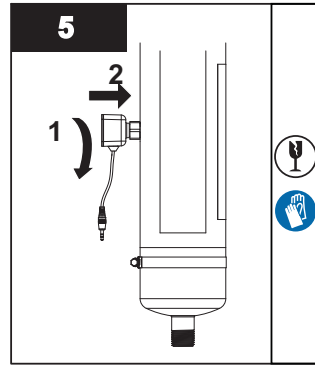
**Note:** If sleeve cannot be cleaned completely or it is scratched or cracked, then replace the sleeve.



- Insert new O-rings and tighten the sleeve bolt to the quartz sleeve.
- When service is complete, assemble the prerequisites in the reverse order of disassembly.



- Remove the UV sensor.
- Submerge the end of sensor for 30 minutes in Commercial Scale Remover and wipe with clean cotton swab.



- Reinstall the UV sensor.
- When service is complete, assemble the prerequisites in the reverse order of disassembly.

**Notes:** 1) After replacing the UV lamp or quartz sleeve perform the disinfection procedure, refer to [Section 3.2](#).  
 2) If the system is put on a temporary by-pass or if it becomes contaminated after the disinfection system, it is necessary to complete the disinfection procedure, refer to [Section 3.2](#).

2.1 Dimensiones y distribución

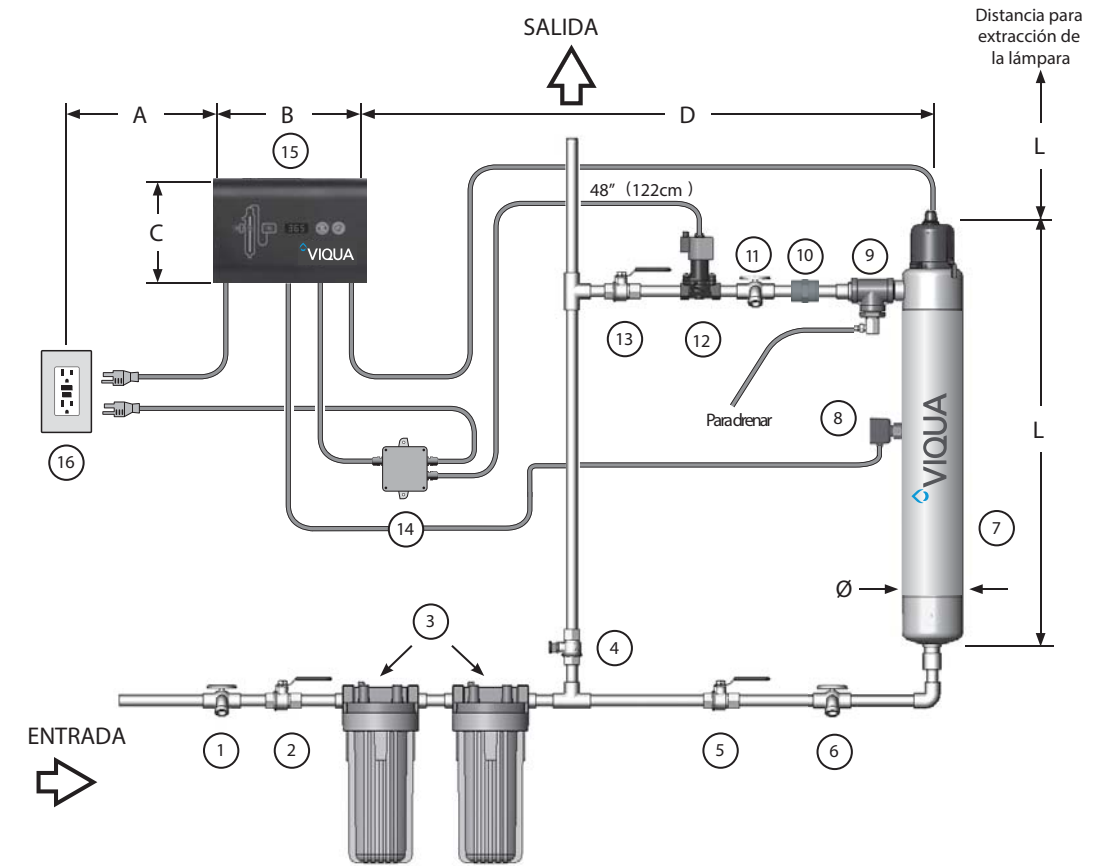


Figura 3 Sistema: dimensiones y distribuciones

Elemento	Descripción	Función
1	Válvula de muestra	Permite realizar una muestra del agua sin tratar.
2	Válvula de corte	Se requiere para permitir el mantenimiento del equipo de tratamiento previo.
3	Tratamiento previo	Consulte <a href="#">Sección 1.3</a> . <b>Nota:</b> Se debe instalar un filtro de sedimentos de 5 micrones (nominal) antes del sistema UV y después de los equipos de ablandamiento de agua.
4	Válvula de corte de desvío	La línea y válvula de desvío son opcionales. Están diseñadas para proporcionar un suministro de agua de emergencia cuando el sistema UV no esté disponible.
5	Válvula de corte	Se requiere para permitir realizar las tareas de mantenimiento del sistema UV.
6	Válvula de muestra	Permite tomar muestras del agua que entra en la cámara UV; se necesita para confirmar que la calidad del agua que se está tratando es adecuada.
7	Cámara UV	Proporciona la desinfección del agua. Las cámaras del modelo + se deben instalar verticalmente.
8	Sensor	Elemento opcional incluido en los modelos +. Controla la salida de UV para garantizar el suministro de una dosis (exposición de UV) adecuada.
9	Válvula CoolTouch™	Drena el agua de la cámara que la lámpara ha calentado en períodos sin flujo.
10	Limitador de caudal	Impide que el agua fluya superando el caudal máximo certificado por NSF asegurando que se mantiene una dosis de UV adecuada.
11	Válvula de muestra	Permite tomar muestras del agua inmediatamente después del tratamiento UV; se necesita para confirmar el funcionamiento adecuado del sistema UV.
12	Válvula de solenoide	La pieza opcional del equipo se debe usar con una caja de empalmes. Permite cortar el suministro de agua cuando no se puede garantizar una desinfección adecuada. <b>Nota:</b> Si la conexión a tierra desde el panel eléctrico está atada a las líneas de agua de cobre y usa una válvula de solenoide, se requiere la instalación de una correa de conexión a tierra adecuada. Esta correa de conexión a tierra mantendrá la continuidad entre las líneas que se han cortado para la instalación del solenoide. Consulte las normativas de instalaciones eléctricas locales para ver cuáles son la abrazadera y el tamaño de cable correctos.
13	Válvula de corte	Se requiere para permitir realizar las tareas de mantenimiento del sistema UV.

Elemento	Descripción	N.º pieza	Sistemas UV
15	Kit de válvula solenoide (opcional) (incluye caja de empalmes)	650717-001	D4 (3/4")
		650717-002	E4, F4, F4+ (1")
16	Válvula CoolTouch (opcional)	650537	D4, D4+, D4-V, D4-V+ (3/4")
		650538	E4, E4+, E4-V, E4-V+, F4+(1") F4-V (1"), F4-V+ (1")
17	Junta tórica	002026	Usado en todos los modelos

Para saber qué modelo tiene usted, mire la etiqueta en el lateral del controlador tal y como se describe a continuación:



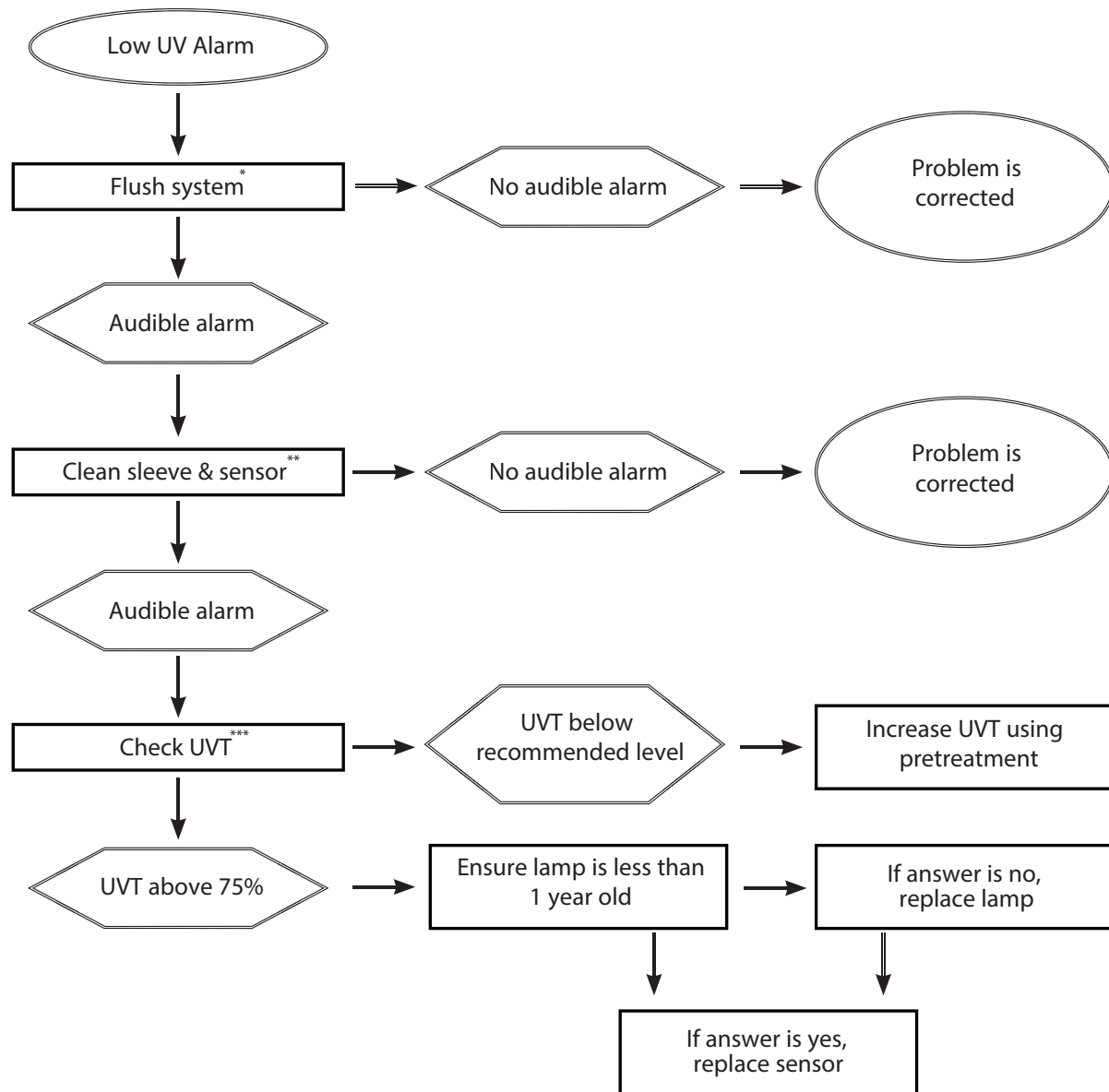
Figura 2 Componentes del controlador del modelo D/E/F-

Parámetros de funcionamiento	D4/D4+/D4-V/D4-V+	E4/E4+/E4-V/E4-V+	F4/F4+/F4-V/F4-V+
Mantenimiento sin herramientas	Sí	Sí	Sí
Tapa de seguridad y enchufe de lámpara especial	Sí	Sí	Sí
Indicador de funcionamiento de la lámpara	Sí	Sí	Sí
Indicador de funcionamiento del controlador	Sí	Sí	Sí
Indicador de funcionamiento del sensor	D4+	E4+	F4+
Sensor	D4+	E4+	F4+
Ficha de referencia	Sí	Sí	Sí
Pantalla del temporizador de la lámpara	Sí	Sí	Sí
Botón de restablecimiento del temporizador de la lámpara	Sí	Sí	Sí
Botón de silenciamiento	Sí	Sí	Sí
Válvula de solenoide	Opcional	Opcional	Opcional
Relé de control externo	Opcional	Opcional	Opcional

## Section 6 Troubleshooting

Symptom	Possible Cause	Possible Solution
No power	GFCI and/or breaker tripped	Reset GFCI and/or breaker
	Transient voltage surge suppressor (TVSS) damaged	Replace TVSS
	Controller damaged	Replace controller and use a TVSS
GFCI or breaker repeatedly trips	Connection between lamp and lamp plug is wet	Clean and dry lamp pins and lamp plug, check unit for leaks or condensation
	Short-circuit in the electrical assembly	Replace controller
Leak at inlet or outlet	Threaded pipe fittings are leaking	Clean threads, reseal with Teflon tape and retighten
Leak detected from area of UV chamber	Condensation of moist air on cold chamber (slow accumulation)	Control humidity or relocate unit.
	O-ring damaged, deteriorated or incorrectly installed	Inspect and replace if deteriorated.
	Lamp/sleeve assembly not properly installed (too tight or not tight enough)	Tighten assembly hand-tight.
Leak detected at sensor (if so equipped)	UV sensor O-rings are damaged, deteriorated, or incorrectly installed	Inspect and replace O-rings if deteriorated
Alarm	Refer to <a href="#">Section 4.1</a> .	Refer to <a href="#">Section 4.1</a> .
System is operating but water tests reveal bacterial contamination	Equipment downstream of UV system is acting as a breeding ground for pathogens	Ensure UV is the last piece of treatment equipment
	Pathogens are residing in the distribution lines post-UV	Ensure all distribution lines have been disinfected with chlorine. Refer to <a href="#">Section 3.2</a> .
	Recontamination from pipe dead-ends	Remove any pipe dead-ends and flush with chlorine. Refer to <a href="#">Section 3.2</a> .
Lamp timer does not read anything	Unit is unplugged.	Plug unit into AC power outlet
	No power at AC power outlet	Replace fuse or reset breaker
	Power cord is damaged	Replace power cord
	Power surge caused damage to electrical assembly	Replace controller and use a surge protector (TVSS)

### 6.1 Low UV Alarms (+ models only) Certified and Non-certified



\* In some cases, short-term flows of low ultraviolet transmittance (UVT) water can be created following and during the regeneration cycle of a water softener, resulting in a sensor alarm. Flushing the UV system alleviates this condition until the softener goes through another regeneration cycle. In the longer term, the softener's settings must be modified. To flush the UV system, disinfect the water lines. Refer to [Section 3.2](#).

\*\* Refer to [Section 4.1](#).

\*\*\* Contact VIQUA or your water treatment dealer for a test of the UVT of the water.

### Sección 2 Información general

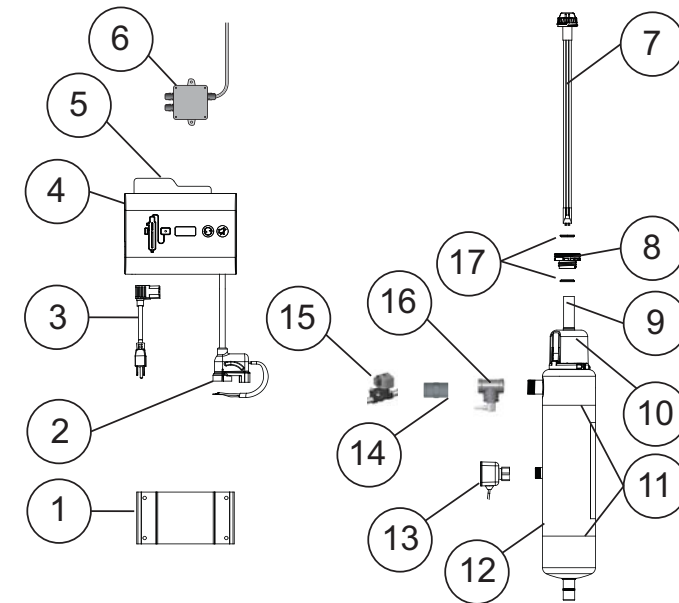


Figura 1 Componentes del modelo

Elemento	Descripción	N.º pieza	Sistemas UV
1	Abrazadera de montaje del controlador	-	Usado en todos los modelos
2	Cable de la lámpara	-	Usado en todos los modelos
3	Cable de alimentación	602636 (120 V)	Usado en los modelos 120 V
		602637 (230 V)	Usado en los modelos 230 V
4	Controlador (incluye abrazadera de montaje del controlador, ficha de referencia, tapa de seguridad y cable de la lámpara)	650713-007	Usado en todos los modelos
5	Ficha de referencia	603069	Usado en todos los modelos
6	Caja de empalmes (opcional)	650705	Usado en todos los modelos
7	Lámpara (incluye juntas tóricas)	602805	D4, D4+, D4-V, D4-V+
		602806	E4, E4+, E4-V, E4-V+
		602807	F4, F4+, F4-V, F4-V+
8	Perno de la vaina tubular	602665	Usado en todos los modelos
9	Vaina tubular (incluye juntas tóricas)	602732	D4, D4+, D4-V, D4-V+
		602733	E4, E4+, E4-V, E4-V+
		602734	F4, F4+, F4-V, F4-V+
10	Tapa de seguridad	603000	Usado en todos los modelos
11	Abrazadera(s) de la cámara	-	Usado en todos los modelos
12	Cámara UV	650712-001	E4, E4-V
		650712-002	E4+, E4-V+
		650712-005	F4, F4-V
		650712-006	F4+, F4-V
		650712-013	D4, D4-V
650712-014	D4+, D4-V+		
13	Sensor	650703	Modelos Plus
14	Limitador de caudal*	440267-R	D4-V, D4-V+
		440268-R	E4-V, E4-V+
		440269-R	F4-V, F4-V+



### ⚠️ ADVERTENCIA



Durante períodos prolongados sin flujo de agua, el agua del depósito se podría calentar excesivamente (aprox. 60 °C) y provocar quemaduras. Se recomienda hacer correr el agua hasta que se haya drenado el agua caliente del depósito. Durante esta operación, evite que el agua entre en contacto con la piel. Para eliminar esta condición, se puede instalar una válvula de temperatura en la salida del sistema UV.

### ⚠️ PRECAUCIÓN



El incumplimiento de estas instrucciones puede ocasionar lesiones leves o moderadas.

- Examine cuidadosamente el sistema de desinfección después de su instalación. No se debe enchufar si hay agua en las piezas que no están diseñadas para mojarse, por ejemplo, el controlador o el conector de la lámpara.
- Debido a las preocupaciones de expansión térmica y la degradación potencial del material debido la exposición a rayos UV, es recomendable usar accesorios metálicos y canalización de cobre de al menos 25,4 cm en la salida de la cámara UV.

### AVISO



- La lámpara UV en el interior del sistema de desinfección tiene una clasificación nominal con una vida eficaz de aproximadamente 9000 horas. Para garantizar una protección continua, reemplace la lámpara UV una vez al año.
- Los niños no deben usar el sistema UV ni deben jugar con él. Las personas con capacidades físicas, sensoriales y mentales reducidas, o las que carecen de experiencia y conocimientos, tampoco no deberían manipular el sistema UV a menos que hayan recibido supervisión o instrucción.
- CABLES ALARGADORES:** Si es necesario usar un cable alargador, utilice únicamente cables de 3 hilos con tomas de conexión a tierra de 3 clavijas y conectores de cable de 3 polos que acepten la toma de este sistema. Utilice solo cables alargadores diseñados para uso en exteriores. Utilice solo cables alargadores con una clasificación eléctrica superior a la clasificación del sistema. Un cable con una clasificación de menos amperios o vatios que los del sistema puede sobrecalentarse. Tenga cuidado a la hora de colocar el cable para evitar que las personas tropiecen o tiren de él. NO use cables alargadores dañados. Examine el cable alargador antes de usarlo y reemplácelo si está dañado. NO abuse del cable alargador. Mantenga el alargue alejado de fuentes de calor y cantos agudos. Desconecte siempre el cable alargador del receptáculo antes de desconectar el sistema del alargador. No tire nunca del cable para desenchufarlo. Sujete siempre la toma y tire de ella para desconectar.
- PROTECCIÓN DEL SISTEMA:** Para proteger el controlador, se recomienda el uso de un supresor de tensiones transitorias certificado por UL1449 o equivalente.
- La lámpara UV de este sistema cumple las disposiciones vigentes de los requisitos del Código de reglamentos federales (CFR) de Estados Unidos, incluido el título 21, capítulo 1, subcapítulo J sobre salud radiológica.
- Lea y comprenda el manual del propietario antes de usar este equipo y realizar tareas de mantenimiento en él.

## 1.3 Química del agua

La calidad del agua es muy importante para el rendimiento óptimo del sistema UV. Se recomiendan los siguientes niveles para la instalación:

Calidad del agua y minerales	Nivel
Hierro	< 0,3 ppm (0,3 mg/L)
Dureza*	< 7 gpg (120 mg/L)
Turbiedad	< 1 NTU
Manganeso	< 0,05 ppm (0,05 mg/L)
Taninos	< 0,1 ppm (0,1 mg/L)
Transmisión UV	> 75 % (póngase en contacto con la fábrica para conocer las recomendaciones para aplicaciones con TUV < 75%)

\* Cuando la dureza total es inferior a 7 gpg, la unidad UV debería funcionar de manera eficaz, siempre y cuando la vaina tubular de cuarzo se limpie periódicamente. Si la dureza total supera los 7 gpg, el agua se debería ablandar. Si la química del agua presenta niveles superiores a los indicados anteriormente, se recomienda realizar un tratamiento previo adecuado para corregir estos problemas del agua antes de instalar el sistema de desinfección UV. Estos parámetros de calidad del agua los puede probar su distribuidor local o la mayoría de los laboratorios de análisis privados. *El tratamiento previo adecuado es fundamental para el funcionamiento correcto del sistema de desinfección UV.*

## Section 7 Specifications

Operating Parameters	General (All Models)	NSF Standard 55 Class B Models (-V)
Maximum operating pressure	125 PSI (862 kPa)	125 PSI (862 kPa)
Minimum operating pressure	4 PSI (27.5 kPa)	4 PSI (27.5 kPa)
Maximum ambient air temperature	122 °F (50 °C)	122 °F (50 °C)
Minimum ambient air temperature	32 °F (0 °C)	32 °F (0 °C)
Maximum humidity	100%	100%
Maximum hardness	120 ppm (7 grains per gallon)	120 ppm (7 grains per gallon)
Maximum iron	0.3 ppm	0.3 ppm
Minimum UVT	75%	75%
Installation	Vertical or horizontal*	Vertical or horizontal*
Flow Restrictor	-	Yes
NSF Certification	-	NSF Standard 55 Class B
Rated service life of lamp	1 year	1 year
UV System Certification		

Model		D4/D4+ D4-V/D4-V+	E4/E4+ E4-V/E4-V+	F4/F4+ F4-V/F4-V+
Flow Rate	Maximum rated flow at dose of 16 mJ/cm <sup>2</sup> @ 95% UVT	23 gpm (87 lpm) (5.22 m <sup>3</sup> /hr)	42 gpm (160 lpm) (9.54 m <sup>3</sup> /hr)	45 gpm (170 lpm) (10.22 m <sup>3</sup> /hr)
	Maximum rated flow at dose of 30 mJ/cm <sup>2</sup> @ 95% UVT	12 gpm (45 lpm) (2.73 m <sup>3</sup> /hr)	22 gpm (83 lpm) (5 m <sup>3</sup> /hr)	36 gpm (136 lpm) (8.18 m <sup>3</sup> /hr)
	Maximum rated flow at dose of 40 mJ/cm <sup>2</sup> @ 95% UVT	9 gpm (34 lpm) (2.04 m <sup>3</sup> /hr)	16 gpm (60 lpm) (3.63 m <sup>3</sup> /hr)	27 gpm (102 lpm) (6.13 m <sup>3</sup> /hr)
	Rated flow for NSF Std 55, Class B (-V versions only)	8.9 gpm (33.7 lpm) (2.02 m <sup>3</sup> /hr)	15.8 gpm (59.8 lpm) (3.6 m <sup>3</sup> /hr)	26.1 gpm (98.8 lpm) (5.93 m <sup>3</sup> /hr)
Electrical	Voltage	100-240V AC	100-240V AC	100-240V AC
	Frequency	50-60 Hz	50-60 Hz	50-60 Hz
	Max. current	0.5 Amp	0.85 Amp	1.2 Amp
	Max. power consumption	50 Watts	83 Watts	130 Watts
Other	Lamp power	40 Watts	70 Watts	110 Watts
	UV Chamber Material	304 SST	304 SST	304 SST
	Inlet/Outlet	3/4" NPT	1" NPT	1" NPT

## Section 8 Manufacturer's Warranty

### Our Commitment

VIQUA is committed to ensuring your experience with our products and organization exceeds your expectations. We have manufactured your UV disinfection system to the highest quality standards and value you as our customer. Should you need any support, or have questions about your system, please contact our Technical Support team at 1.800.265.7246 or [technicalsupport@viqua.com](mailto:technicalsupport@viqua.com) and we will be happy to assist you. We sincerely hope you enjoy the benefits of clean, safe drinking water after the installation of your VIQUA disinfection system.

### How to Make a Warranty Claim

**Note:** To maximise the disinfection performance and reliability of your VIQUA product, the system must be properly sized, installed and maintained. Guidance on the necessary water quality parameters and maintenance requirements can be found in your Owner's Manual.

In the event that repair or replacement of parts covered by this warranty are required, the process will be handled by your dealer. If you are unsure whether an equipment problem or failure is covered by warranty, contact our Technical Support team at 1.800.265.7246 or e-mail [technicalsupport@viqua.com](mailto:technicalsupport@viqua.com). Our fully trained technicians will help you troubleshoot the problem and identify a solution. Please have available the model number (system type), the date of purchase, the name of the dealer from whom you purchased your VIQUA product ("the source dealer"), as well as a description of the problem you are experiencing. To establish proof of purchase when making a warranty claim, you will either need your original invoice, or have previously completed and returned your product registration card via mail or online.

### Specific Warranty Coverage

Warranty coverage is specific to the VIQUA range of products. Warranty coverage is subject to the conditions and limitations outlined under "General Conditions and Limitations".

#### Ten-Year Limited Warranty for VIQUA UV Chamber

VIQUA warrants the UV chamber on the VIQUA product to be free from defects in material and workmanship for a period of ten (10) years from the date of purchase. During this time, VIQUA will repair or replace, at its option, any defective VIQUA UV chamber. Please return the defective part to your dealer who will process your claim.

#### Three-Year Limited Warranty for Electrical and Hardware Components

VIQUA warrants the electrical (controller) and hardware components to be free from defects in material and workmanship for a period of three (3) years from the date of purchase. During this time, VIQUA will repair or replace, at its option, any defective parts covered by the warranty. Please return the defective part to your dealer who will process your claim.

#### One-Year Limited Warranty for Lamps, Sleeves, and UV Sensors

VIQUA warrants lamps, sleeves, and UV sensors to be free from defects in material and workmanship for a period of one (1) year from the date of purchase. During this time, VIQUA will repair or replace, at its option, any defective parts covered by the warranty. Your dealer will process your claim and advise whether the defective item needs to be returned for failure analysis.

**Note:** Use only genuine VIQUA replacement lamps and sleeves in your system. Failure to do so may seriously compromise disinfection performance and affect warranty coverage.

### General Conditions and Limitations

None of the above warranties cover damage caused by improper use or maintenance, accidents, acts of God or minor scratches or imperfections that do not materially impair the operation of the product. The warranties also do not cover products that are not installed as outlined in the applicable Owner's Manual.

Parts repaired or replaced under these warranties will be covered under warranty up to the end of the warranty period applicable to the original part.

The above warranties do not include the cost of shipping and handling of returned items

The limited warranties described above are the only warranties applicable to the VIQUA range of products. These limited warranties outline the exclusive remedy for all claims based on a failure of or defect in any of these products, whether the claim is based on contract, tort (including negligence), strict liability or otherwise. These warranties are in lieu of all other warranties whether written, oral, implied or statutory. Without limitation, no warranty of merchantability or of fitness for a particular purpose shall apply to any of these products.

VIQUA does not assume any liability for personal injury or property damage caused by the use or misuse of any of the above products. VIQUA shall not in any event be liable for special, incidental, indirect or consequential damages. VIQUA's liability shall, in all instances, be limited to repair or replacement of the defective product or part and this liability will terminate upon expiration of the applicable warranty period.

## Sección 1 Información de seguridad

Lea este manual en su totalidad antes de usar este equipo. Preste atención a todas las declaraciones de peligro, advertencia y precaución que figuran en este manual. No hacerlo podría resultar en lesiones graves o daños al equipo.

Asegúrese de no dañar la protección que proporciona el equipo. No use ni instale este equipo de manera distinta de la especificada en el manual de instalación.

### 1.1 Peligros potenciales

Lea todos los rótulos y etiquetas incluidos en el sistema. Si no se respetan, podrían producirse lesiones o daños al sistema.

	Residuos de aparatos eléctricos y electrónicos (RAEE). Este símbolo indica que no debe desechar residuos de aparatos eléctricos y electrónicos (RAEE) en la basura. Para su eliminación adecuada, póngase en contacto con su centro de reciclaje/reutilización o de desechos peligrosos.		Este símbolo indica que no se debe almacenar material combustible o inflamable cerca del sistema.
	Este símbolo indica que hay presencia de mercurio.		Este símbolo indica que el contenido del paquete de transporte es frágil y que el paquete se debe manipular con cuidado.
	Este es el símbolo de alerta de seguridad. Para evitar lesiones potenciales, respete todos los mensajes de seguridad que siguen a este símbolo. En el equipo, consulte el manual de funcionamiento y mantenimiento para obtener información adicional sobre la seguridad.		Este símbolo indica que se requiere el uso de gafas de seguridad con protección lateral para proteger contra la exposición a rayos UV.
	Este símbolo indica que existe un riesgo de descarga eléctrica o electrocución.		Este símbolo indica que se requiere el uso de guantes.
	Este símbolo indica que es posible que el equipo marcado contenga un componente que se podría expulsar con fuerza. Respete todos los procedimientos para realizar la despresurización segura.		Este símbolo indica que se requiere el uso de botas de seguridad.
	Este símbolo indica que el sistema está bajo presión.		Este símbolo indica que el operador debe leer toda la documentación disponible para realizar los procedimientos requeridos.
	Este símbolo indica que existe peligro de exposición a rayos UV. Se debe usar protección adecuada.		Este símbolo indica que el fontanero debe usar canalizaciones de cobre.
	Este símbolo indica que el artículo marcado podría estar caliente y no se debe tocar sin tomar las precauciones necesarias.		Este símbolo indica que el sistema se debe conectar únicamente a un receptáculo de control adecuadamente conectado a tierra y protegido con un interruptor de circuito de fallos de conexión a tierra (GFCI).
	Este símbolo indica que existe el potencial de agua MUY caliente cuando se inicie el flujo.		

**Advertencia:** Este producto puede contener productos químicos que, según considera el Estado de California, pueden provocar cáncer, deformaciones congénitas u otros problemas reproductivos.

### 1.2 Precauciones de seguridad

<b>⚠ PELIGRO</b>	
	<p>El incumplimiento de estas instrucciones puede ocasionar lesiones graves o la muerte.</p> <ul style="list-style-type: none"> <li><b>Descarga eléctrica:</b> Para evitar posibles descargas eléctricas, se deben tomar precauciones debido a la presencia de agua cerca de los equipos eléctricos. A menos que surja una situación que se indique explícitamente en las secciones de mantenimiento y solución de problemas, no intente realizar reparaciones usted mismo. Póngase en contacto con un proveedor de servicio autorizado.</li> <li><b>CONEXIÓN A TIERRA:</b> Este producto se debe conectar a tierra. En el caso de que se produzca un fallo o una avería, la conexión a tierra proporciona una ruta de menor resistencia de la corriente eléctrica para reducir el riesgo de descarga eléctrica. Este sistema viene equipado con un cable con conductor y toma de conexión a tierra. La toma se debe enchufar a una toma de corriente instalada correctamente, con conexión a tierra, de acuerdo con las leyes y normativas locales. La conexión inadecuada del conductor de conexión a tierra del equipo puede resultar en riesgo de electrocución. Si tiene dudas sobre si la toma de corriente está conectada a tierra correctamente, consulte con un electricista o personal de servicio cualificado. No modifique la toma que se suministra con este sistema. Si no cabe en la toma de corriente, solicite a un electricista cualificado que cambie la toma de corriente. No use ningún tipo de adaptador con este sistema.</li> <li><b>PROTECCIÓN DE INTERRUPTOR DE CIRCUITO DE FALLOS DE CONEXIÓN A TIERRA:</b> Para cumplir con el Código Eléctrico Nacional (NFPA 70) de Estados Unidos y proporcionar protección adicional contra el riesgo de descarga eléctrica, este sistema se debe conectar únicamente a un receptáculo de control adecuadamente conectado a tierra y protegido mediante un interruptor de circuito de fallos de conexión a tierra (GFCI). Inspeccione el funcionamiento del GFCI según el programa de mantenimiento sugerido por el fabricante.</li> <li>NO use el sistema de desinfección si su cable o toma está dañado, si no funciona correctamente o si se ha caído o dañado de algún modo.</li> <li>No use el sistema de desinfección para propósitos distintos de los previstos (aplicaciones de agua potable). El uso de accesorios no recomendados o comercializados por el fabricante o distribuidor pueden provocar condiciones inseguras.</li> <li>NO instale el sistema de desinfección en una ubicación en la que quedará expuesto a la intemperie o a temperaturas bajo cero.</li> <li>NO almacene este sistema de desinfección en una ubicación en la que quedará expuesto a la intemperie.</li> <li>NO almacene este sistema de desinfección en una ubicación en la que quedará expuesto a temperaturas bajo cero, a menos que el agua se haya drenado y el suministro de agua se haya desconectado.</li> </ul>

**Enhorabuena** por la compra de su sistema de desinfección de agua por luz ultravioleta (UV). Este sistema usa la tecnología UV más avanzada del mercado y está diseñado para proporcionarle años de funcionamiento sin problemas con un mínimo mantenimiento para proteger su agua potable contra contaminantes microbiológicos.

Para garantizar la continua desinfección del agua, las lámparas UV se deben reemplazar cada año por repuestos VIQUA de fábrica. Las lámparas VIQUA son fruto de un extenso desarrollo que ha resultado en una plataforma de desinfección altamente eficaz con un rendimiento de UV extremadamente estable a lo largo de todo su ciclo de vida de 9000 horas. Su éxito ha llevado a una proliferación de copias no originales en el mercado.

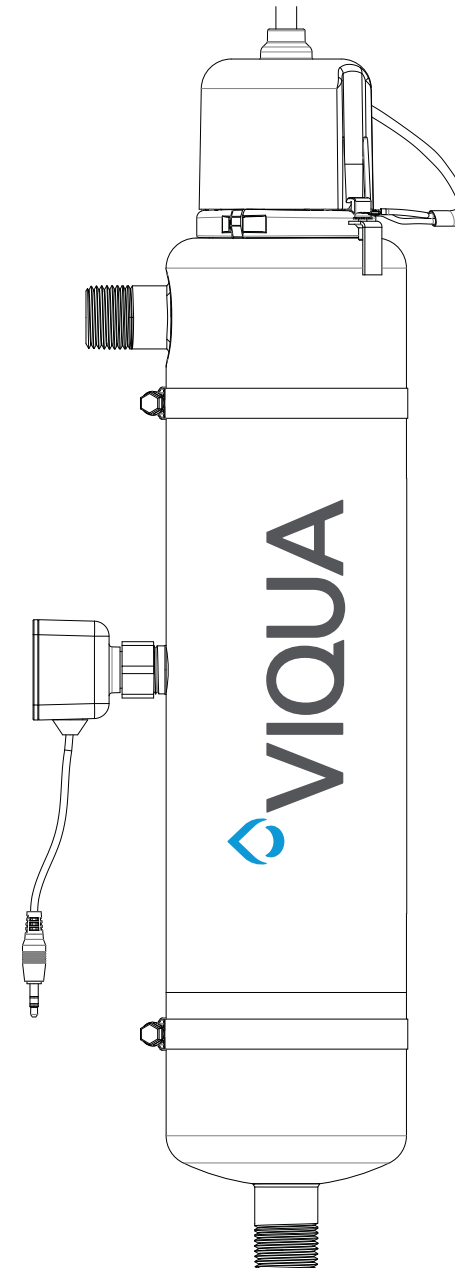
La lámpara UV es el corazón del sistema de desinfección y no debería hacer concesiones a la hora de reponerla.

¿Por qué debería insistir en obtener lámparas de reposición VIQUA originales de fábrica?

- Se ha demostrado que el uso de las lámparas de reposición no originales, disponibles ampliamente en el mercado, daña el módulo de control del equipo de desinfección UV VIQUA.
- El soporte técnico de VIQUA recibe cada vez más llamadas relacionadas con el uso (inadvertido) de lámparas de reposición no originales.
- Los daños derivados del uso de lámparas no originales implican un riesgo para la seguridad y no se cubren en la garantía del equipo.
- A menos que el equipo UV venga equipado con un sensor UV (monitor), no es posible comprobar la salida UV (invisible) de las lámparas de reposición.
- Un aspecto similar a la lámpara original y la presencia de la luz azul (visible) no significan que el rendimiento de desinfección sea equivalente.
- Las lámparas de reposición VIQUA se someten a rigurosas pruebas de rendimiento y estrictos procesos de control de calidad para garantizar que no se ponen en riesgo las certificaciones de seguridad y el rendimiento del equipo.

Como puede ver, simplemente no vale la pena correr el riesgo. Exija lámparas de reposición VIQUA originales.

# Manuel d'utilisation



**Modèle :**  
D4, E4, F4  
**+ Modèles :**  
D4+, E4+, F4+  
**Modèles validés :**  
D4-V, E4-V, F4-V  
D4-V+, E4-V+, F4-V+

Supporter par  


425 Clair Rd. W, Guelph, Ontario, Canada N1L 1R1  
t. (+1) 519.763.1032 • f. (+1) 800.265.7246 (US et Canada seulement)  
t. (+31) 73 747 0144 (Europe seulement) • f. (+1) 519.763.5069  
Courriel : info@viqua.com  
[www.viqua.com](http://www.viqua.com)



**Félicitations** pour l'achat de votre système de désinfection d'eau par ultraviolets (UV) ! Ce système fait appel à la technologie UV la plus récente sur le marché et il est conçu pour vous apporter des années de fonctionnement sans souci avec un minimum d'entretien pour protéger votre eau potable de toute contamination microbologique.

Pour assurer une désinfection continue de votre eau, les lampes UV doivent être remplacées chaque année par les pièces de rechange fournies par l'usine VIQUA. Les lampes VIQUA sont le résultat d'un important développement aboutissant à une plateforme de désinfection hautement efficace avec une production d'UV extrêmement stable sur toute la durée de vie de 9 000 heures. Son succès a mené à une prolifération de copies qui ne sont pas d'origine sur le marché.

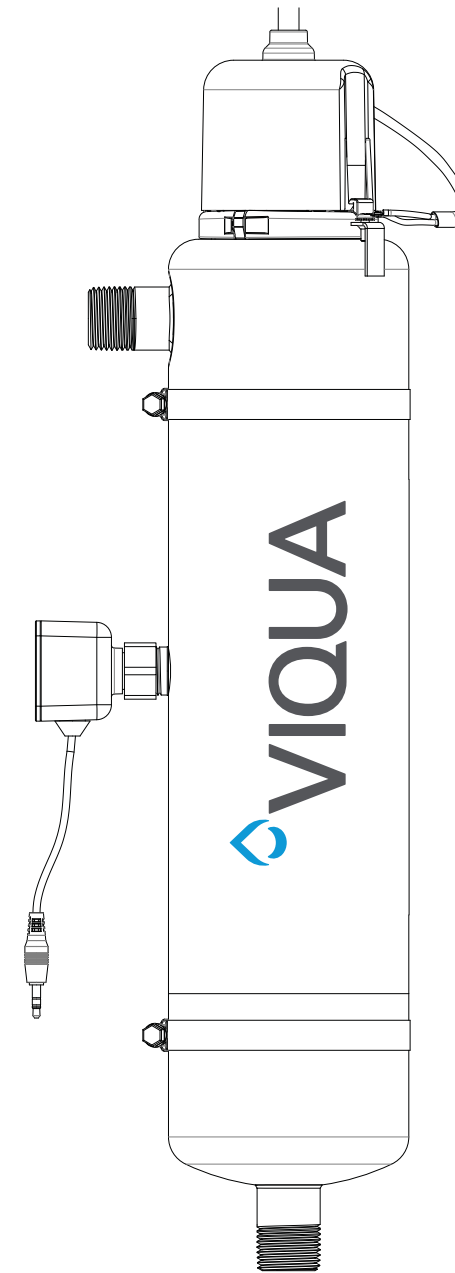
La lampe UV est le cœur du système de désinfection et aucun compromis n'est autorisé quand vient le moment de la remplacer.

Pourquoi vous devriez insister sur des lampes de rechange fournies par l'usine d'origine VIQUA ?

- Il a été démontré que l'utilisation de lampes de rechange qui ne sont pas d'origine et largement disponibles endommage le module du dispositif de commande du système de désinfection par UV VIQUA.
- Un nombre croissant d'appels au Service d'assistance technique VIQUA en lien avec les lampes qui ne sont pas d'origine utilisées (sans le savoir) comme pièces de rechange.
- Les dommages provenant de l'utilisation de lampes qui ne sont pas d'origine constituent un risque de sécurité et ne sont pas couverts par la garantie de l'équipement.
- À moins que l'équipement UV ne soit équipé d'un capteur à UV (écran), il est impossible de vérifier la production des UV (invisible) des lampes de rechange.
- Une apparence similaire à la lampe d'origine et la présence d'une lumière bleue (visible) ne garantissent pas une performance de désinfection équivalente.
- Les lampes de rechange VIQUA subissent des tests de performance rigoureux et des processus de contrôle de qualité stricts pour assurer que les certifications de performance et de sécurité de l'équipement d'origine ne sont pas compromises.

Ainsi, vous pouvez voir que ça ne vaut pas la peine de prendre le risque ! Insistez sur des lampes de rechange d'origine VIQUA.

# Owner's Manual



**Modelo:**  
D4, E4, F4  
**+ Modelos:**  
D4+, E4+, F4+  
**Modelos validados:**  
D4-V, E4-V, F4-V  
D4-V+, E4-V+, F4-V+

Desarrollado por



425 Clair Rd. W, Guelph, Ontario, Canadá N1L 1R1  
t. (+1) 519.763.1032 • f. (+1) 800.265.7246 (solo EE. UU. y Canadá)  
t. (+31) 73 747 0144 (solo Europa) • f. (+1) 519.763.5069  
correo electrónico: info@viqua.com  
[www.viqua.com](http://www.viqua.com)



## Section 8 Garantie du constructeur

### Notre engagement

VIQUA s'engage à dépasser vos attentes dans tous vos rapports avec nos produits comme avec notre société. Nous avons fabriqué votre système de désinfection par UV aux normes de qualité les plus élevées, nous apprécions nos clients à leur juste valeur. Pour tout besoin d'assistance ou question sur votre système, n'hésitez pas à contacter notre équipe de support technique au 1.800.265.7246 ou [technicalsupport@viqua.com](mailto:technicalsupport@viqua.com), nous nous ferons un plaisir de vous aider. Nous espérons sincèrement que vous profiterez de tous les avantages d'une eau de boisson propre et sûre après l'installation de votre système de désinfection VIQUA.

### Recours en garantie

**Remarque :** pour optimiser les performances de désinfection comme la fiabilité de votre produit VIQUA, le système doit être dimensionné, installé et entretenu correctement. Le manuel de l'utilisateur contient des instructions sur les paramètres nécessaires de qualité de l'eau comme sur les exigences d'entretien.

Au cas où une réparation ou un remplacement des pièces couvertes par cette garantie serait nécessaire, votre revendeur pourra se charger de la procédure. En cas de doute sur la couverture par la garantie d'un problème ou d'une défaillance de l'équipement, contactez notre équipe de support technique au 1.800.265.7246 ou par e-mail à l'adresse [technicalsupport@viqua.com](mailto:technicalsupport@viqua.com). Nos techniciens parfaitement formés pourront vous aider dans le dépannage du problème pour trouver une solution. Vous devez avoir à disposition le numéro du modèle (type du système), la date d'achat, le nom du revendeur auprès duquel vous avez acheté votre produit VIQUA (« revendeur source ») ainsi qu'une description du problème rencontré. La preuve d'achat pour tout recours en garantie peut être la facture d'origine ou la carte d'enregistrement du produit remplie et renvoyée précédemment par e-mail ou en ligne.

### Couverture spécifique de garantie

La couverture de garantie est spécifique à la gamme de produits VIQUA. La couverture de garantie est soumise aux conditions et aux limitations abordées dans « Conditions générales et limitations ».

#### Garantie limitée de dix ans pour la chambre à UV VIQUA

VIQUA garantit la chambre à UV du produit VIQUA contre tout défaut de matière et de main-d'œuvre pour une durée de dix (10) années à compter de la date d'achat. Dans cette période, VIQUA pourra remplacer ou réparer à son choix, toute chambre à UV VIQUA défectueuse. Veuillez renvoyer la pièce défectueuse à votre revendeur pour traitement de votre recours.

#### Garantie limitée de trois ans sur les composants matériels et électriques

VIQUA garantit les composants matériels et électriques (dispositif de commande) contre tout défaut de matière et de main-d'œuvre pour une durée de trois (3) années à compter de la date d'achat. Dans cette période, VIQUA pourra remplacer ou réparer à son choix, toute pièce défectueuse couverte par la garantie. Veuillez renvoyer la pièce défectueuse à votre revendeur pour traitement de votre recours.

#### Garantie limitée d'un an pour les lampes, manchons et capteurs UV

VIQUA garantit les lampes, manchons et capteurs UV contre tout défaut de matière et de main-d'œuvre pour une durée d'une (1) année à compter de la date d'achat. Dans cette période, VIQUA pourra remplacer ou réparer à son choix, toute pièce défectueuse couverte par la garantie. Votre revendeur pourra traiter votre recours et vous indiquer si le ou les éléments défectueux doivent être renvoyés pour analyse de panne.

**Remarque :** n'utilisez que des lampes et manchons de rechange d'origine VIQUA dans votre système. Le non-respect de cette prescription peut compromettre sérieusement les performances de désinfection et annuler votre garantie.

### Conditions générales et limitations

Aucune des garanties ci-dessus ne couvre les dégâts causés par une utilisation ou un entretien incorrect, par des accidents, catastrophes naturelles, et ne couvre pas les imperfections ou rayures mineures ne gênant pas matériellement le fonctionnement du produit. Les garanties ne couvrent pas non plus les produits qui n'ont pas été installés conformément aux instructions du manuel de l'utilisateur.

Les pièces réparées ou remplacées dans le cadre de ces garanties restent couvertes par la garantie jusqu'au terme de la garantie de la pièce d'origine.

Les garanties ci-dessus n'incluent pas le coût d'expédition et de manutention des articles renvoyés.

Les garanties limitées décrites ci-dessus sont les seules garanties applicables à la gamme de produits VIQUA. Ces garanties limitées détaillent le recours exclusif pour toute défaillance ou défaut d'un de ces produits, à titre contractuel, délictuel (y compris négligence), de la responsabilité du gardien de la chose ou autre. Ces garanties remplacent toutes autres garanties écrites, orales, implicites ou habituelles. Sans limitation, aucune garantie de qualité marchande ou d'adéquation à un usage particulier n'est applicable à aucun de ces produits.

VIQUA ne saurait être tenu responsable des blessures ou dommages aux biens causés par l'utilisation correcte ou abusive d'un des produits mentionnés ci-dessus. VIQUA ne saurait en aucun cas être responsable des dommages spéciaux, accessoires, indirects ou consécutifs. La responsabilité de VIQUA sera dans tous les cas limitée à la réparation ou au remplacement de la pièce ou du produit défectueux, cette responsabilité prendra fin à l'expiration de la période de garantie applicable.

## Informations de sécurité

## Section 1 Informations de sécurité

Veuillez lire la totalité de ce manuel avant d'utiliser cet équipement. Prêtez attention à toutes les mentions de danger, d'avertissement et d'attention dans ce manuel. Le non-respect de ces mentions pourrait conduire à des blessures graves de l'opérateur ou à des dommages sur l'équipement.

Assurez-vous que la protection fournie par cet équipement ne soit pas compromise. Ni utiliser ni installer cet équipement autrement que comme spécifié dans le manuel d'installation.

### 1.1 Dangers potentiels

Lisez toutes les étiquettes et autocollants fixés sur le système. Leur non-respect pourrait conduire à des blessures ou à des dommages sur le système.

	Déchets d'équipements électriques et électroniques (DEEE). Ce symbole indique que les déchets d'équipements électriques et électroniques (DEEE) ne doivent pas être jetés dans la poubelle. Pour une élimination appropriée, contactez votre centre de recyclage/réutilisation local ou un centre de déchets dangereux.		Ce symbole indique de ne pas stocker de matière combustible ou inflammable à proximité du système.
	Ce symbole indique qu'il y a du mercure présent.		Ce symbole indique que le contenu de l'emballage de transport est fragile et que le colis doit être manipulé avec soin.
	Ce symbole est une alerte de sécurité. Respectez les messages de sécurité suivant ce symbole pour éviter des risques de blessures. Lorsqu'il se trouve sur l'équipement, consultez le manuel d'utilisation et d'entretien manuel d'utilisation et de maintenance pour des informations sur la sécurité supplémentaires.		Ce symbole indique que des lunettes de sécurité avec protections latérales sont exigées pour la protection contre une exposition à des UV.
	Ce symbole indique un risque d'électrocution ou de décharge électrique.		Ce symbole indique que des gants doivent être utilisés.
	Ce symbole indique que l'équipement marqué peut contenir un composant qui peut s'éjecter vigoureusement. Respectez toutes les procédures pour une dépressurisation sûre.		Ce symbole indique que des bottes de sécurité doivent être utilisées.
	Ce symbole indique que le système est sous pression.		Ce symbole indique que l'opérateur doit lire toute la documentation disponible pour effectuer les procédures nécessaires.
	Ce symbole signale un risque potentiel d'UV. Une protection appropriée doit être portée.		Ce symbole indique que le plombier doit utiliser des tuyaux en cuivre.
	Ce symbole indique que le composant marqué peut être chaud et ne devrait pas être touché sans précaution.		Ce symbole indique que le système devrait être connecté à une prise correctement mise à la terre protégée par un disjoncteur de fuite de terre (DFT).
	Ce symbole indique qu'il y a un risque potentiel d'eau TRÈS chaude lorsque l'écoulement commence.		

**Avertissement :** ce produit peut contenir des produits chimiques connus par l'État de Californie pour causer des cancers, des anomalies congénitales et autres problèmes reproductifs.

### 1.2 Précautions de sécurité

<b>⚠ DANGER</b>	
	<p>Le non-respect de ces instructions conduira à des blessures graves ou mortelles.</p> <ul style="list-style-type: none"> <li>• <b>Choc électrique :</b> pour éviter tout choc électrique, une attention particulière doit être observée car de l'eau est présente à côté de l'équipement électrique. À moins qu'une situation rencontrée soit explicitement abordée dans les sections de maintenance et de dépannage fournies, n'essayez pas de réparer par vous-même, reportez-vous au centre de service autorisé.</li> <li>• <b>MISE À LA TERRE :</b> ce produit doit être mis à la terre. Si un dysfonctionnement ou une panne devait survenir, la mise à la terre fournit un chemin de moindre résistance au courant électrique afin de réduire le risque de choc électrique. Ce système est équipé d'un cordon muni d'un conducteur de terre et d'une fiche de mise à la terre. La fiche doit être branchée dans une prise appropriée correctement installée et mise à la terre conformément aux codes et règlements locaux. Un mauvais branchement du conducteur de terre peut entraîner un risque d'électrocution. Consultez un électricien ou technicien de maintenance qualifié en cas de doute sur la mise à la terre correcte de la prise. Ne modifiez pas la fiche fournie avec ce système, si elle ne rentre pas dans la prise, faites installer la bonne prise par un électricien qualifié. N'utiliser aucun adaptateur avec ce système.</li> <li>• <b>DISJONCTEUR DE FUITE DE TERRE :</b> pour être en conformité avec le Code national de l'électricité (NFPA 70) et fournir une protection supplémentaire par rapport au risque de choc électrique, ce système ne devrait être branché que sur une prise correctement mise à la terre protégée par un disjoncteur de fuite de terre (DFT). Vérifiez le fonctionnement du DFT selon le calendrier de maintenance proposé par le constructeur.</li> <li>• NE PAS faire fonctionner le système de désinfection si un cordon ou une prise est endommagé(e), s'il fonctionne mal ou s'il a été échappé ou endommagé d'une manière ou d'une autre.</li> <li>• NE PAS utiliser ce système de désinfection pour toute autre application (la purification d'eau potable prévue). L'utilisation d'accessoires non recommandés ou vendus par le distributeur ou le constructeur peut causer un problème de sécurité.</li> <li>• NE PAS installer ce système de désinfection dans des lieux exposés aux intempéries ou au gel.</li> <li>• NE PAS stocker ce système de désinfection où il serait exposé aux intempéries.</li> <li>• NE PAS stocker ce système de désinfection où il serait exposé au gel à moins qu'il n'y ait plus du tout d'eau dedans et que l'alimentation en eau ait été débranchée.</li> </ul>

## ⚠️ AVERTISSEMENT



Pendant les longues périodes où l'eau ne s'est pas écoulee, l'eau de votre chambre peut devenir très chaude (environ 60 °C) et potentiellement mener à des brûlures. Il est recommandé de faire couler l'eau jusqu'à ce que cette eau chaude ait été purgée de votre chambre. Ne mettez pas l'eau en contact avec votre peau pendant ce temps. Pour résoudre ce problème, il est possible d'installer une vanne de régulation de la température sur le robinet de votre système UV.

## ⚠️ ATTENTION



Le non-respect de ces instructions peut conduire à des blessures mineures voire modérées.

- Examiner soigneusement le système de désinfection après son installation. Il ne doit pas être branché en cas de présence d'eau sur les pièces non prévues pour être mouillées, par exemple dispositif de commande ou connecteur de la lampe.
- En raison de préoccupations liées à la dilatation thermique et la dégradation potentielle des matériaux due à l'exposition aux UV, il est recommandé d'utiliser des raccords métalliques et de la tuyauterie en cuivre d'au moins 10" à la sortie de votre chambre UV.

## AVIS



- La lampe UV à l'intérieur du système de désinfection a une durée de vie nominale d'environ 9000 heures. Pour une protection permanente, remplacez la lampe UV chaque année.
- Les enfants ne doivent pas utiliser ou jouer avec le système UV. Les personnes avec des capacités physiques, sensorielles ou mentales réduites, ou un manque d'expérience et de connaissances, ne doivent pas non plus manipuler le système UV à moins qu'elles soient supervisées ou formées.
- RALLONGES** : si une rallonge est nécessaire, utilisez seulement les rallonges 3 fils qui ont des fiches de mise à la terre à 3 branches et des connecteurs de cordon à 3 trous qui acceptent la fiche de ce système. Utilisez seulement les rallonges destinées à être utilisées en extérieur. Utilisez seulement les rallonges avec une puissance électrique qui n'est pas inférieure à la puissance du système. Un cordon avec une puissance en ampères ou en watt inférieure à celle de ce système pourrait surchauffer. Faites preuve de prudence lorsque vous arrangez le cordon afin qu'il ne soit pas tiré ou qu'on ne s'y prenne pas les pieds dedans. N'utilisez PAS de rallonges endommagées. Vérifiez la rallonge avant de l'utiliser, et remplacez-la si elle est endommagée. N'utilisez PAS trop de rallonges. Tenez les rallonges loin des sources de chaleur et des bords tranchants. Débranchez toujours la rallonge de la prise avant de débrancher ce système de la rallonge. Ne tirez jamais sur le cordon pour débrancher de la prise. Attrapez toujours la prise et tirez pour débrancher.
- PROTECTION DU SYSTÈME** : un suppresseur de tension transitoire certifié UL 1449 (ou équivalent) est fortement recommandé pour protéger le dispositif de commande.
- La lampe UV de ce système est conforme aux dispositions applicables des exigences du Code des règlements fédéraux (CFR) comprenant, Titre 21, chapitre 1, sous-chapitre J, Santé radiologique.
- S'assurer d'avoir lu et bien compris le Manuel de l'utilisateur avant utilisation et avant toute intervention d'entretien sur cet équipement.

### 1.3 Propriétés chimiques de l'eau

La qualité de l'eau est extrêmement importante pour la performance optimale de votre système UV. Les niveaux suivants sont recommandés pour l'installation :

Qualité de l'eau et minéraux	Niveau
Fer	< 0,3 ppm (0,3 mg/l)
Dureté*	< 7 gpg (120 mg/l)
Turbidité	< 1 NTU
Manganèse	< 0,05 ppm (0,05 mg/l)
Tanins	< 0,1 ppm (0,1 mg/l)
Transmittance UV	> 75 % (appeler l'usine pour des recommandations sur les applications dans les cas où la TUV < 75 %)

\* Dans les cas où la dureté totale est inférieure à 7 gpg, l'unité UV devrait fonctionner efficacement si le manchon en quartz est nettoyé périodiquement. Si la dureté totale dépasse 7 gpg, l'eau devrait être adoucie. Si les propriétés chimiques de votre eau contiennent des niveaux supérieurs à ceux qui sont mentionnés ci-dessus, un pré-traitement approprié est recommandé pour corriger les problèmes de l'eau avant d'installer votre système de désinfection par UV. Ces paramètres de qualité de l'eau peuvent être testés par votre fournisseur local ou par la plupart des laboratoires d'analyses privés. *Un pré-traitement approprié est essentiel pour que le système de désinfection par UV fonctionne comme prévu.*

## Section 7 Caractéristiques

Paramètres de fonctionnement	Général (Tous les modèles)	Modèles (-V) Classe B Norme NSF 55 :
Pression maximale de fonctionnement	862 kPa (125 psi)	862 kPa (125 psi)
Pression minimale de fonctionnement	27,5 kPa (4 psi)	27,5 kPa (4 psi)
Température ambiante maximale	122 °F (50 °C)	122 °F (50 °C)
Température ambiante minimale	32 °F (0 °C)	32 °F (0 °C)
Humidité maximale	100%	100%
Dureté maximale	120 ppm (7 grains par gallon)	120 ppm (7 grains par gallon)
Fer maximum	0,3 ppm	0,3 ppm
TUV minimale	75%	75%
Installation	Verticale ou horizontale*	Verticale ou horizontale*
Limiteur de débit	-	Oui
Certification NSF	-	Classe B Norme NSF 55
Durée de fonctionnement nominale de la lampe	1 an	1 an
Certification du système UV		

Modèle		D4/D4+ D4-V/D4-V+	E4/E4+ E4-V/E4-V+	F4/F4+ F4-V/F4-V+
Flow Rate (Débit)	Débit maximum à la dose de 16 mJ/cm <sup>2</sup> @ 95 % TUV	23 gpm (87 lpm) (5,22 m <sup>3</sup> /hr)	42 gpm (160 lpm) (9,54 m <sup>3</sup> /hr)	45 gpm (170 lpm) (10,22 m <sup>3</sup> /hr)
	Débit maximum à la dose de 30 mJ/cm <sup>2</sup> @ 95 % TUV	12 gpm (45 lpm) (2,73 m <sup>3</sup> /hr)	22 gpm (83 lpm) (5 m <sup>3</sup> /hr)	36 gpm (136 lpm) (8,18 m <sup>3</sup> /hr)
	Débit maximum à la dose de 40 mJ/cm <sup>2</sup> @ 95 % TUV	9 gpm (34 lpm) (2,04 m <sup>3</sup> /hr)	16 gpm (60 lpm) (3,63 m <sup>3</sup> /hr)	27 gpm (102 lpm) (6,13 m <sup>3</sup> /hr)
	Débit nominal pour NSF Norme 55, Classe B (Versions -V seulement)	8,9 gpm (33,7 lpm) (2,02 m <sup>3</sup> /hr)	15,8 gpm (59,8 lpm) (3,6 m <sup>3</sup> /hr)	26,1 gpm (98,8 lpm) (5,93 m <sup>3</sup> /hr)
Électrique	Tension	100-240V AC	100-240V AC	100-240V AC
	Fréquence	50-60 Hz	50-60 Hz	50-60 Hz
	Courant max.	0,5 ampères	0,85 ampères	1,2 ampères
	Consommation électrique max.	50 watts	83 watts	130 watts
	Alimentation lampe	40 watts	70 watts	110 watts
Autre	Matériau de la chambre UV	Acier inoxydable 304	Acier inoxydable 304	Acier inoxydable 304
	Entrée/Sortie	NPT 3/4 po	NPT 1 po	NPT 1 po

### 6.1 Alarmes d'UV faibles (modèles + seulement) certifiées et non certifiées



\* Dans certains cas, des écoulements à court terme d'eau à faible transmittance d'ultraviolet (TNE) peuvent être créés à la suite et pendant le cycle de régénération d'un adoucisseur d'eau, provoquant une alarme du capteur. Le rinçage du système UV soulage cette condition jusqu'à ce que l'adoucisseur passe par un autre cycle de régénération. À plus long terme, les paramètres de l'adoucisseur doivent être modifiés. Pour rincer le système UV, désinfecter les canalisations d'eau. Consultez la [Section 3.2](#).

\*\* Consultez la [Section 4.1](#).

\*\*\* Contactez VIQUA ou votre revendeur en traitement d'eau pour tester la TUV de l'eau.

### Section 2 Informations générales

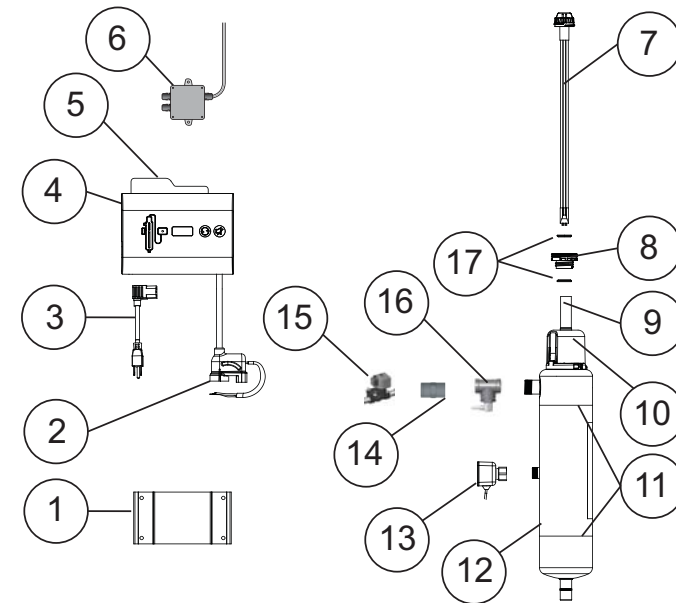


Figure 1 Composants de modèle

Composant	Description	Référence	Systemes UV
1	Support de fixation du dispositif de commande	-	Utilisé sur tous les modèles
2	Cordon de lampe	-	Utilisé sur tous les modèles
3	Cordon d'alimentation	602636 (120V)	Utilisé sur les modèles 120V
		602637 (230V)	Utilisé sur les modèles 230V
4	Dispositif de commande (comprend le support de fixation du dispositif de commande, la carte de référence, le bouchon de sécurité, le cordon de la lampe)	650713-007	Utilisé sur tous les modèles
5	Carte de référence	603069	Utilisé sur tous les modèles
6	Boîte de dérivation (en option)	650705	Utilisé sur tous les modèles
7	Lampe (comprend les joints toriques)	602805	D4, D4+, D4-V, D4-V+
		602806	E4, E4+, E4-V, E4-V+
		602807	F4, F4+, F4-V, F4-V+
8	Boulon de manchon	602665	Utilisé sur tous les modèles
9	Manchon (comprend les joints toriques)	602732	D4, D4+, D4-V, D4-V+
		602733	E4, E4+, E4-V, E4-V+
		602734	F4, F4+, F4-V, F4-V+
10	Bouchon de sécurité	603000	Utilisé sur tous les modèles
11	Pince(s) de la chambre	-	Utilisé sur tous les modèles
12	Chambre à UV	650712-001	E4, E4-V
		650712-002	E4+, E4-V+
		650712-005	F4, F4-V
		650712-006	F4+, F4-V
		650712-013	D4, D4-V
650712-014	D4+, D4-V+		
13	Capteur	650703	Modèles Plus
14	Limiteur de débit*	440267-R	D4-V, D4-V+
		440268-R	E4-V, E4-V+
		440269-R	F4-V, F4-V+

Composant	Description	Référence	Systèmes UV
15	Kit d'électrovanne (en option) (comprend une boîte de dérivation)	650717-001	D4 (3/4")
		650717-002	E4, F4, F4+ (1")
16	Vanne CoolTouch (en option)	650537	D4, D4+, D4-V, D4-V+ (3/4")
		650538	E4, E4+, E4-V, E4-V+, F4+(1") F4-V (1"), F4-V+ (1")
17	Joint torique	002026	Utilisé sur tous les modèles

Pour trouver le modèle que vous avez, regardez l'étiquette sur le côté du dispositif de commande comme décrit ci-dessous :



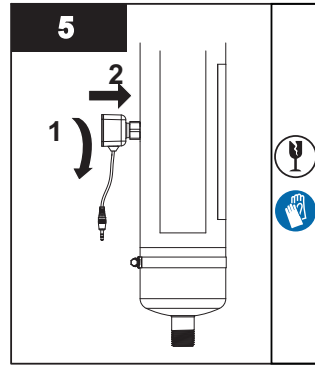
Figure 2 Modèle D/E/F- Composants du dispositif de commande

Paramètres de fonctionnement	D4/D4+/D4-V/D4-V+	E4/E4+/E4-V/E4-V+	F4/F4+/F4-V/F4-V+
Entretien sans outils	Oui	Oui	Oui
Bouchon de sécurité et prise de lampe spéciale	Oui	Oui	Oui
Indicateur du fonctionnement de la lampe	Oui	Oui	Oui
Indicateur du fonctionnement du dispositif de commande	Oui	Oui	Oui
Indicateur du fonctionnement du capteur	D4+	E4+	F4+
Capteur	D4+	E4+	F4+
Carte de référence	Oui	Oui	Oui
Affichage du compteur de lampe	Oui	Oui	Oui
Bouton de réinitialisation du compteur de la lampe	Oui	Oui	Oui
Bouton de mise en discrétion	Oui	Oui	Oui
Électrovanne	En option	En option	En option
Relais de commande externe	En option	En option	En option

## Section 6 Dépannage

Symptôme	Cause possible	Solution Possible
Pas d'alimentation	Le disjoncteur de fuite de terre (DFT) et/ou le disjoncteur s'est déclenché	Réinitialiser le DFT et/ou disjoncteur
	Suppresseur de tension transitoire (TVSS) endommagé	Remplacer le TVSS
	Dispositif de commande endommagé	Remplacer le dispositif de commande et utiliser un TVSS
Le DFT ou le disjoncteur s'est déclenché à maintes reprises	La connexion entre la lampe et la prise de la lampe est humide	Nettoyer et sécher les broches de la lampe et la prise de la lampe, vérifier l'étanchéité de l'appareil ou de la condensation
	Court-circuit dans l'assemblage électrique	Remplacer le dispositif de commande
Fuite au niveau de l'entrée ou de la sortie	Les raccords de tuyaux filetés fuient	Nettoyer les filetages, resceller avec du ruban Téflon et resserrer
Fuite détectée dans la zone de la chambre UV	Condensation d'air humide sur la chambre froide (accumulation lente)	Contrôler l'humidité ou déplacer unité.
	Joint torique endommagé, s'est détérioré ou est incorrectement installé	Inspecter et remplacer en cas de détérioration.
	Ensemble lampe/manchon mal installé (trop serré ou pas assez serré)	Serrer l'ensemble à la main.
Fuite détectée sur le capteur (si applicable)	Les joints toriques du capteur UV sont endommagés, détériorés ou mal installés	Inspecter et remplacer les joints toriques en cas de détérioration
Alarme	Consultez la <a href="#">Section 4.1</a> .	Consultez la <a href="#">Section 4.1</a> .
Le système fonctionne mais les tests de l'eau révèlent une contamination bactérienne	L'équipement en aval du système UV agit comme un terreau fertile pour les agents pathogènes	Garantir que les UV sont la dernière pièce d'équipement de traitement
	Les agents pathogènes résident dans les lignes de distribution après les UV	S'assurer que toutes les lignes de distribution ont été désinfectées à la chlorure. Consultez la <a href="#">Section 3.2</a> .
	Recontamination des embouts de tuyau	Retirer tous les embouts de tuyaux et rincer à la chlorure. Consultez la <a href="#">Section 3.2</a> .
Le compteur de la lampe n'affiche rien	L'unité est débranchée.	Brancher l'unité dans la prise d'alimentation
	Pas de courant dans la prise	Remplacer le fusible ou réinitialiser le disjoncteur
	Le cordon d'alimentation est endommagé	Remplacer le cordon d'alimentation
	Une surtension a causé des dommages à l'ensemble électrique	Remplacer le dispositif de commande et utiliser un limiteur de surtension (TVSS)





- Déposez le capteur UV.
- Une fois la révision terminée, remonter les pièces dans l'ordre inverse de la dépose.

**Remarques :** 1) Après avoir remplacé la lampe UV ou le manchon en quartz, effectuez la procédure de désinfection, consultez la [Section 3.2](#).

2) Si le système est placé temporairement en dérivation ou s'il est contaminé après la désinfection du système, il est nécessaire de compléter la procédure de désinfection, consultez la [Section 3.2](#).

## 2.1 Dimensions et agencement

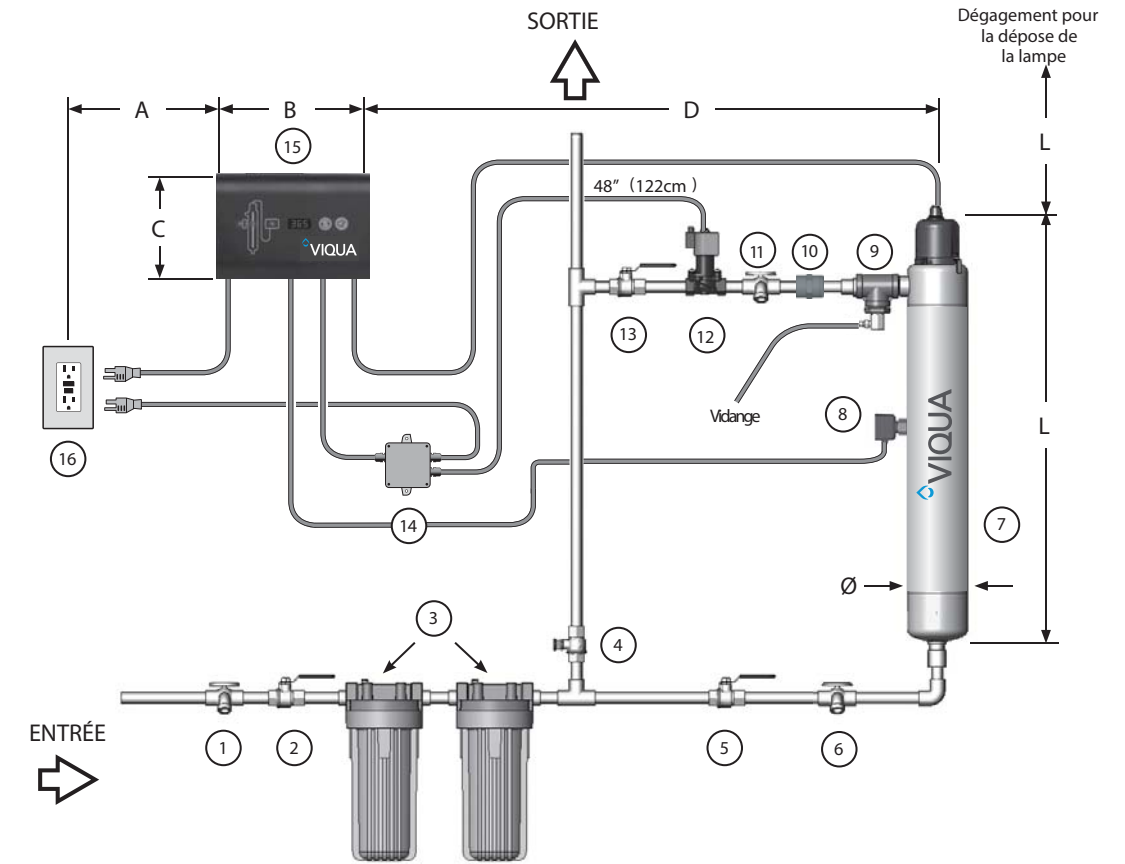


Figure 3 Système - Dimension et agencements

Composant	Description	Fonction
1	Vanne d'échantillonnage	Permet l'échantillonnage de l'eau brute.
2	Vanne d'arrêt	Nécessaire pour permettre l'entretien de l'équipement de prétraitement.
3	Prétraitement	Consultez la <a href="#">Section 1.3</a> . <b>Remarque :</b> un filtre à sédiments de 5 microns (nominal) doit être installé avant le système UV et après tout équipement adoucisseur d'eau.
4	Vanne d'arrêt de dérivation	Conduite et vanne de dérivation en option. Destiné à fournir l'approvisionnement d'urgence en eau dans le cas où le système UV est indisponible.
5	Vanne d'arrêt	Nécessaire pour permettre l'entretien du système UV.
6	Vanne d'échantillonnage	Permet l'échantillonnage d'eau entrant dans la chambre UV ; nécessaire afin de confirmer que l'eau traitée est de qualité adéquate.
7	Chambre à UV	Fournit la désinfection de l'eau. Doit installer les chambres modèle + verticalement.
8	Capteur	Composant en option inclus avec les modèles +. Contrôle la sortie des UV pour garantir qu'une dose convenable (exposition aux UV) est fournie.
9	Vanne CoolTouch™	Vidange l'eau de la chambre qui a été chauffée par la lampe pendant les périodes sans débit.
10	Limiteur de débit	Restreint l'eau de s'écouler au débit maximum certifié NSF, assurant le maintien de la dose UV adéquate.
11	Vanne d'échantillonnage	Permet l'échantillonnage d'eau immédiatement après un traitement aux rayons UV ; nécessaire afin de confirmer le bon fonctionnement du système de traitement aux rayons UV.
12	Électrovanne	La pièce d'équipement en option doit être utilisée avec une boîte de dérivation. Permet l'arrêt de l'alimentation d'eau quand la désinfection convenable ne peut pas être assurée. <b>Remarque :</b> si la masse de votre panneau électrique est reliée à vos conduites d'eau en cuivre et vous utilisez une électrovanne, l'installation d'une barrette de masse est nécessaire. La barrette de masse permettra de maintenir la continuité entre les canalisations qui ont été coupées pour installer l'électrovanne. Vérifier votre code électrique local pour la bride de serrage et la taille de câble correctes.
13	Vanne d'arrêt	Nécessaire pour permettre l'entretien du système UV.

Composant	Description	Fonction
14	Boîte de dérivation	En option : alimente les électrovannes, les alarmes à distance et les composeurs automatiques.
15	Dispositif de commande	Alimente et contrôle la lampe UV et autres dispositifs. Fournit l'interface humaine, l'affichage d'informations et permet des entrées de commande (telle que la mise en sourdine de l'alarme sonore).
16	Source d'alimentation	Apporte le courant au dispositif de commande. Pour des raisons de sécurité, la sortie doit être protégée par un disjoncteur de fuite de terre (GFCI). REMARQUE : un suppresseur de tension transitoire certifié UL 1449 (ou équivalent) est nécessaire pour protéger le dispositif de commande.

Modèle	L	Ø	A (maximum)	B	C	D (maximum)
D4/D4+/D4-V/D4-V+	20,5" (52cm)	4" (10cm)	72" (183cm)	8,5" (22cm)	6" (15cm)	54" (137cm)
E4/E4+/E4-V/E4-V+	30" (76cm)	4" (10cm)	72" (183cm)	8,5" (22cm)	6" (15cm)	54" (137cm)
F4/F4+/F4-V/F4-V+	44,25" (112,4cm)	4" (10cm)	72" (183cm)	8,5" (22cm)	6" (15cm)	54" (137cm)

## Section 3 Installation

### ATTENTION

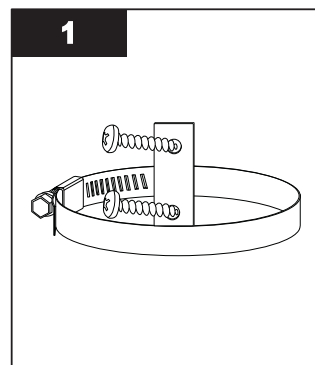
Le dispositif électronique de commande doit être connecté à une prise à disjoncteur de fuite de terre (DFT). Assurez-vous que la borne du fil vert de mise à la terre est solidement fixée à la borne de masse sur la chambre à UV.

### 3.1 Installation du système UV

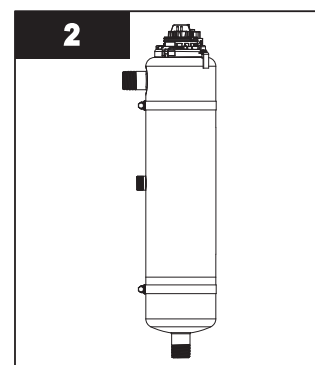
#### Préalables :

- Déterminer l'emplacement approprié à l'intérieur du dispositif de commande et de la chambre. Consultez la [Figure 3](#).
- S'assurer d'un dégagement approprié au-dessus de la chambre pour permettre la dépose de la lampe et du manchon.
- S'assurer de couper l'arrivée principale de l'eau.
- Fixer le système au mur avec les tire-fonds appropriés via les deux trous de fixation situés sur le support métallique. Les tire-fonds fournis sont adaptés à la fixation au bois. (Les fixations sur d'autres matériaux nécessiteront l'achat d'autres matériels).
- Réaliser tous les branchements de plomberie nécessaires. Consultez la [Figure 3](#).

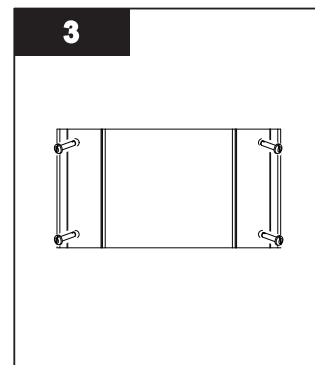
#### Procédure :



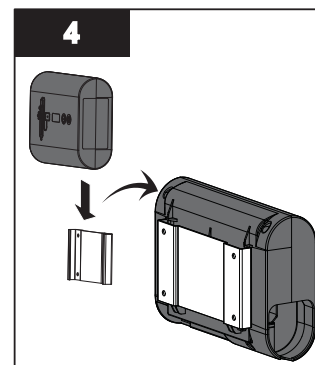
- Visser les pinces de la chambre au mur (vis #10 recommandées.)



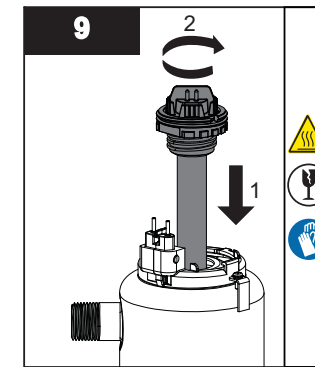
- Insérer la chambre et serrer les pinces.
- Réaliser tous les branchements de plomberie nécessaires. Consultez la [Section 2.1](#).



- Monter le support de fixation du dispositif de commande au mur avec quatre vis #8 (non fournies).

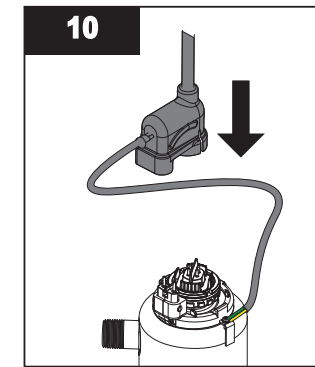


- Faire glisser le dispositif de commande sur le support de fixation.

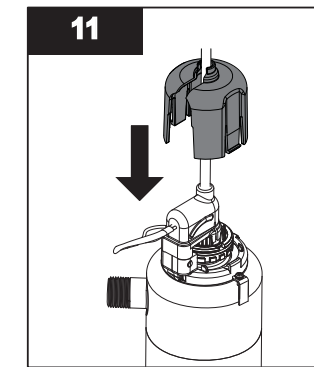


- Insérer et sécuriser l'assemblage lampe/manchon.

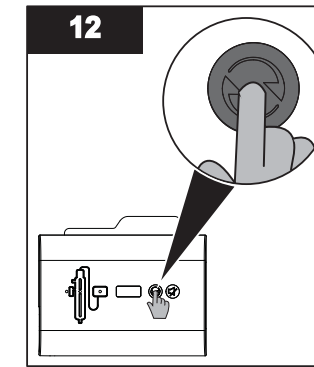
**Remarque :** serrer trop fort pourrait casser le manchon.



- Aligner les connexions en faisant tourner le collier de serrage et installer la prise de la lampe.



- Insérer le bouchon de sécurité.



- Rétablir le courant.
- Si une nouvelle lampe a été insérée, appuyer et maintenir le bouton de réinitialisation du compteur de lampe pendant 5 secondes. L'écran devrait afficher **365**.
- Ouvrir tous les robinets et les entrées d'eau. Rechercher la présence éventuelle de fuites.

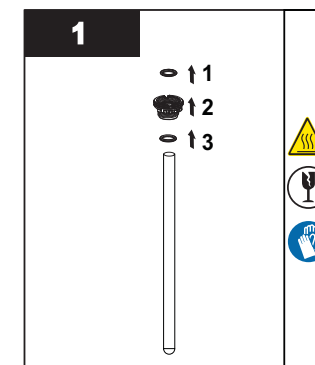
### 5.2 Nettoyage et remplacement du manchon en quartz

**Remarque :** les matières minérales dans l'eau forment progressivement un dépôt sur le manchon de quartz. Ce dépôt doit être éliminé parce qu'il réduit la quantité de lumière UV qui atteint l'eau, et limite donc les performances de désinfection. S'il n'est pas possible de nettoyer le manchon, celui-ci doit être remplacé.

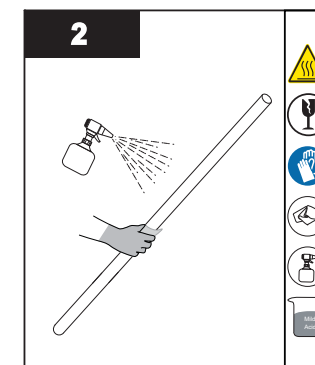
#### Préalables :

- Couper l'arrivée d'eau et vidanger toutes les canalisations.
- Dépressuriser l'unité. Placer un petit seau sous l'unité pour récupérer tout écoulement.
- Déposer la lampe UV. Consultez la [Section 5.1](#).

#### Procédure :

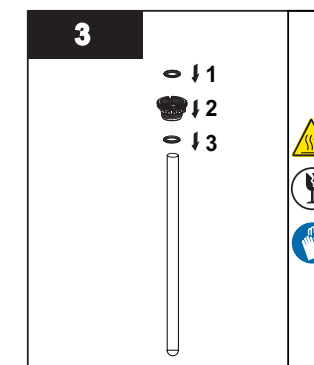


- Dévisser le boulon de manchon et le joint torique du manchon en quartz.

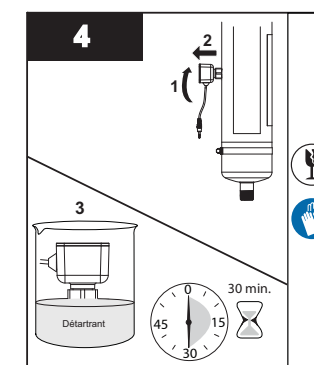


- Nettoyer le manchon en quartz avec un chiffon imbibé de CLR, de vinaigre ou tout autre acide doux, puis rincer à l'eau.

**Remarque :** si le manchon ne peut pas être nettoyé ou s'il est rayé ou fissuré, remplacer le manchon.



- Insérer le nouveau joint torique et serrer le boulon de manchon sur le manchon en quartz.
- Une fois la révision terminée, remonter les pièces dans l'ordre inverse de la dépose.



- Déposer le capteur UV
- Immerger l'extrémité du capteur pendant 30 minutes dans du détartrant et essuyer avec un coton-tige propre.

## Section 5 Maintenance

**⚠ AVERTISSEMENT**

- Toujours débrancher l'alimentation avant d'effectuer tout travail sur le système de désinfection.
- Toujours arrêter l'écoulement d'eau et relâcher la pression d'eau avant de procéder à l'entretien.
- Inspecter régulièrement votre système de désinfection pour s'assurer que les indicateurs d'alimentation sont sous tension et qu'aucune alarme n'est présente.
- Remplacer la lampe UV chaque année (ou tous les deux ans en cas de résidence secondaire) pour assurer une désinfection maximale.
- Toujours vidanger la chambre UV lors de la fermeture d'une résidence secondaire ou lorsque l'unité est laissée dans une zone soumise à des températures glaciales.

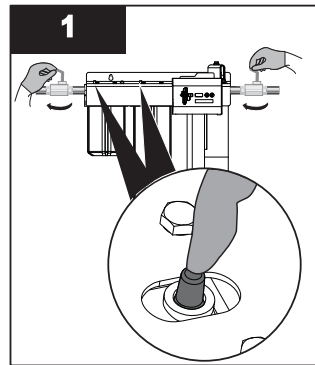
## 5.1 Remplacement de la lampe UV

**AVIS**

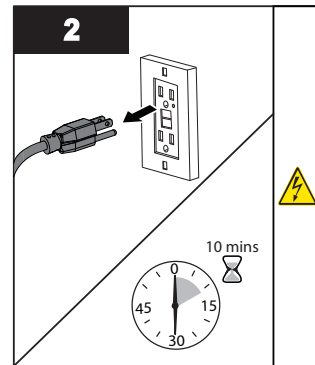
Ne pas utiliser d'eau pendant le remplacement de la lampe UV.

Le remplacement d'une lampe est une procédure simple et rapide ne nécessitant aucun outil spécial. La lampe UV doit être remplacée après 9 000 heures de fonctionnement continu (environ un an) pour assurer une désinfection appropriée.

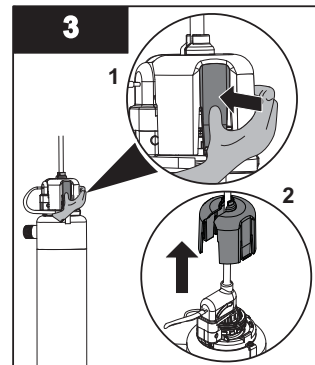
## Procédure :



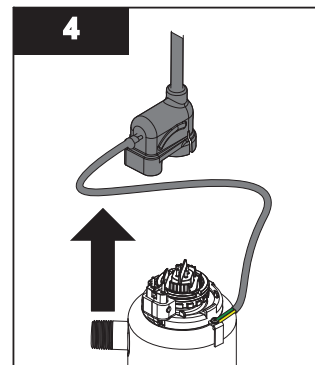
- Fermer tous les robinets et l'alimentation en eau.
- Appuyer sur le bouton de décharge de pression pour libérer la pression des cartouches.



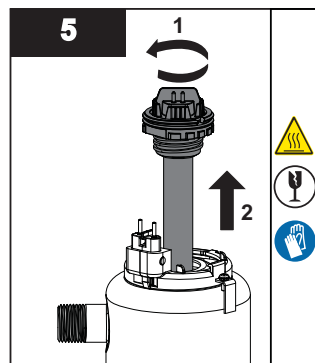
- Débrancher la source d'alimentation principale et laisser l'unité refroidir pendant 10 minutes.



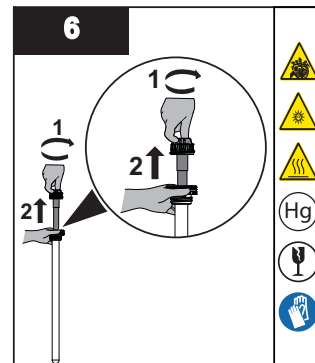
- Déposer le bouchon de sécurité en appuyant sur les onglets.  
**Remarque :** s'assurer que les fils de la prise de la lampe restent connectés.



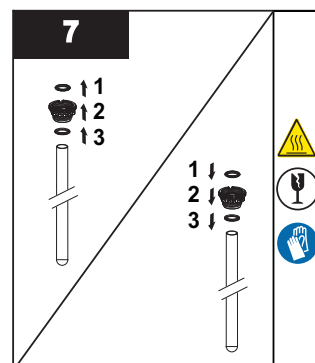
- Déposer la prise de la lampe.  
**Remarque :** s'assurer que les fils du réducteur de tension restent connectés.



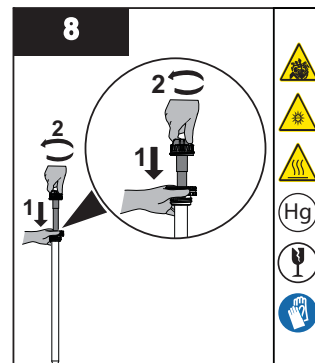
- Déposer l'assemblage lampe/manchon avec le bouchon du manchon de la chambre.



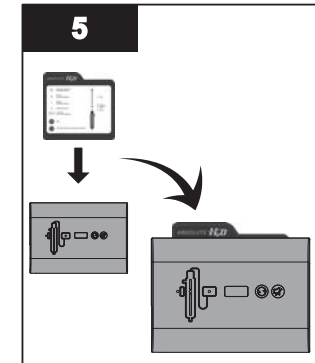
- Dévisser la lampe UV en maintenant le bouchon du manchon.



- Déposer le bouchon de manchon et les 2 joints toriques du manchon.
- Installer 2 nouveaux joints toriques sur le manchon de chaque côté du bouchon de manchon, comme indiqué sur l'image.

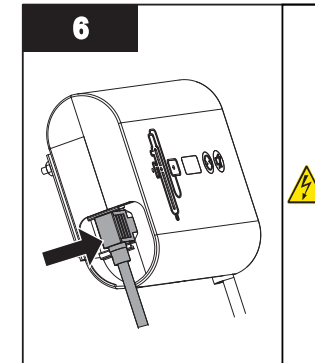


- Installer et sécuriser la nouvelle lampe dans le manchon.  
**Remarque :** serrer trop fort pourrait casser le manchon.

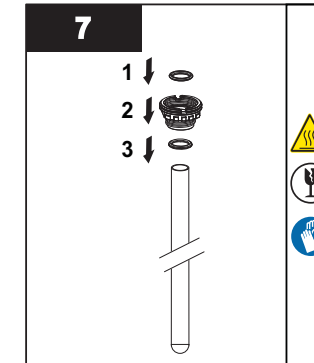


- Insérer la carte de référence entre le dispositif de commande et le support de fixation.

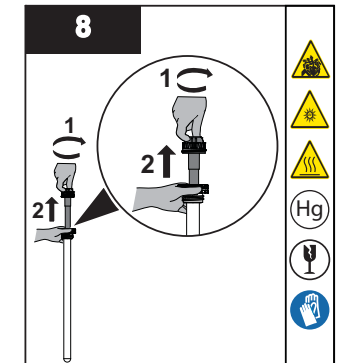
**Remarque :** la sortie doit être protégée par un disjoncteur de fuite de terre (DFT).



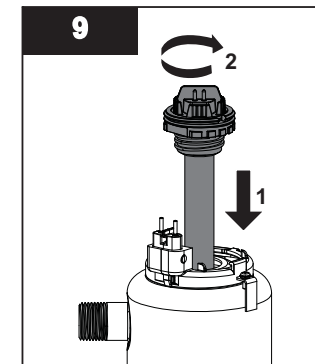
- Brancher le cordon d'alimentation au dispositif de commande.
- NE PAS brancher le cordon d'alimentation à la sortie du DFT à ce moment.
- Un ensemble de lampe peut être nécessaire. Si les fils sont en dehors du verre, lampe/manchon sont séparés. Passer à l'étape 7. Si les fils sont à l'intérieur du verre, passer à l'étape 9.



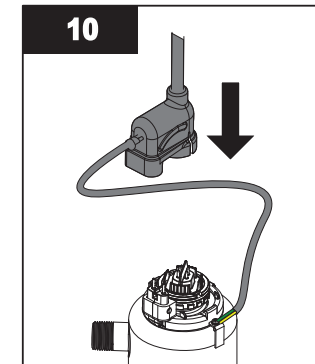
- Installer le bouchon de manchon avec les 2 nouveaux joints toriques sur le manchon.



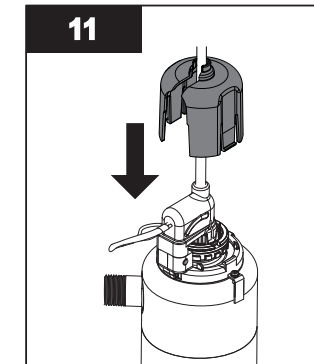
- Installer la lampe dans le manchon et serrer à la main.  
**Remarque :** serrer trop fort pourrait casser le manchon.



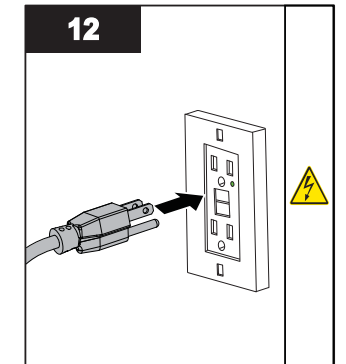
- Insérer l'ensemble lampe/manchon dans la chambre, visser fermement à la main.  
**Remarque :** serrer trop fort pourrait casser le manchon.



- Aligner les connexions en faisant tourner le collier de serrage et installer la prise de la lampe.



- Insérer le bouchon de sécurité.



- Brancher l'alimentation.
- Ouvrir tous les robinets et l'approvisionnement en eau. Rechercher la présence éventuelle de fuites.  
**Remarque :** la sortie doit être protégée par un disjoncteur de fuite de terre (DFT).

### 3.2 Procédure de désinfection

La désinfection par UV est un processus physique qui n'ajoute à l'eau aucun produit chimique potentiellement nocif. Du fait que les UV ne laissent aucun résidu de désinfection, il est impératif de faire désinfecter chimiquement la totalité du circuit de distribution après le système à UV pour garantir que la plomberie soit exempte de toute contamination bactériologique. La procédure de désinfection doit être effectuée immédiatement après l'installation de l'appareil à UV et répétée ensuite à chaque arrêt du système à UV pour entretien, coupure d'alimentation ou arrêt du fonctionnement pour quelque raison que ce soit. La procédure d'assainissement du système de plomberie s'effectue facilement comme suit :

- 1** S'assurer que seulement la prise du dispositif de commande est branchée pendant tout le processus de désinfection.
- 2** Couper l'arrivée d'eau. Fermer chaque robinet.
- 3** Appuyer sur le bouton presseur pour libérer la pression des cartouches.
- 4** Déposer le(s) boîtier(s) de carter à l'aide de la clé appropriée.
- 5** Déposer la(les) cartouche(s) et verser 2 tasses de solution à l'eau de javel dans le(s) boîtier(s) de carter. *Remarque : NE PAS utiliser de peroxyde d'hydrogène.*
- 6** Réinstaller le carter seulement à la tête de filtre.
- 7** Ouvrir l'alimentation en eau. Laisser l'eau remplir la chambre.
- 8** Ouvrir l'eau froide suivie par l'eau chaude (si disponible) jusqu'à ce que l'odeur de l'eau de javel sorte. Fermer tous les robinets et laisser l'eau de javel s'infiltrer dans les canalisations d'eau pendant 30 minutes.
- 9** Appuyer sur le bouton de pression pour relâcher la pression.
- 10** Déposer le(s) boîtier(s) de carter à l'aide de la clé appropriée, tous robinets fermés.
- 11** Réinstaller la(les) cartouche(s) dans le(s) boîtier(s) du carter et connecter à l'unité. Rincer toutes les sorties d'eau jusqu'à ce que la javel ne puisse plus être sentie (au moins 5 minutes).
- 12** Appuyer sur le bouton pression pour purger l'air et compléter la procédure de désinfection.

### Section 4 Fonctionnement

#### 4.1 Panneau de commande

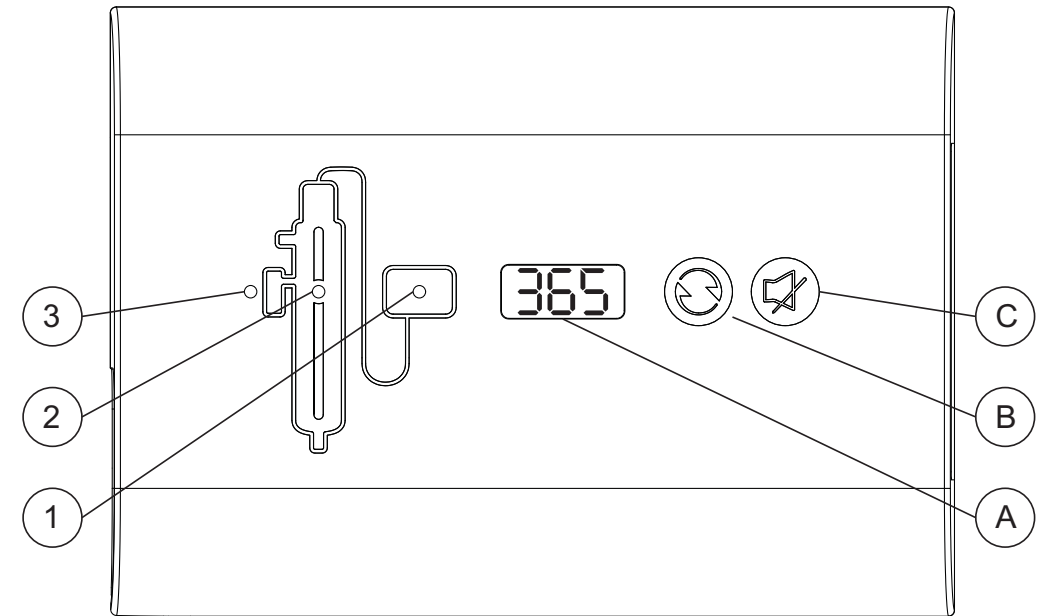


Figure 4 Panneau de commande

Boutons et affichage				
Caractéristique	Description	Fonction		
A	Affichage du compteur de lampe	Compte à partir de 365 jours pour afficher le temps qu'il reste avant le changement annuel de la lampe.		
B	Réinitialisation du compteur de la lampe	Après avoir installé une nouvelle lampe, appuyez et maintenez pendant cinq secondes pour réinitialiser le compteur de la lampe à 365.		
C	Mode discrétion	<ul style="list-style-type: none"> <li>Appuyez pour arrêter le signal sonore.</li> <li>Lorsque l'alarme sonne à cause de l'âge de la lampe, le bouton de mise en discrétion arrête le signal sonore pendant 7 jours : il est possible de le répéter jusqu'à 4 fois maximum. Ensuite, le bouton met le signal sous silence seulement pendant 24 heures.</li> <li>Lorsque l'alarme sonne à cause d'un autre problème, le bouton de mise en discrétion arrête le signal sonore pendant 24 heures.</li> </ul>		
Indicateurs lumineux				
DEL	Vert	Jaune	Rouge clignotant	Rouge fixe
1	Le dispositif de commande fonctionne normalement	La température ambiante autour du système est trop élevée.	Défaillance du dispositif de commande ; remplacer le dispositif de commande.	Dispositif de commande inactif à cause d'une défaillance de la lampe.
2	La lampe fonctionne normalement	Avertissement ; la lampe exigera un remplacement sous peu.	<ul style="list-style-type: none"> <li>Lampe débranchée, débrancher le système, rebrancher la lampe et brancher à nouveau le système.</li> <li>Défaillance de la lampe; remplacer la lampe.</li> </ul>	Lampe inactive à cause d'une défaillance du dispositif de commande.
Modèles + seulement				
3	La dose d'UV est adéquate et le capteur fonctionne normalement.	La dose d'UV est proche du minimum requis.	La dose UV est en-dessous du minimum requis, consultez la <a href="#">Section 6.1</a> . Capteur débranché, débrancher le système, rebrancher le capteur et brancher à nouveau le système.	Capteur inactif en raison de la défaillance du dispositif de commande ou de la lampe.