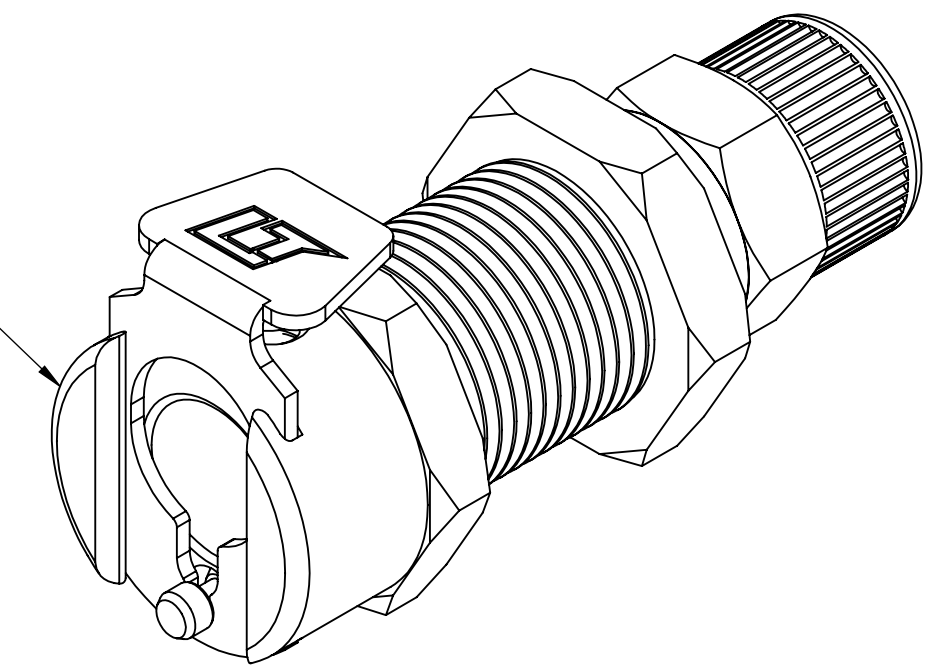
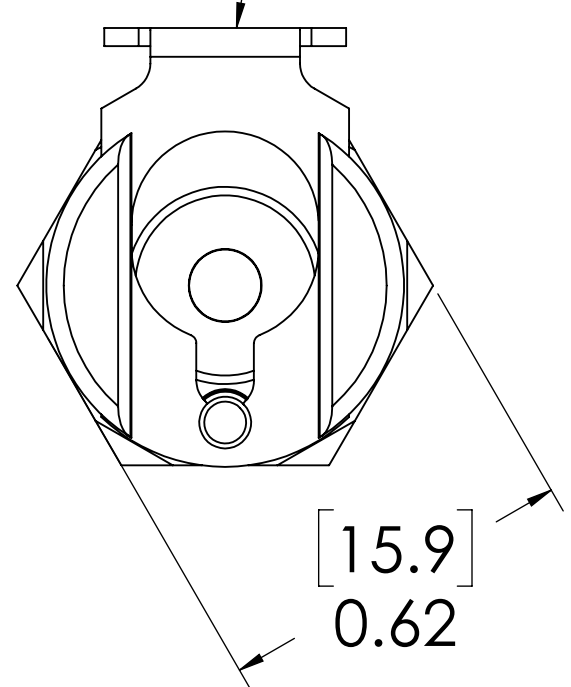


REVISIONS						
SHEET	ZONE	REV.	ECO	DESCRIPTION	DATE	APPROVED
1	ALL	A	50242	PIN, PIN SPRING & FORMAT UPDATE	11/1/2017	HRC

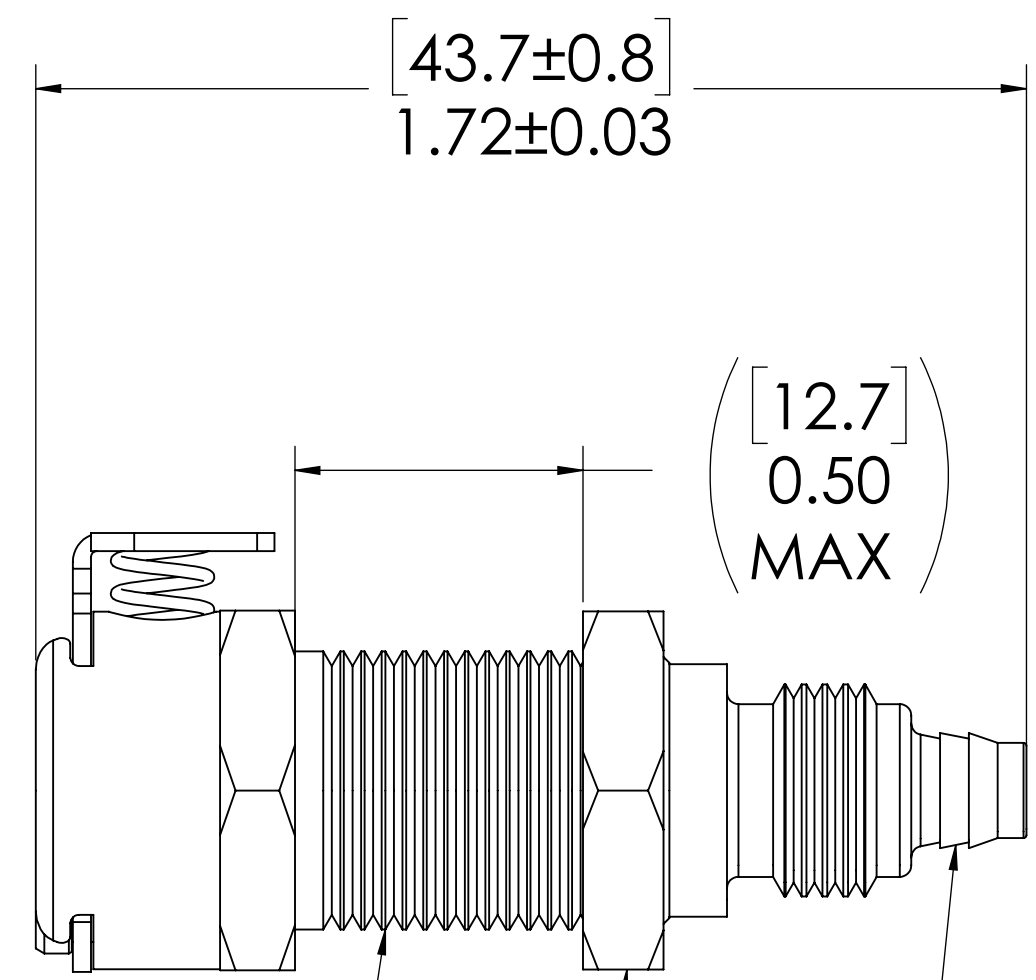
**SOCKET,
(BRASS
CHROME PLATED)**



**LATCH HARDWARE,
(STAINLESS STEEL)**



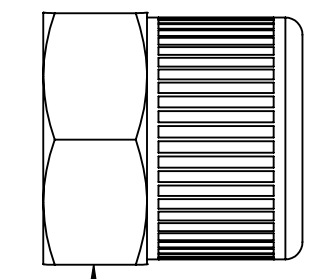
[15.9]
0.62



1/2"-24 THREAD

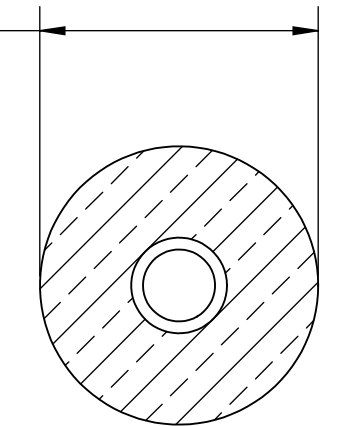
**PANEL NUT,
(BRASS, NICKEL PLATED)
(PACKAGED SEPARATELY)**

[12.3^{+0.3}
0]
Ø 0.48^{+0.01}
-0.00



**PTF NUT,
(BRASS, NICKEL PLATED)
(PACKAGED SEPARATELY)**


1/4" TUBE OD



PANEL OPENING

FOR REFERENCE ONLY

- NOTES:**
- MATERIAL: BRASS
 - COLOR: CHROME

<small>UNLESS OTHERWISE SPECIFIED: DIMENSIONS ARE IN INCHES TOLERANCES: FRACTIONAL ± 1/32 ANGULAR, MACH ± 0.5 BEND ± 2 ONE PLACE DECIMAL ± 0.1 TWO PLACE DECIMAL ± 0.01 THREE PLACE DECIMAL ± 0.005 TWO PLACE DUAL (mm) [± 0.12]</small>	DRAWN	RDA	8/16/2017	 PART NO: 20CB-S8-04 DESCRIPTION: LinkTech 20CB Series Panel Mt Female, Non-valved, 250 PTF, Chrome Brass SIZE DWG. NO. REV C 20CB200156 A SCALE: NTS WEIGHT: SHEET 1 OF 1
	CHECKED	HRC	8/16/2017	
	ENG APPR.	HRC	11-01-17	
	MFG APPR.	BDB	11-01-17	
<small>PROPRIETARY AND CONFIDENTIAL THE INFORMATION CONTAINED IN THIS DRAWING IS THE SOLE PROPERTY OF LINKTECH LLC. ANY REPRODUCTION OR DISCLOSURE IN PART OR AS A WHOLE WITHOUT THE WRITTEN PERMISSION OF LINKTECH LLC IS STRICTLY PROHIBITED.</small>	PURCHASING	RK	11-01-17	
COMMENTS:				