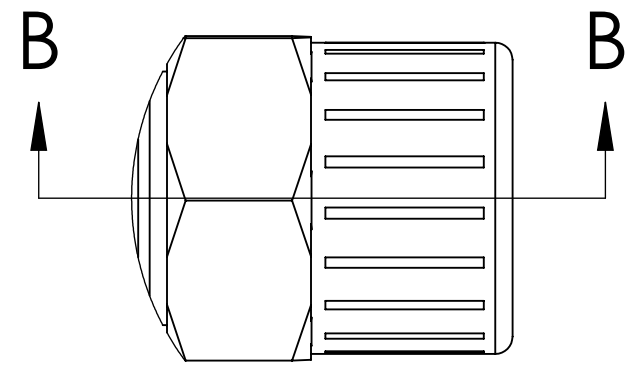
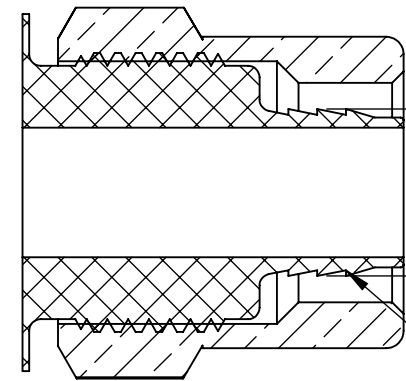


REVISIONS						
SHEET	ZONE	REV.	ECO	DESCRIPTION	DATE	APPROVED
1	ALL	A	50242	UPDATE DWG TO CURRENT FORMAT & STANDARDS	10/12/2018	HRC



DETAIL A

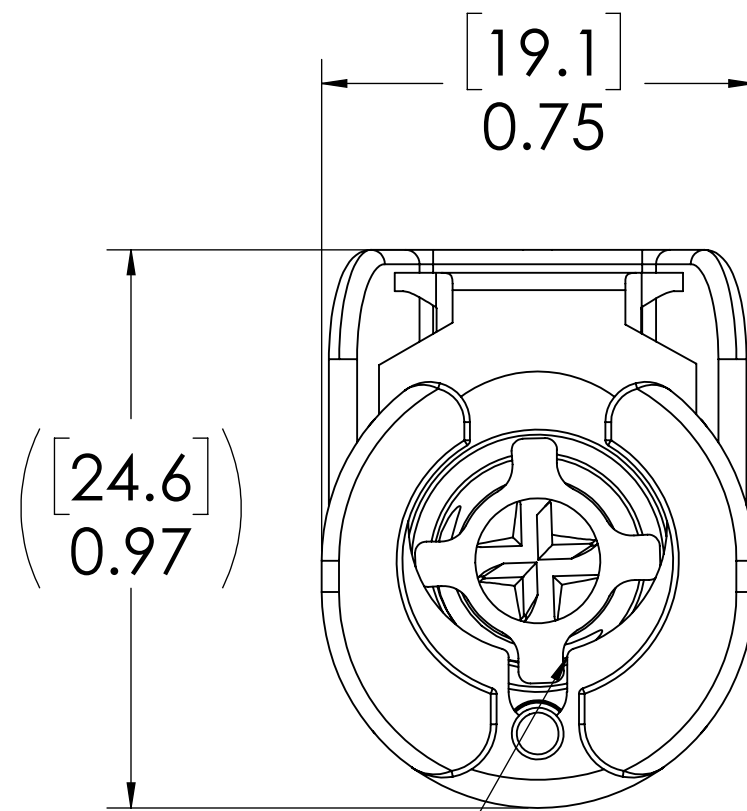
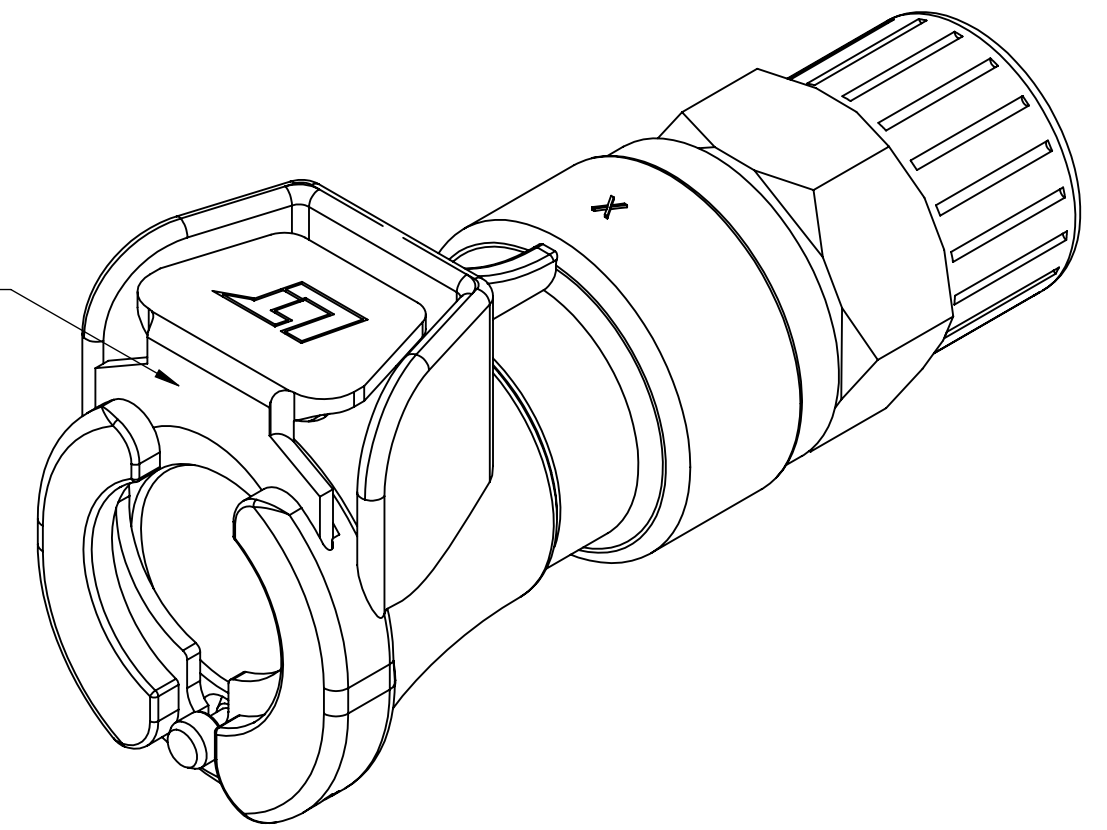


SECTION B-B

3/8" TUBE OD

7.4
0.29

**SOCKET
(ACETAL)**



**VALVE
(ACETAL)**

**LATCH HARDWARE
(STAINLESS STEEL)**

**VALVE O-RING
INTERNAL
(BUNA-N)**

**VALVE SPRING
INTERNAL
(STAINLESS STEEL)**


49.5
1.95

**PTF NUT
(BRASS, NICKEL PLATED)
(PACKAGED SEPARATELY)**

NOTES:

- MATERIAL: ACETAL
- COLOR: NATURAL WHITE
- O-RING MATERIAL: BUNA-N
- O-RINGS LUBRICATED WITH FOOD GRADE SILICONE OIL, 350 CST.

FOR REFERENCE ONLY

<small>UNLESS OTHERWISE SPECIFIED: DIMENSIONS ARE IN INCHES TOLERANCES: FRACTIONAL ± 1/32 ANGULAR, MACH ± 0.5 BEND ± 2 ONE PLACE DECIMAL ± 0.1 TWO PLACE DECIMAL ± 0.01 THREE PLACE DECIMAL ± 0.005 TWO PLACE DUAL (mm) [±0.12]</small>	DRAWN	LDM	12/4/17	 PART NO: 40ACV-SB9-06 DESCRIPTION: LinkTech 40AC Series Straight Female, Valved, 3/8" PTF, Natural Acetal
	CHECKED	HRC	12/4/17	
	ENG APPR.	HRC	10/12/18	
	MFG APPR.	BDB	10/12/18	
<small>PROPRIETARY AND CONFIDENTIAL THE INFORMATION CONTAINED IN THIS DRAWING IS THE SOLE PROPERTY OF LINKTECH LLC. ANY REPRODUCTION OR DISCLOSURE IN PART OR AS A WHOLE WITHOUT THE WRITTEN PERMISSION OF LINKTECH LLC IS STRICTLY PROHIBITED.</small>	PRODUCTION	LS	10/12/18	<small>COMMENTS:</small>
<small>SIZE DWG. NO. REV</small> C 40AC400248 A	<small>SCALE: NTS WEIGHT:</small>	<small>SHEET 1 OF 1</small>		