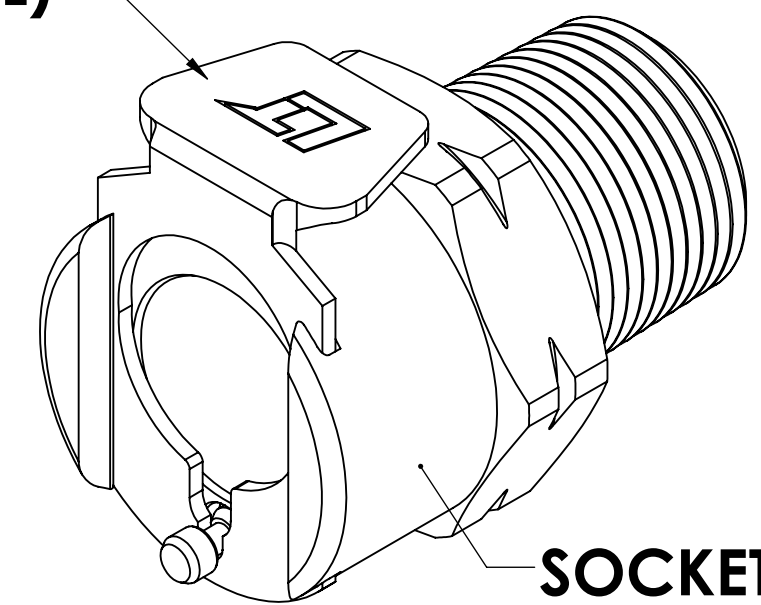
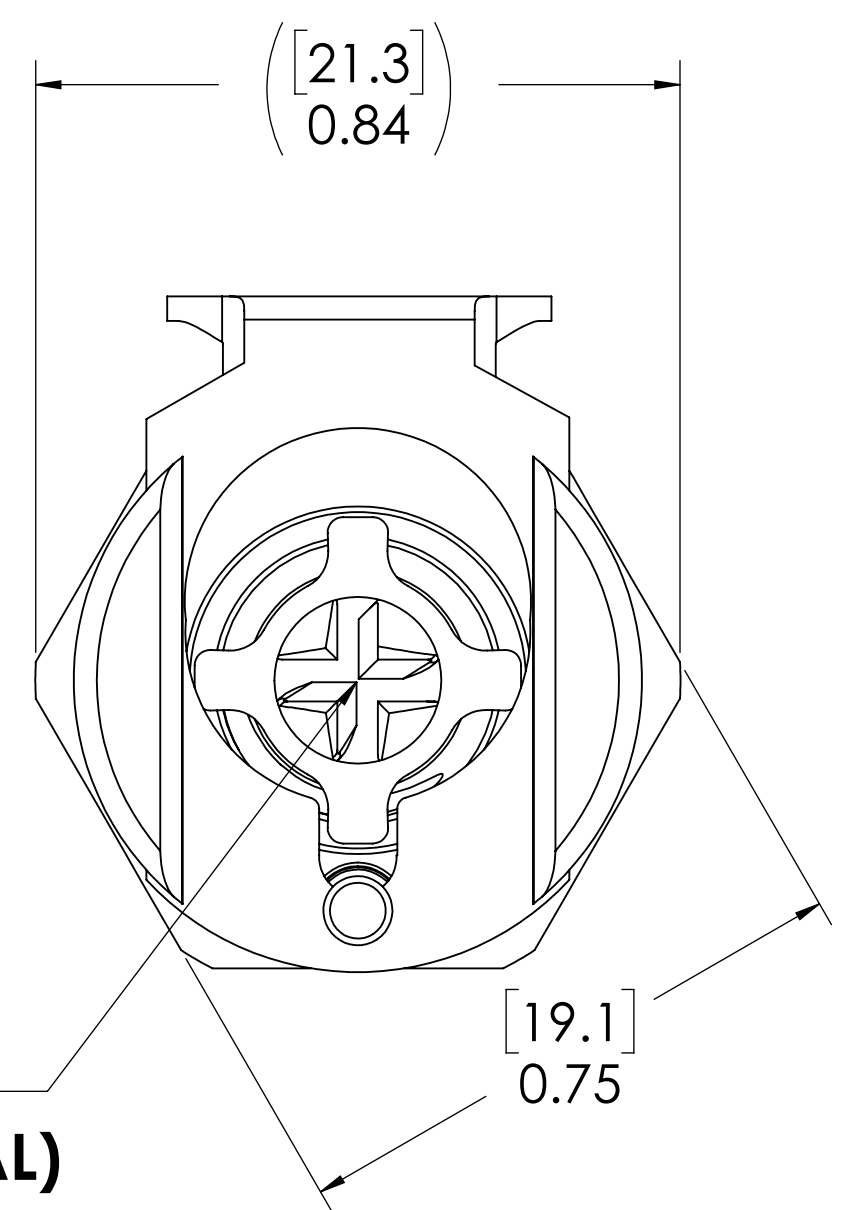


REVISIONS						
SHEET	ZONE	REV.	ECO	DESCRIPTION	DATE	APPROVED
1	ALL	A	50242	PIN, PIN SPRING & DWG FORMAT UPDATE	10/18/2018	HRC

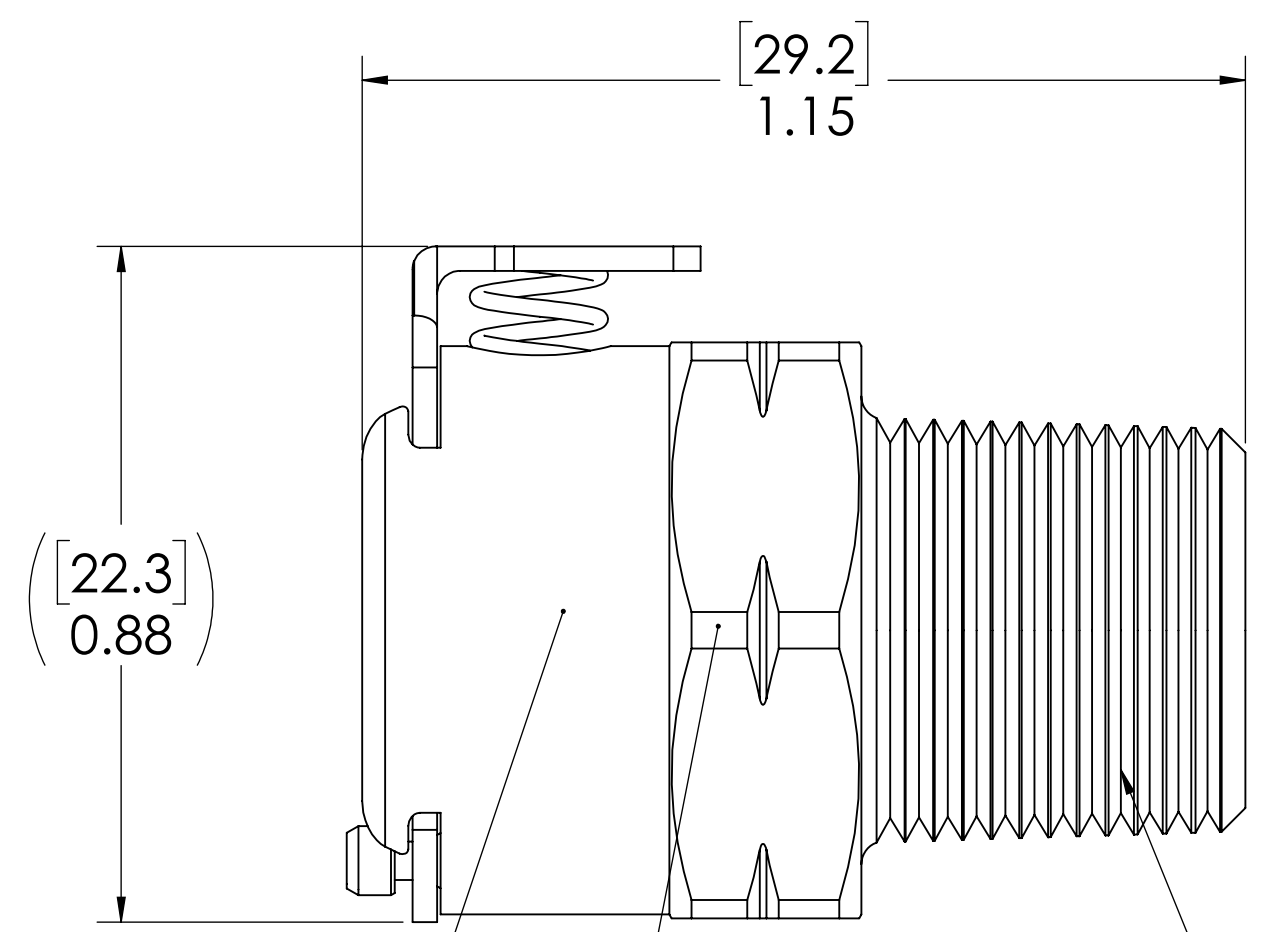
**LATCH HARDWARE  
(STAINLESS STEEL)**



**SOCKET  
(BRASS, NICKEL &  
CHROME PLATED)**



**VALVE  
(ACETAL)**



**VALVE SPRING  
INTERNAL  
(STAINLESS STEEL)**

**VALVE O-RING  
INTERNAL  
(BUNA-N)**

**1/4" BSPT (PIPE THREAD)**

- NOTES:**
- MATERIAL: BRASS
  - FINISH: CHROME
  - O-RING MATERIAL: BUNA-N
  - O-RINGS LUBRICATED WITH FOOD GRADE SILICONE OIL, 350 CST.

**FOR REFERENCE ONLY**

<small>UNLESS OTHERWISE SPECIFIED: DIMENSIONS ARE IN INCHES TOLERANCES: FRACTIONAL ± 1/32 ANGULAR: MACH ± 0.5 BEND ± 2 ONE PLACE DECIMAL ± 0.1 TWO PLACE DECIMAL ± 0.01 THREE PLACE DECIMAL ± 0.005 TWO PLACE DUAL (mm) [± 0.12]</small>	DRAWN	HRC	3/29/12	
	CHECKED	HRC	03-29-12	
	ENG APPR.	HRC	10/18/18	
	MFG APPR.	BDB	10/18/18	
PRODUCTION	LS	10/18/18		<b>PART NO: 40CBV-SB1-04BSPT</b> <b>DESCRIPTION: LinkTech 40CB Series Male Thread Female, Valved, 1/4" BSPT, Chrome Brass</b>
<small>PROPRIETARY AND CONFIDENTIAL THE INFORMATION CONTAINED IN THIS DRAWING IS THE SOLE PROPERTY OF LINKTECH LLC. ANY REPRODUCTION OR DISCLOSURE IN PART OR AS A WHOLE WITHOUT THE WRITTEN PERMISSION OF LINKTECH LLC IS STRICTLY PROHIBITED.</small>	COMMENTS:			<b>SIZE DWG. NO. REV</b> <b>C 40CB400113 A</b>
	SCALE: NTS	WEIGHT:		SHEET 1 OF 1