

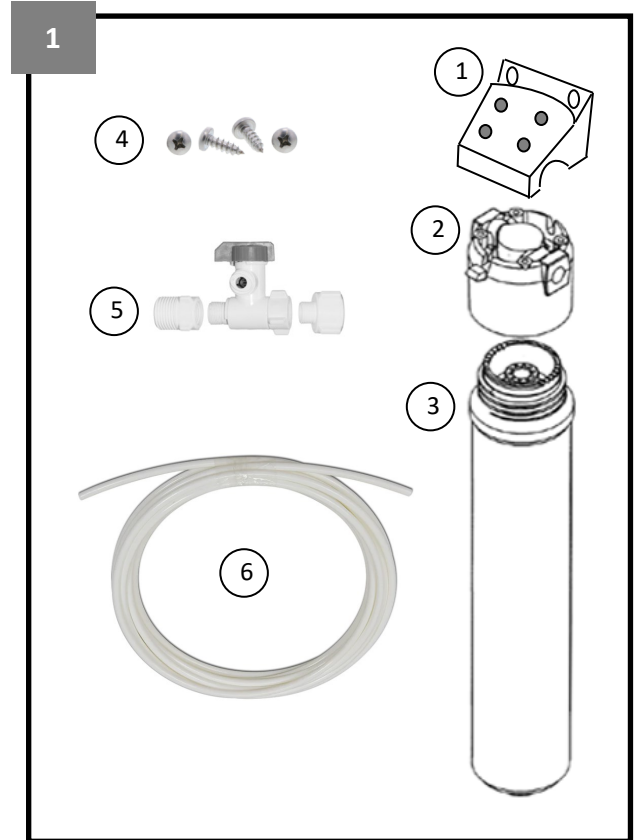
The Neo-Pure Q Series filter kit is a compact and easy to maintain system providing reductions of chlorine, tastes and odors, cysts, and lead. The small compact profile makes it easy to install under most any sink cabinet including the kitchen and bathrooms.

Tools Needed for Installation:

- #2 Phillips Screw Driver • Wrench • Pencil
- Utility Knife • Measuring Tape

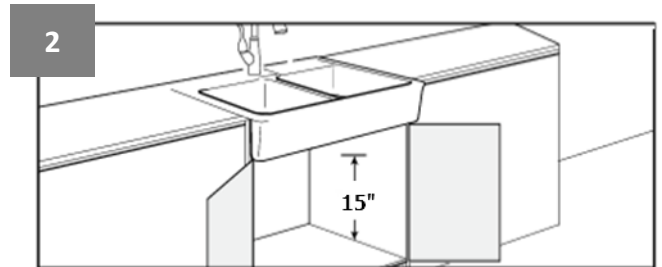
1. Inspect Kit Parts

Key	Description
1	Mounting Bracket
2	Valved head 1/4" QC
3	Neo-Pure Q Series CTO/Cyst/Lead reduction Cartridge
4	#8 x 1/2 panhead screws
5	Angle Stop Adapter 3/8 comp x 1/4 tube
6	5' LLDPE White 1/4" OD Tubing



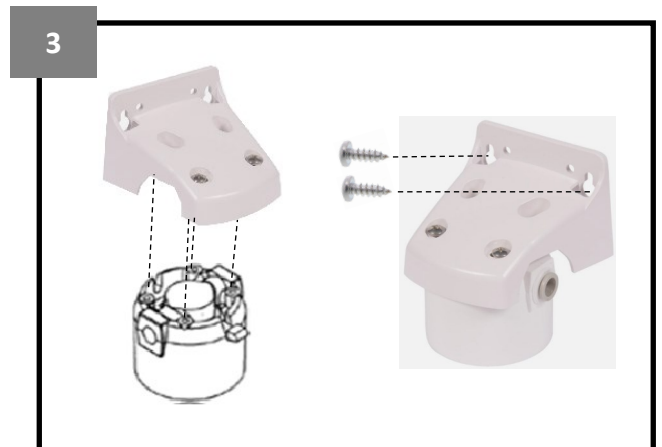
2. Verify Under-sink Location

Measure 15" from the base of the cabinet, and mark the mounting location for the top of the filter head. Make sure there is adequate space to avoid crimping the water line tubing. Also, make sure your chosen location offers easy access for future cartridge changes.



3. Mount Filter Head Under Sink

- Identify Filter Head and the inlet and outlet ports. The head can be mounted on the bracket in either direction so make sure the inlet and outlet ports are located to coincide with the flow path from water supply to faucet.
- Mount the head to the mounting bracket. Then mount the bracket to cabinet wall. (screws not included)



4. Feed Supply Valve Installation

Note: This adaptor is designed to fit 3/8" compression supply threads and has adapters for 1/2" NPS connections. It connects to 1/4" OD tubing to feed the QL3 filter head inlet port.

- A. Locate the cold water supply valve (shut-off) under the sink. Turn off the cold water supply.
- B. Turn on the kitchen faucet. This will release pressure and allow water to completely drain from the line.
- C. Disconnect the cold water feed supply line from the top of the cold water supply valve. (Angle stop valve)
- D. Holding the Angle Stop Valve Adapter in an upright position, thread the female side of the faucet adapter on to the cold water supply valve.
- E. Attach the cold water supply line for the faucet to the male-top side of the adapter.
- F. Occasionally, The adapter will have to be located at the base of the base of the cold water side of the sink faucet and the reason for the 1/2" NPS adapters.

5. Attach Feed Water Line to Filter Head

- A. Measure length of tubing needed to connect Angle Stop Adaptor to Inlet Fitting on Filter Head. Allow adequate tubing to avoid sharp turns.
- B. Cut tubing at a 90° angle using a sharp knife.
- C. Insert ends of tubing into quick-connect fittings. Make sure 'IN' side connects to the tube from the angle stop adapter. Push tubes into fittings and gently pull to confirm a tight fit.

6. Attach Filtered Water to open Vent Faucet*

*Faucet and hot tank are not included with this kit

- A. Filter outlet hooks up to the cold water inlet of the single or dual temperature open vent faucet.
- B. The faucet will have connections to tank feed on back corner and hot water outlet in the center. See the faucet for specific instructions

7. Install and Flush Filter Cartridge*

Once tube connections are made, open feed supply valve and check for leaks. Open faucet handle and flush the cartridge for 3-5 minutes minimum. If using a single temp faucet, do not turn the hot tank on until the filter cartridge is flushed. If using a dual temp, flush the filter through the cold side. Follow cartridge specific flushing instructions before using.

