

**T&S BRASS AND BRONZE WORKS, INC.**  
 2 Saddleback Cove / P.O. Box 1088  
 Travelers Rest, SC 29690

Model No.  
**B-0289**

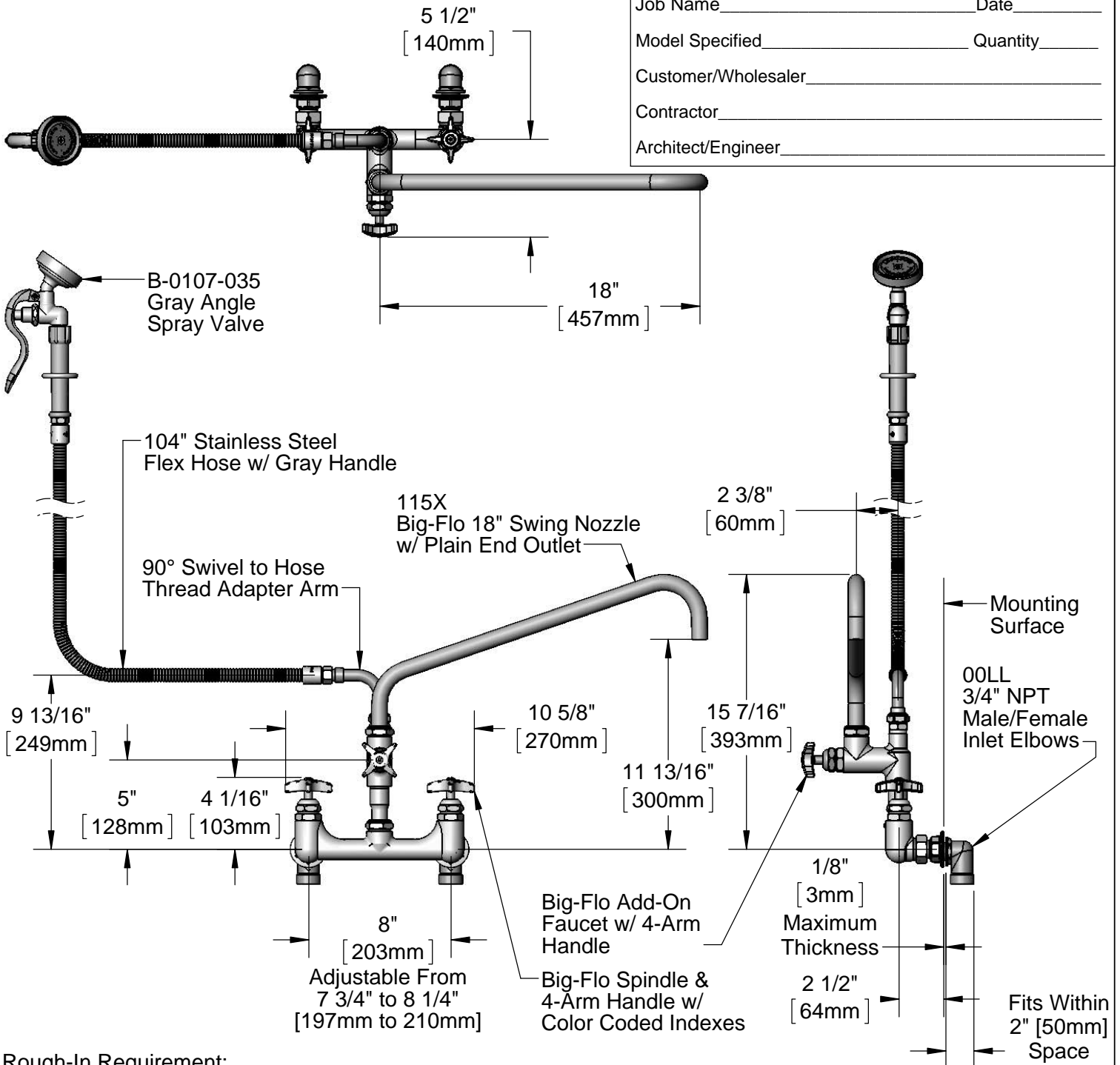
Item No.

Travelers Rest, SC: 800-476-4103 • Simi Valley, CA: 800-423-0150 • Fax: 864-834-3518 • www.tsbrass.com

**EPAct2005 Compliant**

This Space for Architect/Engineer Approval

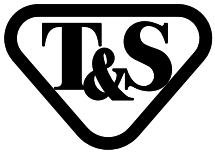
Job Name \_\_\_\_\_ Date \_\_\_\_\_  
 Model Specified \_\_\_\_\_ Quantity \_\_\_\_\_  
 Customer/Wholesaler \_\_\_\_\_  
 Contractor \_\_\_\_\_  
 Architect/Engineer \_\_\_\_\_



Rough-In Requirement:  
 (2)  $\phi$  1 1/4" [32mm] Mounting Holes

Product Specifications:  
 8" Wall Mount Big-Flo Mixing Faucet, Add-On Faucet, 18" Swing Nozzle w/ Plain End Outlet, Swivel Adapter Arm, 104" Stainless Steel Flex Hose, B-0107-035 Angle Spray Valve & 3/4" NPT Female Inlets

Drawn <b>DHL</b>	Checked <b>DMH</b>	Approved <b>JHB</b>
Scale: <b>1:8</b>		Date: <b>11/15/12</b>

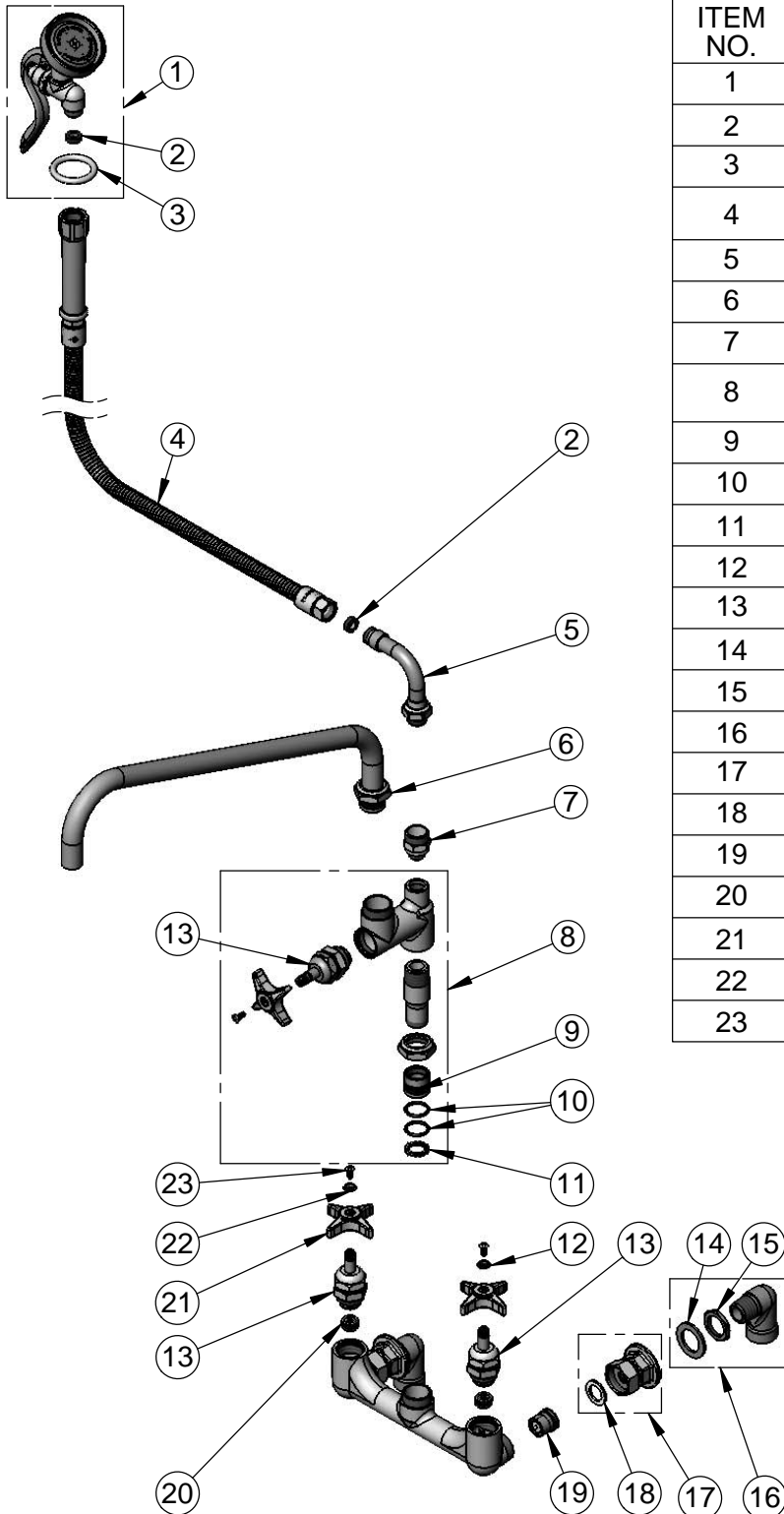


**T&S BRASS AND BRONZE WORKS, INC.**  
 2 Saddleback Cove / P.O. Box 1088  
 Travelers Rest, SC 29690

Model No.  
**B-0289**

Item No.

Travelers Rest, SC: 800-476-4103 • Simi Valley, CA: 800-423-0150 • Fax: 864-834-3518 • www.tsbrass.com



ITEM NO.	SALES NO.	DESCRIPTION
1	B-0107-035	Gray Angle Spray Valve, 1.42 GPM
2	010476-45	#27 Washer
3	000907-45	Spray Valve Hold Down Ring
4	B-0104-H	104" Stainless Steel Flex Hose w/ Handle
5	034A	Swivel Adapter Arm
6	115X	18" Big-Flo Swing Nozzle
7	B-0412	Rigid to Swivel Adapter
8	B-0286-LNEZ	Big-Flo EasyInstall Add-On Faucet, Less Nozzle
9	000847-20	Big-Flo Swivel Piece
10	001068-45	O-ring, Size -118
11	016807-45	Serrated Lock Washer
12	001660-45	Blue Index-CW
13	006482-40	Spindle Asm, B-0290 (RH)
14	001005-45	Washer
15	000971-45	Lock Nut
16	00LL	3/4" NPT (Male/Female) Inlet Elbow
17	00AA	1/2" NPT Female Eccentric Flange
18	001019-45	Coupling Nut Washer
19	016902-20	Big-Flo Check Valve
20	000764-20	Seat, Big-Flo
21	002521-45	4-Arm Handle
22	001661-45	Red Index-HW
23	000922-45	Lever Handle Screw

Product Specifications:  
 8" Wall Mount Big-Flo Mixing Faucet, Add-On Faucet, 18" Swing Nozzle w/ Plain End Outlet, Swivel Adapter Arm, 104" Stainless Steel Flex Hose, B-0107-035 Angle Spray Valve & 3/4" NPT Female Inlets

Drawn <b>DHL</b>	Checked <b>DMH</b>	Approved <b>JHB</b>
Scale: <b>NTS</b>		Date: <b>11/15/12</b>