



EV9328-01

Coldrink 1-MC² System

Delivers premium quality water for fountain applications

Coldrink 1-MC² System: EV9328-01
 MC² Replacement Cartridge: EV9612-56
 EC210 Prefilter Cartridge: EV9534-26



BENEFITS

- Reduces chlorine taste and odor and other offensive contaminants
- New and improved Micro-Pure II media inhibits the growth of bacteria
- Improves the taste of fountain beverages and helps retain the drink's carbonation
- Precoat submicron technology reduces dirt and particles as small as 1/2 micron in size and reduces health contaminants such as cysts
- Protects drink system seals, pump, tubing and small orifices from clogging, corrosion and abrasive wear
- 20" prefilter reduces dirt and particles
- Plate mounted system allows for easy installation and start-up
- Sanitary cartridge replacement is simple, quick and clean. Internal filter parts are never exposed to handling or contamination
- NSF Certified under NSF/ANSI Standards 42 and 53

INSTALLATION TIPS

- Choose a mounting location suitable to support the full weight of the system when operating
- Never use saddle valve for connection
- Use 3/4" water line
- Install vertically with cartridges hanging down
- Allow 2-1/2" clearance below the cartridge for easy cartridge replacement
- Flush cartridges by running water through system for five minutes at full flow

OPERATION TIPS

- Change cartridges on a regular 6 month preventative maintenance program
- Change cartridges when capacity is reached or when pressure falls below 10 psi
- Service flow rate must not exceed 1.67 gpm
- Always flush the filter cartridge at time of installation and cartridge change
- Inspect EC210 cartridge periodically to determine dirt load
- Replace EC210 cartridge when dirt has penetrated through to the inner core of the cartridge

APPLICATION/SIZING

- For fountain beverage applications
- For most single carbonator dispensers
- Or, for dispensers using up to 25 tanks of syrup or bag-in-box per month
- Rated Capacity: 9,000 gallons

Coldrink 1-MC² System

SPECIFICATIONS

Overall Dimensions:
25.33"H x 14.15"W x 6.74"D

Inlet connection:
3/4"

Outlet connection:
3/4"

Service Flow Rate:
Maximum 1.67 gpm (6.32 Lpm)

Rated Capacity:
9,000 gallons

Pressure Requirements:
10 - 125 psi (0.7 – 8.6 bar), non-shock

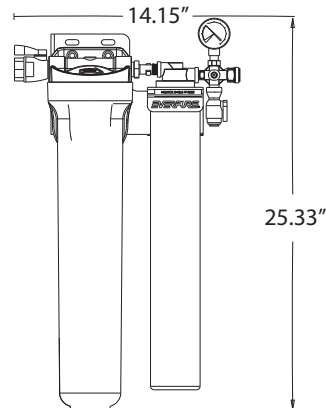
Temperature:
35 - 100°F (2-38°C)

No electrical connection required

Shipping Weight:
10 lbs.

Operating Weight:
19 lbs.

The contaminants or other substances removed or reduced by this drinking water system are not necessarily in your water. Do not use with water that is microbiologically unsafe or of unknown quality without adequate disinfection before or after the system. Systems certified for cyst reduction may be used with disinfected water that may contain filterable cysts.



WARRANTY

Everpure water treatment systems (excluding replaceable elements) are covered by a limited warranty against defects in material and workmanship for a period of five years after date of purchase. Everpure replaceable elements (filter cartridges and water treatment cartridges) are covered by a limited warranty against defects in material and workmanship for a period of one year after date of purchase. See printed warranty for details. Everpure will provide a copy of the warranty upon request.



System Tested and Certified by NSF International against NSF/ANSI Standard 42 and 53 for the reduction of:

Standard No. 42: Aesthetic Effects
Chemical Unit
Taste and Odor Reduction
Chlorine Reduction
Mechanical Filtration Unit
Nominal Particulate Reduction,
Class 1: 99.2% reduction of particles
one-half micron and larger in size

Standard No. 53: Health Effects
Mechanical Filtration Unit
Turbidity Reduction
Cyst Reduction
Asbestos Reduction

EVERPURE®

Worldwide Headquarter :
EVERPURE, LLC
1040 Muirfield Drive
Hanover Park, Illinois 60133
Toll Free (800) 323-7873
Tel (630) 307-3000
Fax (630) 307-3030
<http://www.everpure.com>

In Europe:
Everpure Europe bvba
Industriepark Wolfstee
Toekomstlaan 30
B-2200 Herentals
BELGIUM
TEL: +32.(0)14.283.500
FAX: +32.(0)14.283.505

In Japan:
Everpure Japan Inc.
Hashimoto MN Bldg. 7F
3-25-1 Hashimoto Sagami-hara - Shi
Kanagawa 229-1-1103
JAPAN
TEL: 81.(0)42.775.3011
FAX: 81.(0)42.775.3015