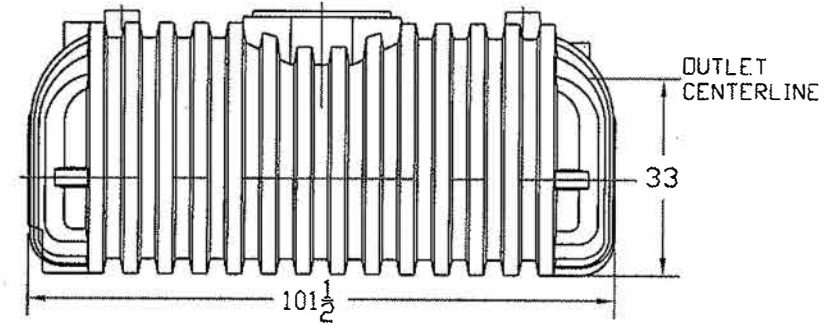
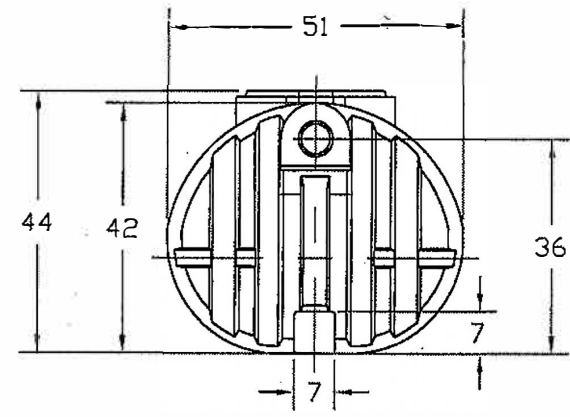
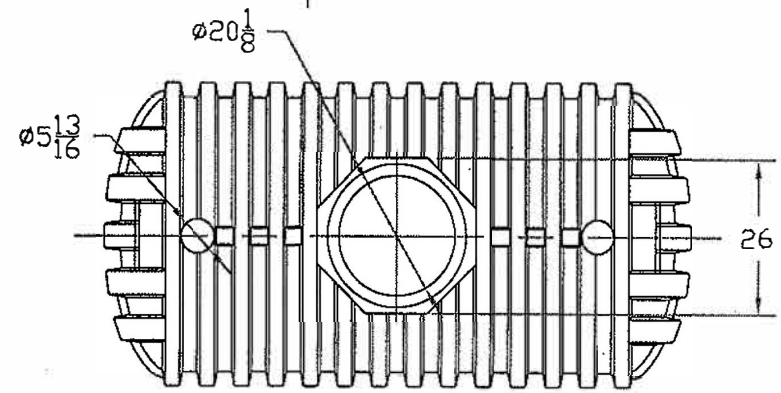
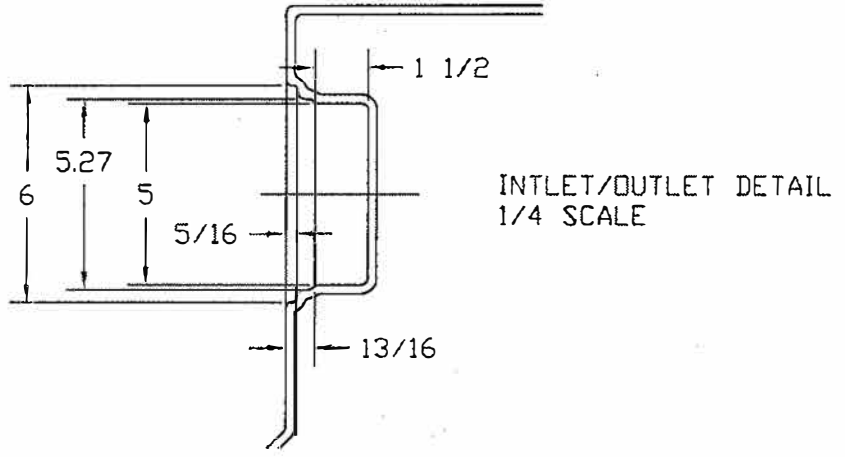


REVISIONS				
ZONE	REV	DESCRIPTION	DATE	APPROVED



JTP 21JAN03		<b>NORWESCO</b> ST. BONIFACIUS, MN 600 GALLON CISTERN		
		SIZE B	FSCM NO.	DWG NO.
				REV