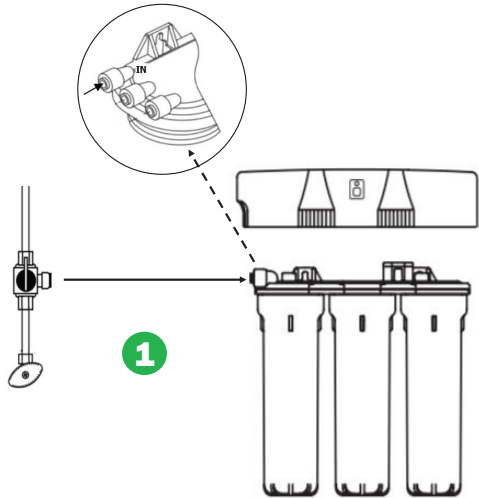


Neo-Pure[®] RO-4300RX Pharmacy Trusted Reverse Osmosis Drinking Water System

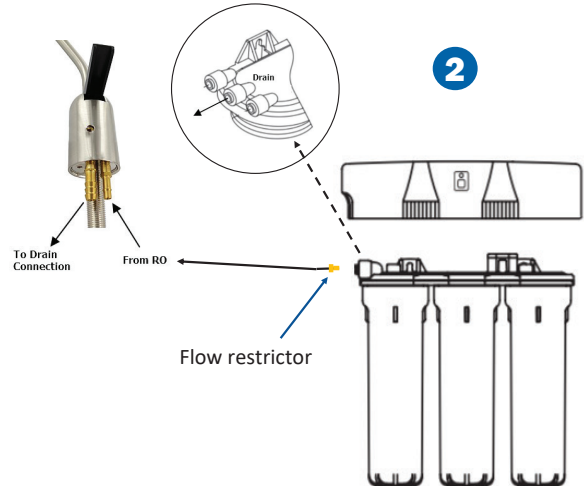


1. Feed Supply Connection

The RO system is fed by connecting the angle stop adapter to the cold supply line under the sink. This connects directly to the manifold through the left port marked IN.

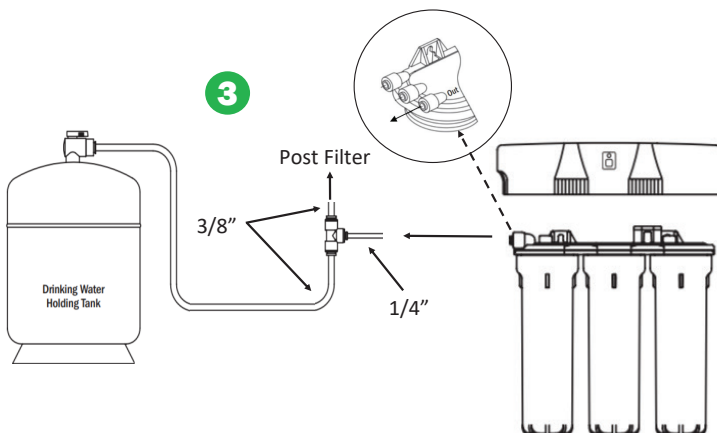
2. Drain Outlet To Air-Gap Connection

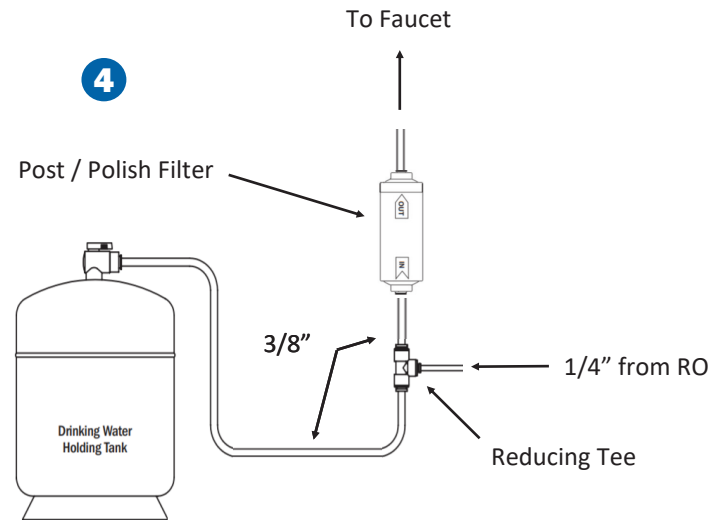
Water carrying the rejected contaminants exits the manifold through the center port marked Drain. The black tubing with the flow restrictor connects to this port. The other end connects to the smaller barb connection on the airgap faucet.



3. Ro Water Out

RO water exits the manifold through the right hand port marked 'out'. This 1/4" line connects to the reducing tee included with the installation kit. The run part of the tee (3/8") connects to the tank and the other side to the post filter.



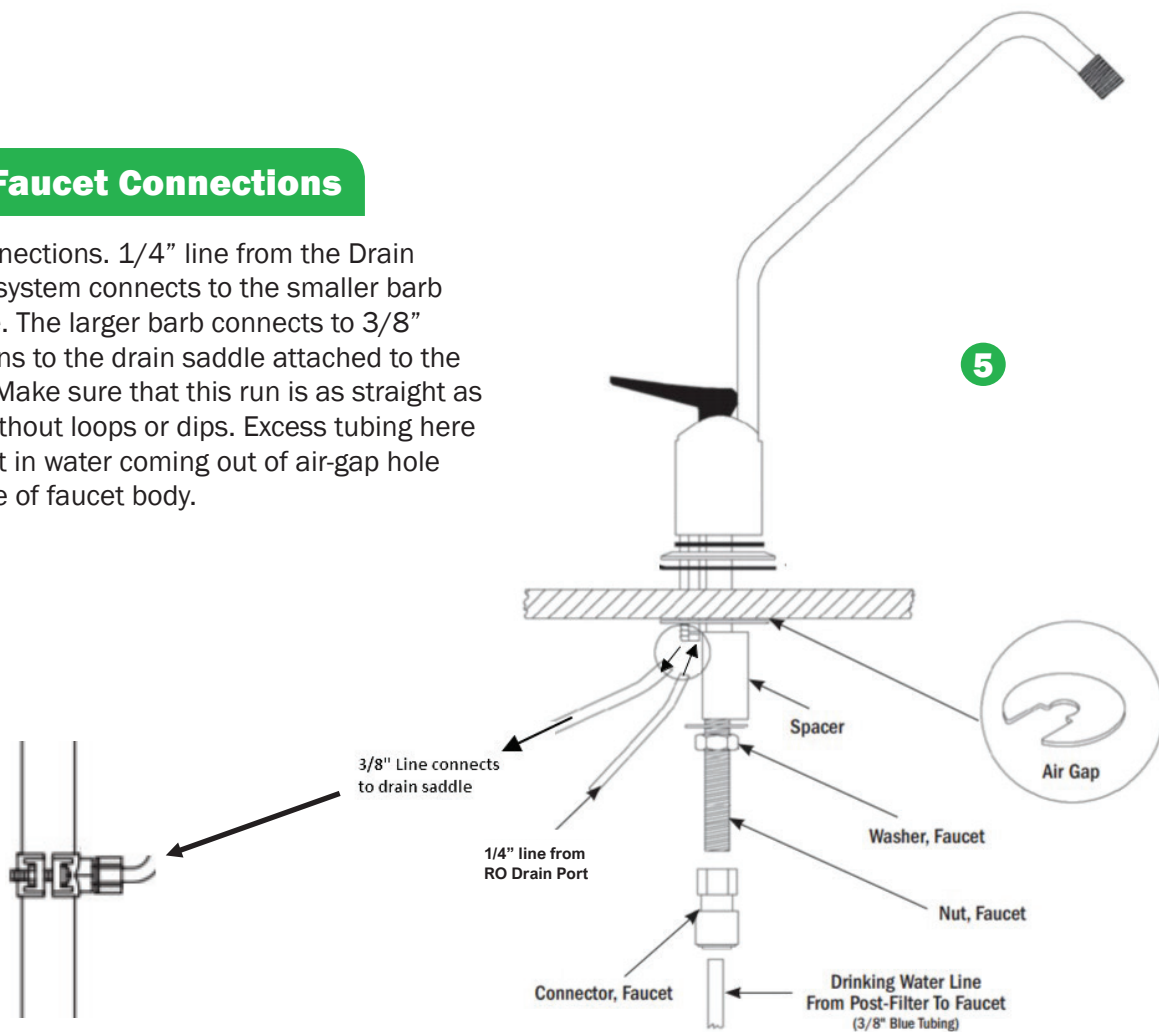


4. Tank And Post / Polish Filter Connection

RO water exits the system from the Out port and connects to the reducing tee. One leg of the tee connects to the storage tank, the other leg connects to the post / polish filter on the way to the faucet.

5. RO Faucet Connections

Faucet connections. 1/4" line from the Drain port of RO system connects to the smaller barb at the base. The larger barb connects to 3/8" line that runs to the drain saddle attached to the drain line. Make sure that this run is as straight as possible without loops or dips. Excess tubing here could result in water coming out of air-gap hole on the base of faucet body.



Distributed By:



2299 Ridge Rd., Greenville, SC
 P: 888.859.1188 · F: 864.284.1819
 NeoLogicSolutions.com · Info@NeoLogicSolutions.com

Questions?

Ask our Service Representatives at:
 864.284.1801 Mon.-Fri. 8:30a-7p,
 Sat. 8:30a-4:30p EST.