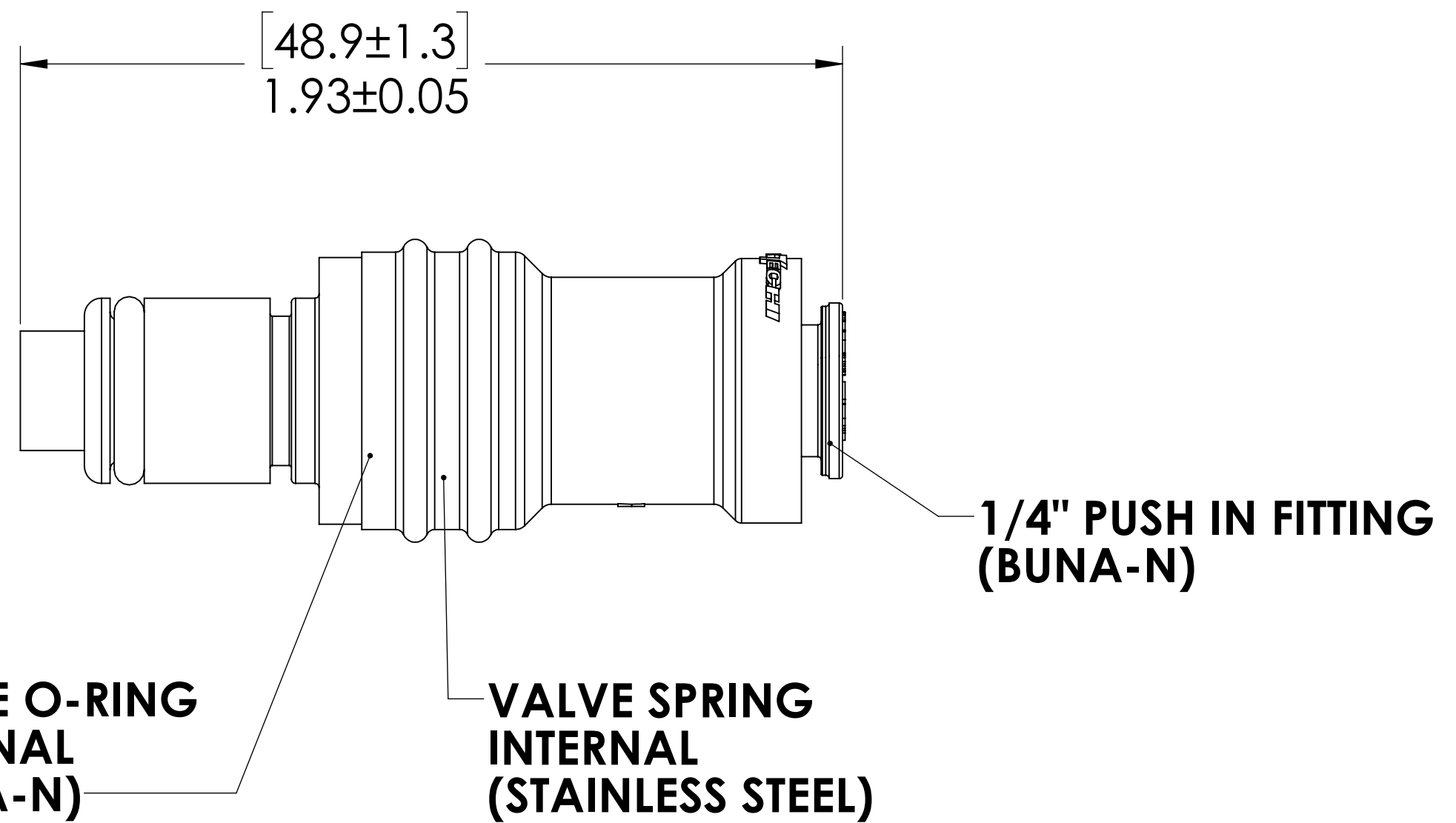
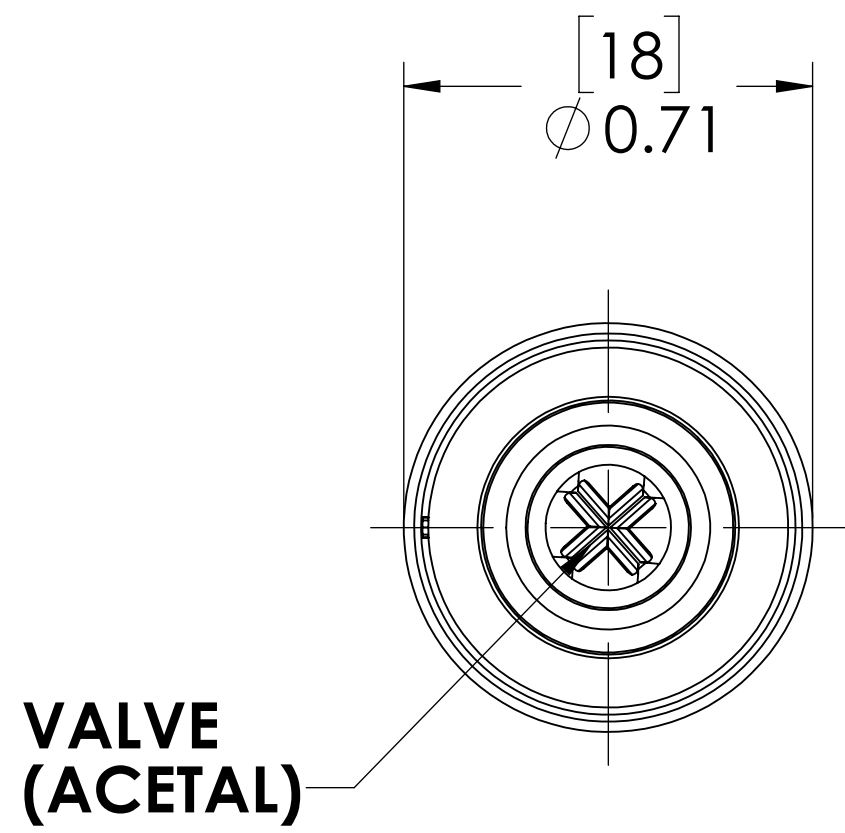
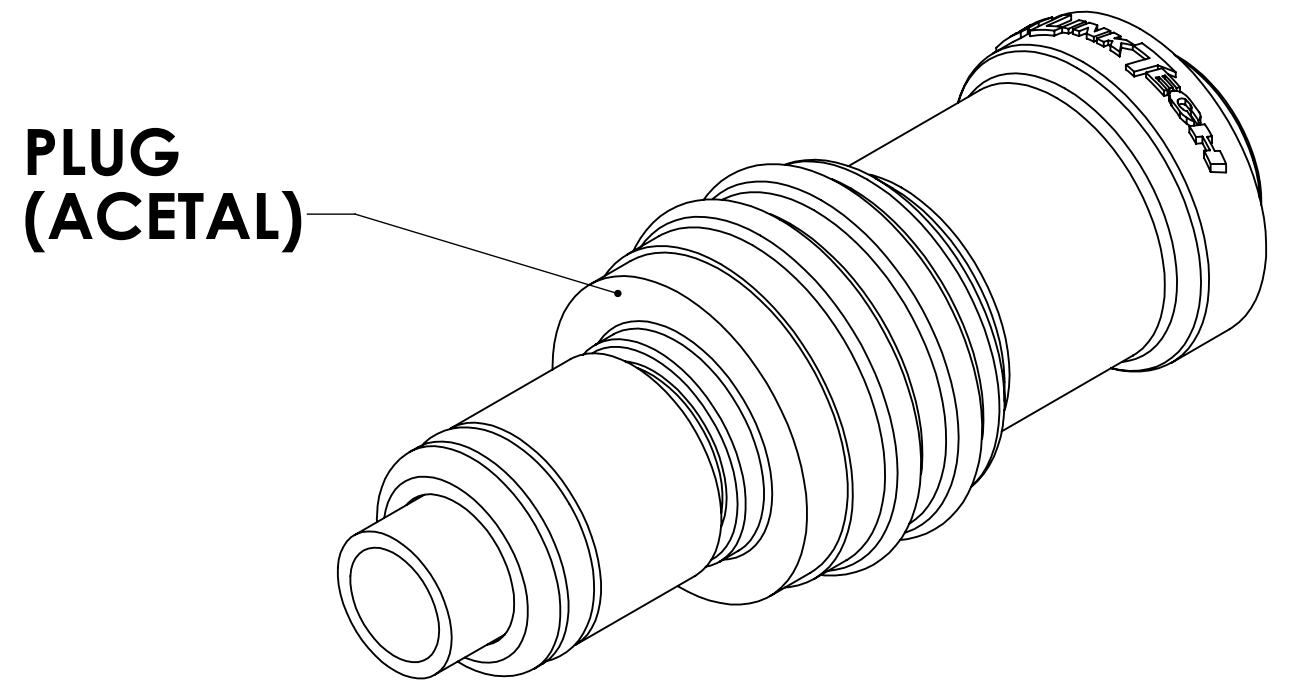


REVISIONS						
SHEET	ZONE	REV.	ECO	DESCRIPTION	DATE	APPROVED
ALL	ALL	D	50309	FORMAT UPDATE	12/6/2019	HRC



FOR REFERENCE ONLY

- NOTES:**
- MATERIAL: ACETAL
 - COLOR: NATURAL WHITE
 - O-RING LUBRICATED WITH DOW CORNING 200 FOOD GRADE SILICONE OIL.

UNLESS OTHERWISE SPECIFIED: DIMENSIONS ARE IN INCHES TOLERANCES: FRACTIONAL ± 1/32 ANGULAR, MACH ± 0.5 BEND ± 2 ONE PLACE DECIMAL ± 0.1 TWO PLACE DECIMAL ± 0.01 THREE PLACE DECIMAL ± 0.005 TWO PLACE DUAL (mm) [± 0.12]	DRAWN	DHJ	4/30/2012	
	CHECKED	DHJ	7/11/2012	
PROPRIETARY AND CONFIDENTIAL THE INFORMATION CONTAINED IN THIS DRAWING IS THE SOLE PROPERTY OF LINKTECH LLC. ANY REPRODUCTION OR DISCLOSURE IN PART OR AS A WHOLE WITHOUT THE WRITTEN PERMISSION OF LINKTECH LLC IS STRICTLY PROHIBITED.	ENG APPR.	HRC	7/11/2012	PART NO: 40ACV-PB17-04 DESCRIPTION: LinkTech 40AC Series Straight Male, Valved, 1/4" O.D. Push-In, Natural Acetal
	MFG APPR.	BDB	7/11/2012	
	Q.A.	JJB	7/11/2012	
	COMMENTS:			SIZE DWG. NO. REV C 40AC400083 D
SCALE: NTS			WEIGHT:	SHEET 1 OF 1