



# T&S BRASS AND BRONZE WORKS, INC.

2 Saddleback Cove / P.O. Box 1088  
Travelers Rest, SC 29690



REG. #A2601  
ISO #9001

Model No.

B-1029

Item No.

Travelers Rest, SC: 800-476-4103 Simi Valley, CA: 800-423-0150 Fax: 864-834-3518 www.tsbrass.com

This Space for Architect/Engineer Approval

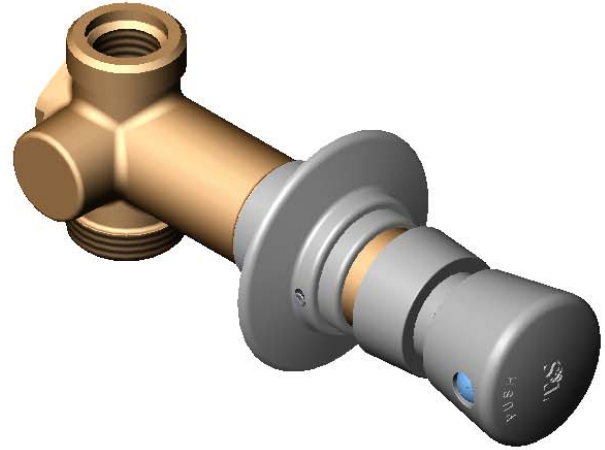
Job Name \_\_\_\_\_ Date \_\_\_\_\_

Model Specified \_\_\_\_\_ Quantity \_\_\_\_\_

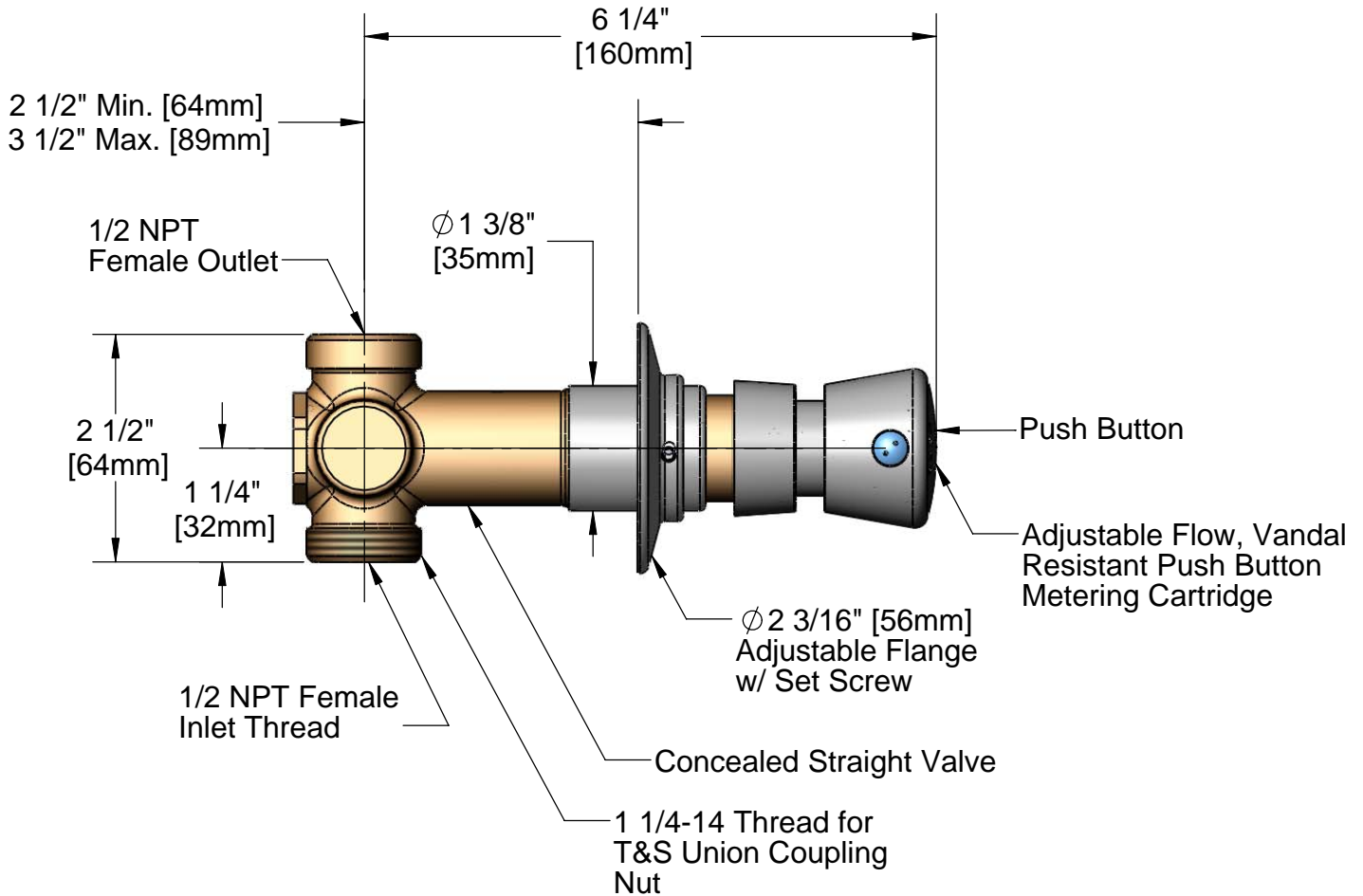
Customer/Wholesaler \_\_\_\_\_

Contractor \_\_\_\_\_

Architect/Engineer \_\_\_\_\_



**ADA Compliant**



Product Specifications:

**Concealed Straight Slow Self-Closing Valve  
w/ Adjustable Timed Flow, Vandal Resistant  
Design & Blank Push Button**

Drawn DHL	Checked JRM	Approved JHB
Scale: 1:2		Date: 07/21/08



**T&S BRASS AND BRONZE WORKS, INC.**

2 Saddleback Cove / P.O. Box 1088  
Travelers Rest, SC 29690



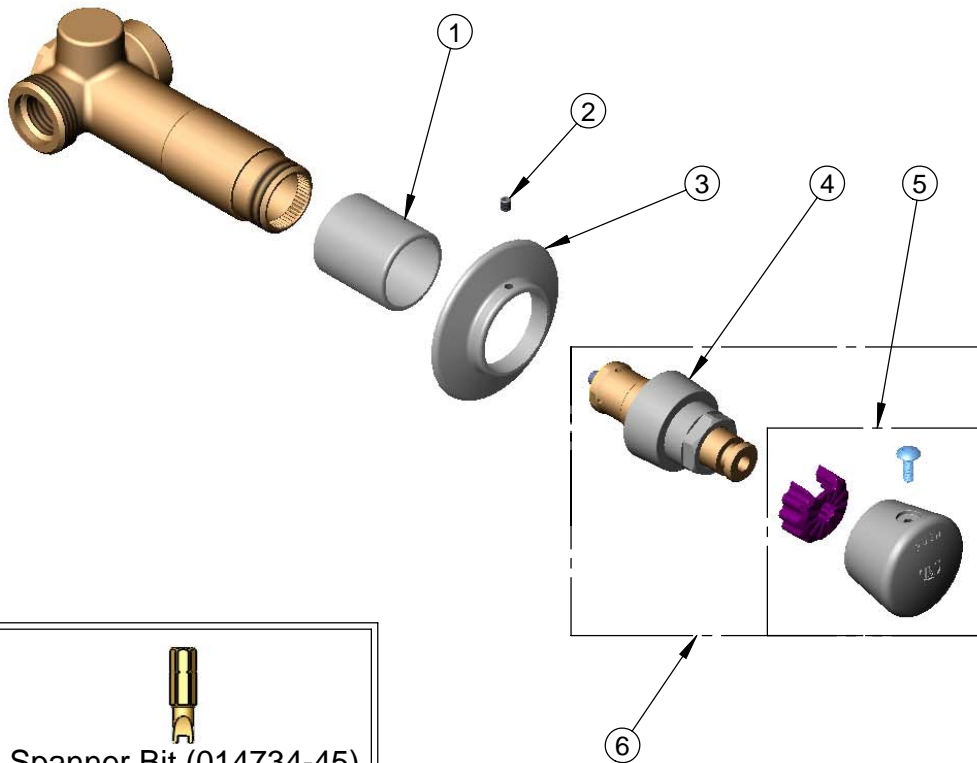
REG. #A2601  
ISO #9001

Model No.  
**B-1029**

Item No.

Travelers Rest, SC: 800-476-4103 Simi Valley, CA: 800-423-0150 Fax: 864-834-3518 www.tsbrass.com

ITEM NO.	SALES NO.	DESCRIPTION
1	151F	Escutcheon Tube
2	150F	Escutcheon Set Screw
3	001501-40	Escutcheon
4	238A	Push Button Metering Cartridge
5	014193-40	Blank Push Button Assembly
6	238AB	Metering Cartridge w/ Push Button



  
Spanner Bit (014734-45)  
for Vandal Resistant  
Push Button Included.

Product Specifications:

**Concealed Straight Slow Self-Closing Valve  
w/ Adjustable Timed Flow, Vandal Resistant  
Design & Blank Push Button**

Drawn <b>DHL</b>	Checked <b>JRM</b>	Approved <b>JHB</b>
Scale: <b>1:4</b>		Date: <b>07/21/08</b>