

INSTALLATION AND OPERATION

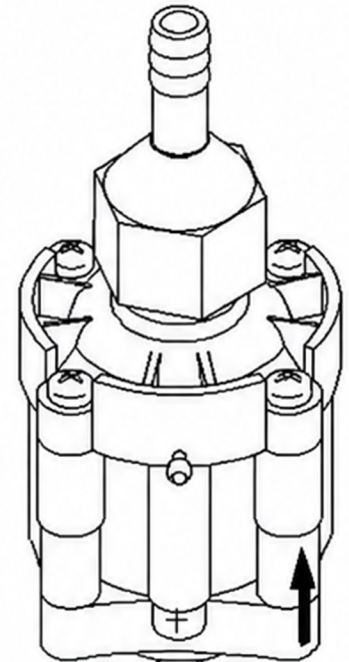
Product Description: SHURflo's 183 series is a fixed pressure water reducing device (non-adjustable). Its' function minimizes input water pressure fluctuations while guarding against high incoming spikes of pressure. Actual pressure reduction is dependent upon input pressure and flow rate (reference graphs). The pressure rating specified in each of the different models are based around the devices "nominal" output pressure.

Installation

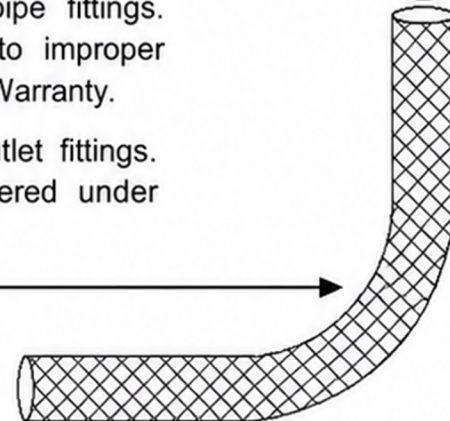
- Use **only** high pressure braided flexible tubing to plumb inlet/outlet fittings. **Do not** connect directly to rigid or plastic pipe.
- Secure tubing connections with the appropriately sized stainless steel, stepless Oetiker® clamps.
- Tie-wrap or clamp tubing to inhibit sags or stress to the unit and related components.

CAUTION: Use only the SHURflo outlet fitting provided. **Hand-tighten** fitting, maximum torque is 8-10 ft/Lb. [10-13 N•m]. **Never** connect the units straight threads to tapered pipe fittings. Damage to the housing, fitting, or failure due to improper installation is not covered under SHURflo's Limited Warranty.

CAUTION: Do not place undue stress or side load on in/outlet fittings. Failure due to improper installation is not covered under SHURflo's Limited Warranty.

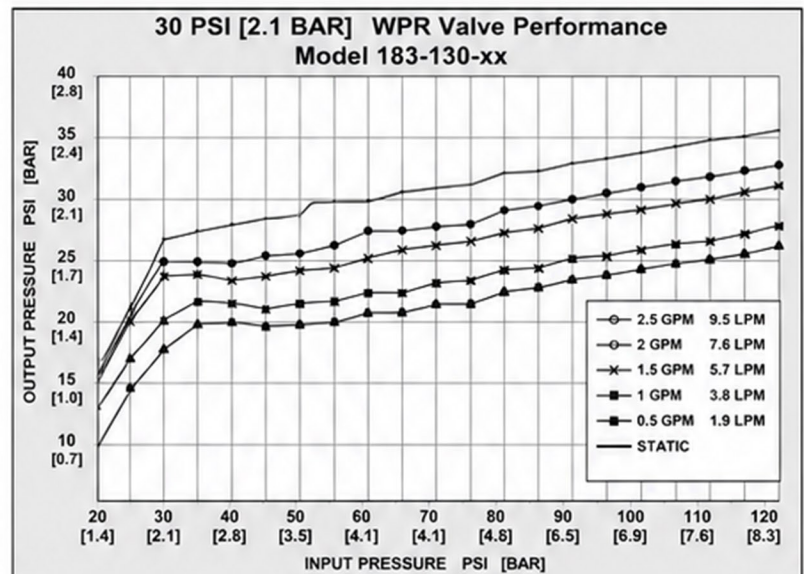


Minimum tubing radius
1ft. [30 cm] typical in/outlet

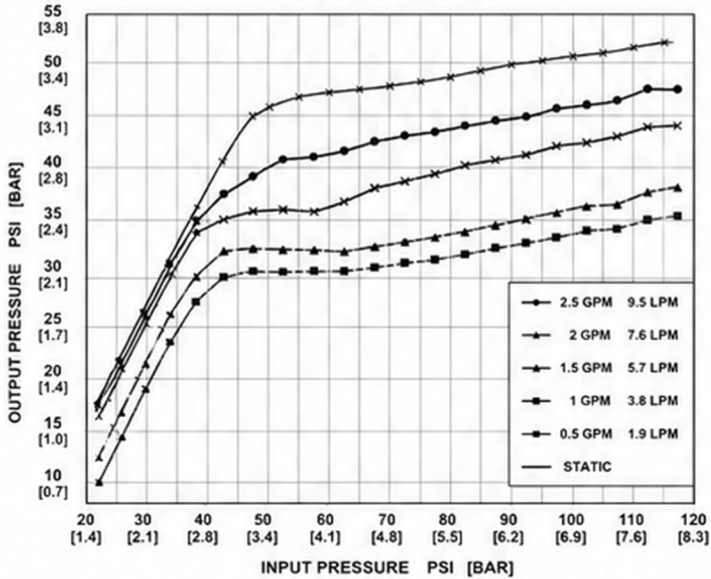


Model #	Nominal Pressure PSI / BAR
183-130-00	30 / 2.1
183-150-00	50 / 3.4
183-165-00	65 / 4.5

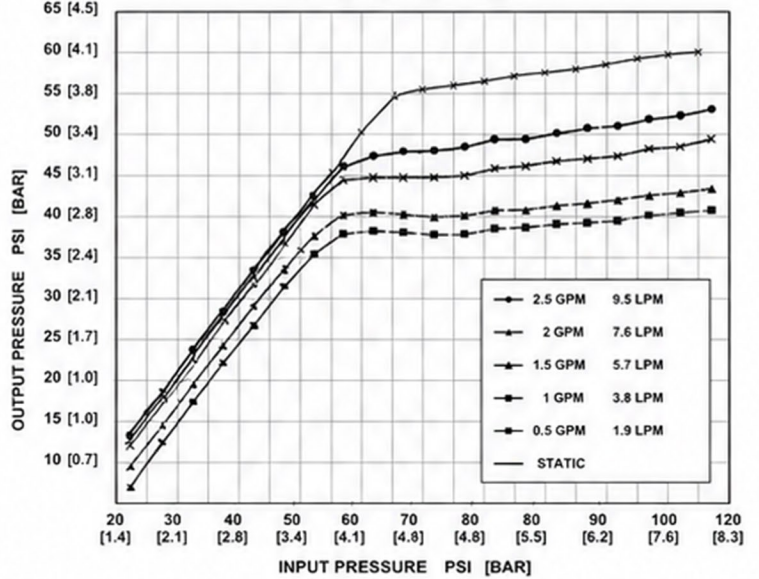
Note: 3/8" barb plastic fitting std. in all models above. Other fittings are also available.



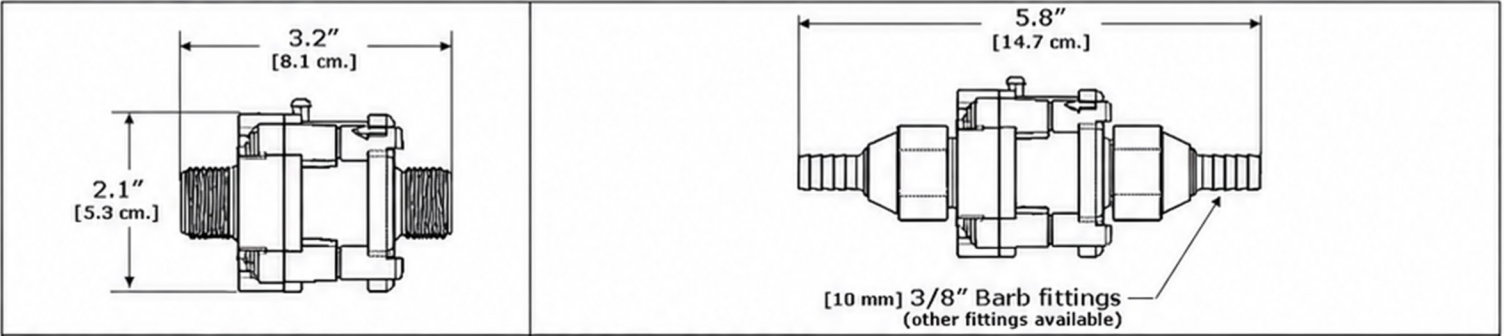
**50 PSI [3.4 BAR] WPR Valve Performance
Model 183-150-xx**



**65 PSI [4.5 BAR] WPR Valve Performance
Model 183-165-xx**



Overall Dimensions



Max.. Operating Pressures	125 psi. [8.6 bar]
Water Temperature	34°–120°F [1°–52°C]
Materials of Construction	Polypropylene, Santoprene, EPDM, celcon, glass filled nylon, 300 series stainless steel, zinc plated steel

LIMITED WARRANTY

SHURflo's Water Pressure Reducing Valve is warranted to be free of defects in material and workmanship under normal use, for a period of one (1) year from the date of manufacture, or one (1) year of use, with proof of purchase. This limited warranty will not exceed two (2) years, in any event.

The limited warranty will not apply to Pressure Reducing Valves that were improperly installed, misapplied, or incompatible with fluids or components not manufactured by SHURflo. Failure due to foreign debris is not covered under the terms of this limited warranty. SHURflo will not warrant any Pressure Reducing Valve which is damaged or modified outside the SHURflo factory.

Returns are to be shipped postage prepaid to the authorized distributor where purchased. SHURflo shall not be liable for freight damage incurred during shipping, package returns carefully.

No credit or labor allowances will be given to the returnee for products returned as defective. Warranty replacements will be shipped on a freight allowed basis. SHURflo reserves the right to choose the method of transportation.

This limited warranty is in lieu of all other warranties, expressed or implied, and no other person is authorized to give any other warranty or assume obligation or liability on SHURflo's behalf. SHURflo shall not be liable for any labor, damage or other expense, nor shall SHURflo be liable for any indirect, incidental or consequential damages of any kind incurred by the reason of the use or sale of any defective product or part. This limited warranty covers beverage products distributed within the United States of America. Other countries should consult with the distributor for any deviation from this document.



SHURflo reserves the right to update specifications, prices, or make substitutions.



SHURflo ★
1040 Muirfield Drive
Hanover Park, IL 60133
(800) 323-7873
(630) 307-3000
FAX (630) 307-3030

SHURflo East
52748 Park Six Court
Elkhart, IN 46514-5427
(800) 762-8094
(219) 262-0478
FAX (219) 264-2169
© 2007 Printed in USA

SHURflo Ltd.
Unit 5 Sterling Park
Gatwick Road, Crawley
West Sussex, RH10 2QT
United Kingdom
+44 1293 424000
FAX +44 1293 421880