

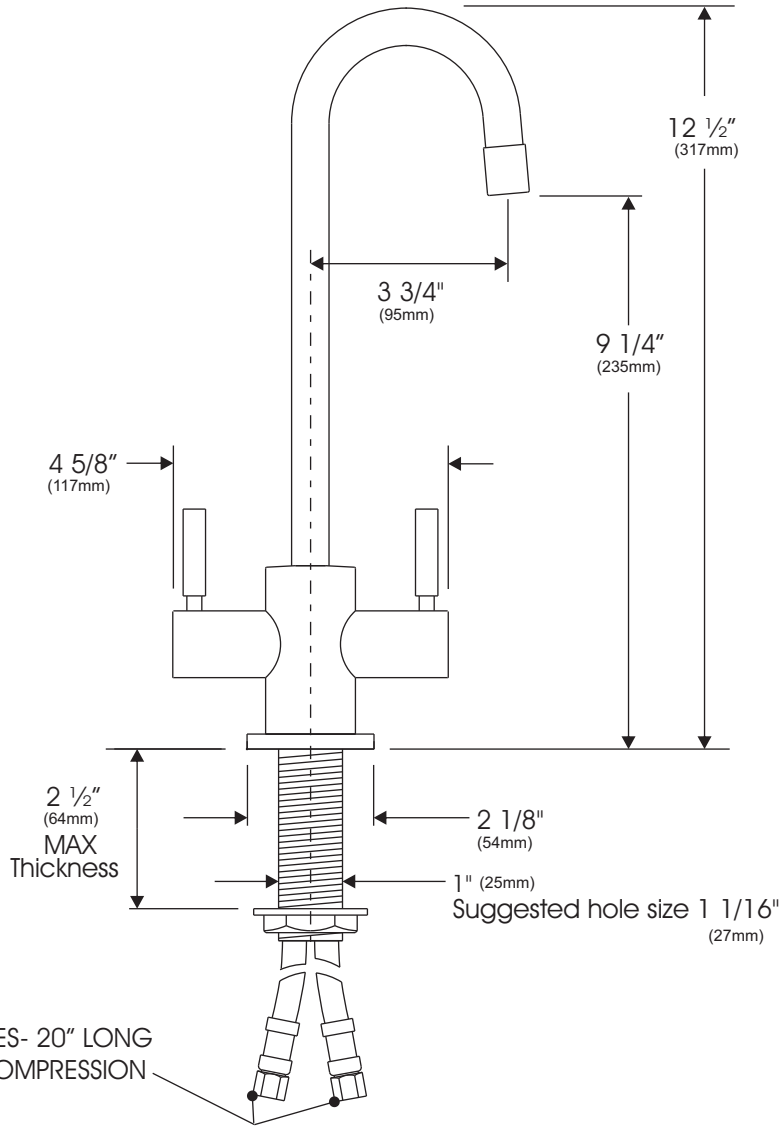


41180 Raintree Court  
 Murrieta, CA 92562  
 1-888-304-0660  
 www.waterstoneco.com

ITEM NO: **1600**  
 STYLE: **PARCHE**  
 INTENDED USE: BAR FAUCET

CUSTOMER NAME:

JOB NO:



DIMENSIONS MAY VARY AND ARE SUBJECT TO CHANGE. NO RESPONSIBILITY IS ASSUMED FOR USE OF SUPERCEDED OR VOIDED DATA

### Technical Specifications

- Solid brass or Stainless Steel construction.
- 1/4 turn ceramic disk valve cartridges.
- Lever handles.
- 1.7 gpm maximum flow rate.
- 360 degree swivel spout.
- Reinforced braided connection hoses.

### Codes/Standards Applicable

Specified model meets or exceeds the following:

- ASME A112.18.1
- CSA B125.1
- NSF 61
- CALGreen
- ADA

DATE: 1-10-08



MADE IN THE USA