

Quick Change Single Manifolds

For use with Everpure quick-change cartridges



APPLICATIONS

Fountain | Tea
Ice machines
Coffee

FEATURES AND BENEFITS

Commercial-grade filter heads for Everpure filter cartridges.

Optional built-in water shut-off valve and flushing valve makes cartridge change-outs easy.

A cartridge nesting feature provides a more secure and durable fit.

Includes mounting box bracket and screws for fast and easy installation. No extra mounting plate is required.

Built-in water pressure gauge helps monitor proper flow.

All wetted parts have passed NSF extraction tests.

Engineered for durability, strength and longevity. Will not corrode.

Includes EC110 or EC210 pre-filter cartridge.

OPERATIONAL TIPS

Change cartridges on a regular 6 month preventative maintenance program.

Change cartridges when capacity is reached or when pressure decreases.

Everpure water treatment systems (excluding replaceable elements) are covered by a limited warranty against defects in material and workmanship for a period of five years after date of purchase. Everpure replaceable elements (filter cartridges and water treatment cartridges) are covered by a limited warranty against defects in material and workmanship for a period of one year after date of purchase. See printed warranty for details. Everpure will provide a copy of the warranty upon request.



QC71 Single Head: EV9272-41



Coldrink/Insurice Manifold with 10" Prefilter: EV9293-01



Coldrink/Insurice Manifold with 20" Prefilter: EV9293-21

EC110 replacement cartridge: EV9534-12 (12 PK)

EC210 replacement cartridge: EV9534-26 (6 PK)

SPECIFICATIONS

Dimensions:	Model	Dimensions
	EV9272-41	8.043" W x 7.953" H x 6.13" D (20.43 x 20.20 x 15.57 cm)
	EV9293-01	14.254" W x 14.877" H x 6.13" D (36.20 x 37.79 x 15.57 cm)
	EV9293-21	14.254" W x 25.107" H x 6.13" D (36.20 x 63.77 x 15.57 cm)
	EV9534-12 (12 PK)	9.8" H x 3.38" Ø (24.90 x 8.58 Ø cm)
	EV9534-26 (6 PK)	20" H x 3.38" Ø (50.8 x 8.58 Ø cm)

Electrical Connection: None

Quick Change Single Manifolds

EV9272-41, EV9293-01, EV9293-21

INSTALLATION TIPS

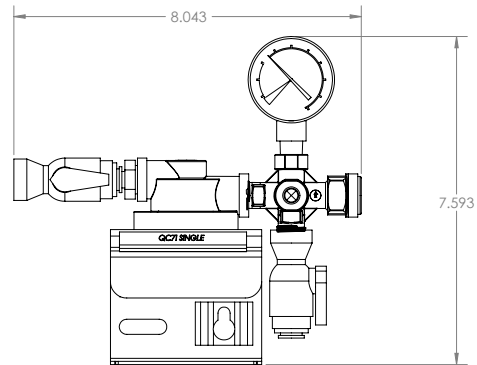
Mounts directly onto flat surface.

Install vertically so cartridge hangs down.

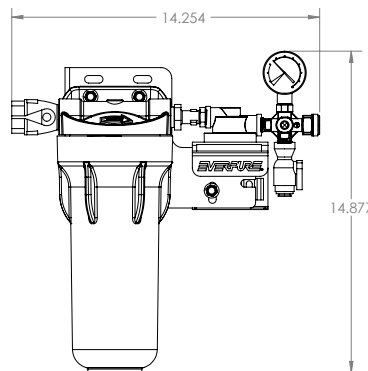
Allow 2½" clearance below the cartridge for easy cartridge replacement.

Flush filter by running water through filter according to cartridge instructions.

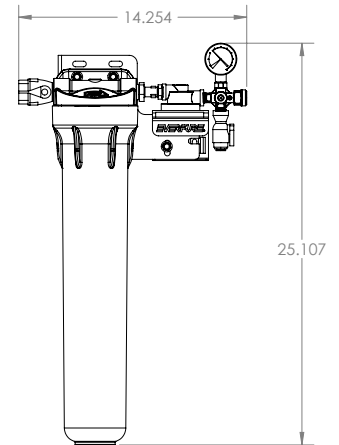
Refer to Installation, Operation & Maintenance Manual for cartridge flushing and start-up.



QC71 Single Head: EV9272-41



Coldrink/Insurice Manifold with 10" Prefilter: EV9293-01



Coldrink/Insurice Manifold with 20" Prefilter: EV9293-21

Everpure reserves the right to update specifications, change prices, or make substitutions without notice.

QC-Single Manifolds MR11



Visit our website at www.everpure.com

Everpure-SHURflo India
Green Boulevard, B-9/A, 7th Floor -
Tower B Sector 62, Noida - 201301
TEL: 91.120.419.9444
FAX: 91.120.419.9400
EMAIL: indiacustomer@pentair.com

Everpure-SHURflo Japan Inc.
Hashimoto MN Bldg. 7F
3-25-1 Hashimoto, Midori-ku
Sagamihara-Shi Kanagawa 252-0143
JAPAN
TEL: 81.(0)42.775.3011
FAX: 81.(0)42.775.3015
EMAIL: info@everpure.co.jp

Everpure-SHURflo China
21F Cloud 9 Plaza, No 1118,
Shanghai, 200052
CHINA
TEL: 86.21.3211.4588
FAX: 86.21.3211.4580
EMAIL: China.Water@Pentair.com

Pentair Filtration Solutions, LLC
World Headquarters-Everpure/SHURflo
North and South America Sales
1040 Muirfield Dr.
Hanover Park, Illinois 60133
USA
TEL: 800.942.1153 (US only)
TEL: 630.307.3000
FAX: 630.307.3030
EMAIL: cseverpure@pentair.com

Everpure-SHURflo Australia
2 Redwood Drive
Notting Hill
Victoria, 3168
AUSTRALIA
TEL: 011.61.39.574.4000
FAX: 011.61.39.562.7237
EMAIL: au.everpure@pentair.com

Everpure-SHURflo Southeast Asia
18 Boon Lay Way
#04-110/111
TradeHub 21, 609966
SINGAPORE
TEL: 65.6795.2213
FAX: 65.6795.2219
EMAIL: cseverpure@pentair.com

Everpure-SHURflo Europe
Pentair Water Belgium bvba
Industriepark Wolfstee
Toekomstlaan
30 B-2200 Herentals, BELGIUM
TEL: +32.(0).14.283.500
FAX: +32.(0).14.283.505
EMAIL: sales@everpure-europe.com