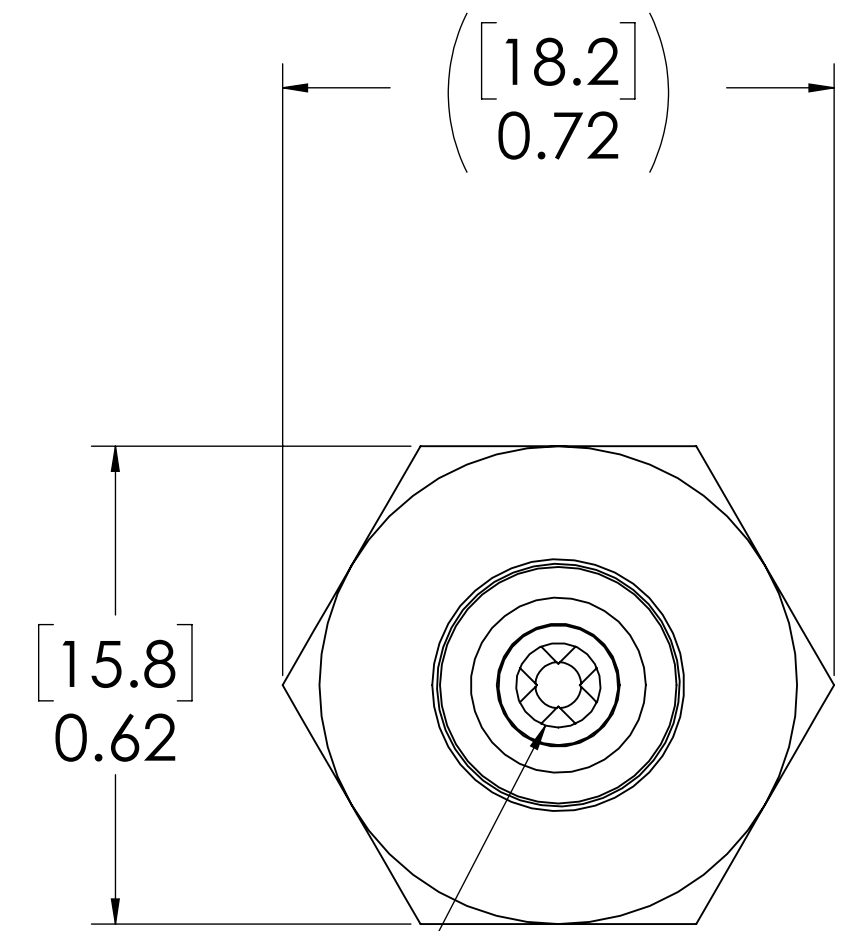
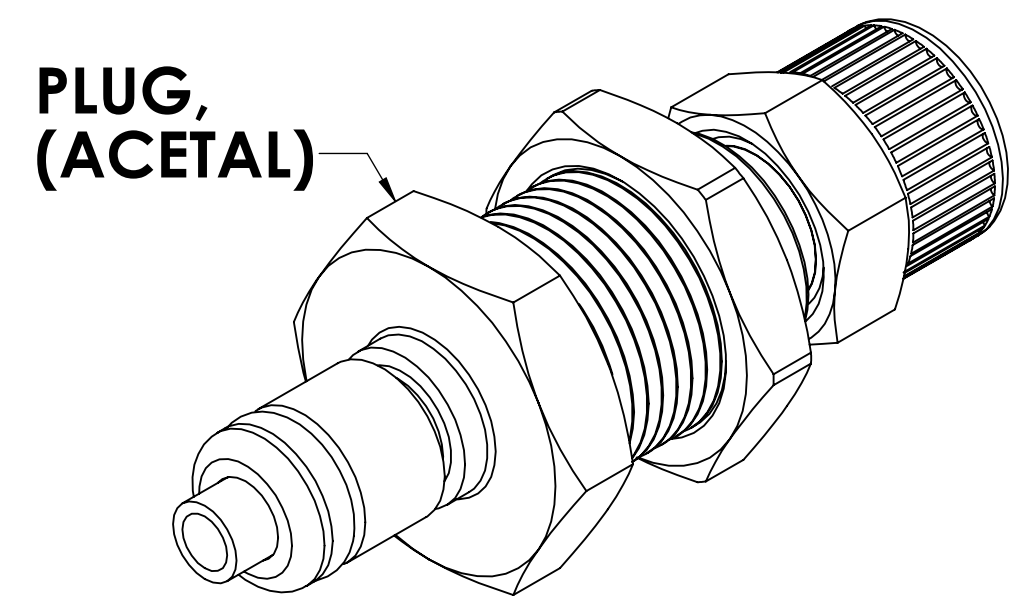
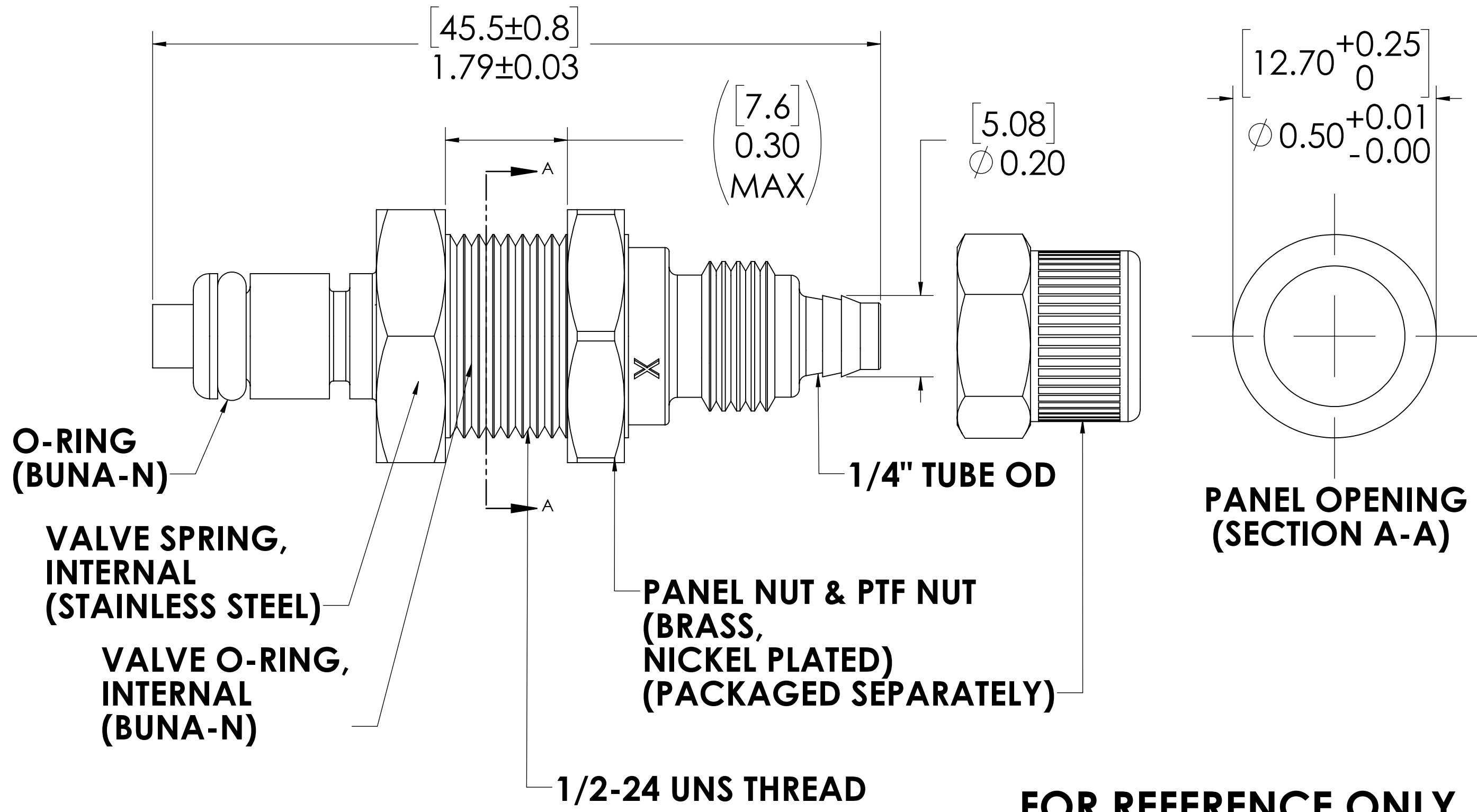


REVISIONS						
SHEET	ZONE	REV.	ECO	DESCRIPTION	DATE	APPROVED
1	ALL	A	50253	2017 FORMAT UPDATE	8/9/2018	HRC



**VALVE,
(ACETAL)**



**O-RING
(BUNA-N)**

**VALVE SPRING,
INTERNAL
(STAINLESS STEEL)**

**VALVE O-RING,
INTERNAL
(BUNA-N)**

**PANEL NUT & PTF NUT
(BRASS,
NICKEL PLATED)
(PACKAGED SEPARATELY)**

1/2-24 UNS THREAD

1/4" TUBE OD

**PANEL OPENING
(SECTION A-A)**

- NOTES:**
- MATERIAL: ACETAL
 - COLOR: NATURAL WHITE
 - O-RING MATERIAL: BUNA-N
 - O-RINGS LUBRICATED WITH FOOD GRADE SILICONE OIL, 350 CST.

FOR REFERENCE ONLY

<small>UNLESS OTHERWISE SPECIFIED: DIMENSIONS ARE IN INCHES TOLERANCES: FRACTIONAL ±1/32 ANGULAR: MACH ±0.5 BEND ±2 ONE PLACE DECIMAL ±0.1 TWO PLACE DECIMAL ±0.01 THREE PLACE DECIMAL ±0.005 TWO PLACE DUAL (mm) [±0.12]</small>	DRAWN	RDA	8/11/2017	
	CHECKED	HRC	8/11/2017	
	ENG APPR.	HRC	8/9/18	
	MFG APPR.	BDB	8/9/18	
<small>PROPRIETARY AND CONFIDENTIAL THE INFORMATION CONTAINED IN THIS DRAWING IS THE SOLE PROPERTY OF LINKTECH LLC. ANY REPRODUCTION OR DISCLOSURE IN PART OR AS A WHOLE WITHOUT THE WRITTEN PERMISSION OF LINKTECH LLC IS STRICTLY PROHIBITED.</small>	Q.A.	JJB	8/9/18	PART NO: 20ACV-PB8-04 DESCRIPTION: LinkTech 20AC Series Panel Mt. Male, Valved, 250 PTF, Natural Acetal SIZE DWG. NO. REV C 20AC200313 A SCALE: NTS WEIGHT: SHEET 1 OF 1