

STORM CAFÉ



Bottled Water and Coffee Dispenser

Model: ABFM2KHK1CF (Hot & Cold, Black)

Voltage: 100-115VAC 60Hz, 1Ph

Amp Draw: : 8.9-9.5 amps

Dimensions:

12.6"(W) X 13.39 "(D) X 45.17"(H)

Net Weight (approx.):33 lbs.

Refrigerant Type: R134a

Refrigerant Charge: 1.13 oz

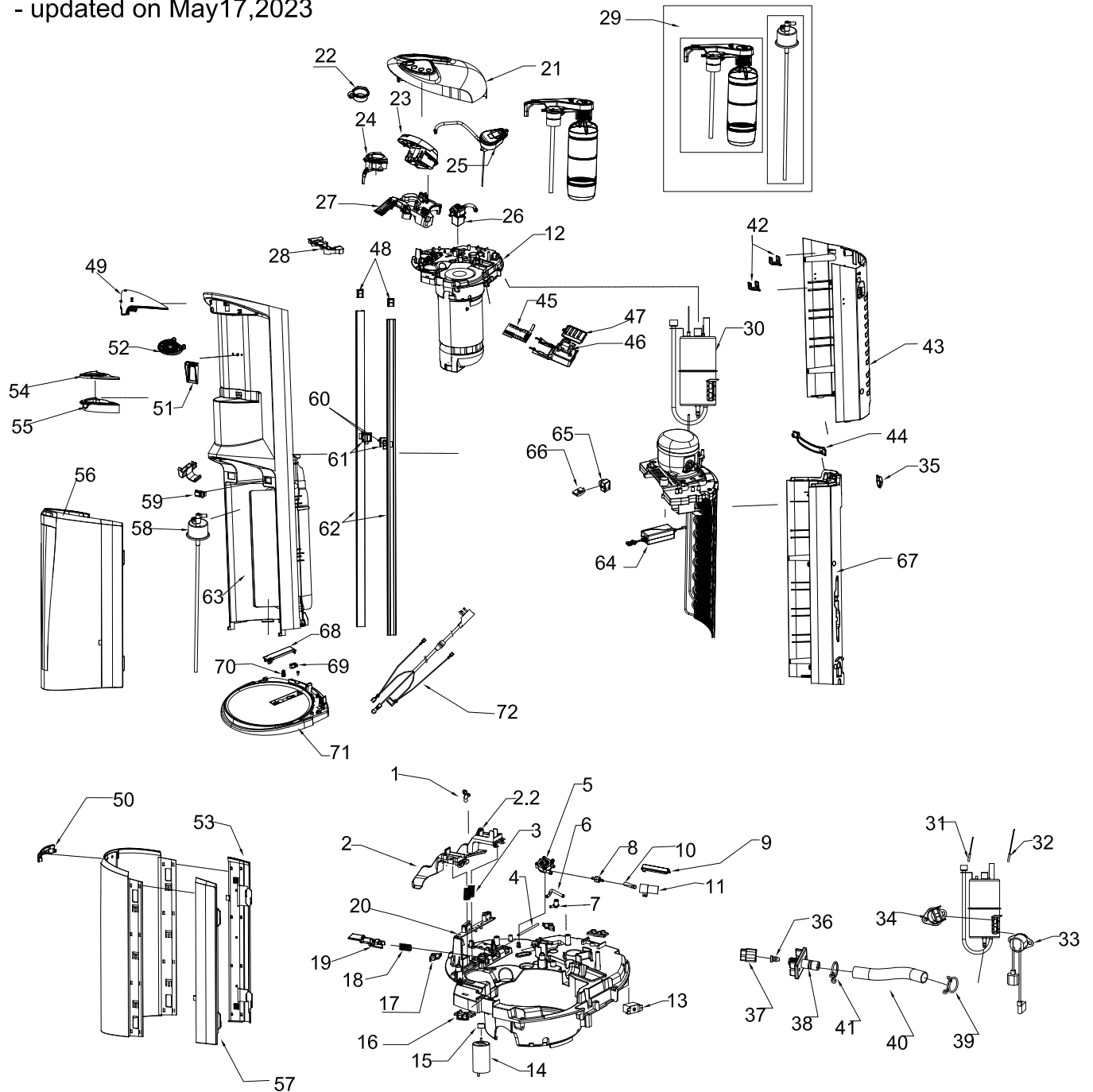


Crystal Mountain Products, Inc. • 1000 H Taylor Station Rd • Gahanna OH 43230

614.454.1618 • www.crystalcoolers.com

PARTS DIAGRAM

Storm Coffee Exploded View
- updated on May17,2023



PARTS LISTING

DESCRIPTION	ABFM2KHK1CF	
1	outlet tube connector	PLC-C150230
2	Cold Faucet Handle + Printing (Blue) - ST	SUB-C200829
2.2	Hot Faucet Handle + Printing (Red) - ST	SUB-C200445
3	Spring, SS, Faucet	FAS-C100104
4	Pin, Handle 76mm	FAS-C100199
5	Flow Meter	ELE-C100489
6	Tube, Silicone, Flow Meter	ELE-C100489
7	Connector, Water, Female	PLC-C150167
8	Valve, One Way	POU-C100100
9	Cover, Pump	PLC-C150174
10	Tube, Silicone, Air Pump	SIL-C150032
11	Pump, Air, DC12V	ELE-C100436
12	Upper Shelf Assembly	SUB-C200632 - H&C Top Shelf Assembly – ST Café for (6/8/10oz), with Green Main PCB SUB-C200981 - H&C Top Shelf Assembly – ST Café for (6/8/10oz), with Blue Main PCB SUB-C200982 - H&C Top Shelf Assembly – ST Café for (6/8/10oz), with Red Main PCB
13	Cold Control	REF-C100035
14	Motor, 12V DC, 1600 RPM	ELE-C100204
15	Bushing, Motor	PLC-C150052
16	Door Rail, Cap	PLC-C150033
17	Latch, SmartFlo, Cafe	PLC-C150166
18	Spring, SS, Safety Button	FAS-C100116
19	Safety Button, Red	PLC-C150126
20	PCB Switch Board	ELE-C100421
21	Top Cover Assembly	SUB-C200841 - Top Cover Assm - AquaBarista for (6/8/10oz) with Green UI PCBA SUB-C200625 - Top Cover Assm - ST Café for (6/8/10oz) with Green UI PCBA SUB-C200913 - Top Cover Assm - AquaBarista for (6/8/10oz) with Blue UI PCBA SUB-C200914 - Top Cover Assm - ST Café for (6/8/10oz) with Blue UI PCBA SUB-C200945 - Top Cover Assm - AquaBarista for (6/8/10oz) with Red UI PCBA SUB-C200980 - Top Cover Assm - ST Café for (6/8/10oz) with Red UI PCBA
22	Pod Holder	PLC-C150162
23	Housing, Rear Café Assy	SUB-C200640
24	Housing, Front, Café Assy	SUB-C200642
25	Steam Valve, Café	SUB-C200634
26	Solenoid Valve	SUB-C200638
27	Base, Café Module Assy	SUB-C200639
28	Cover, Power PCBA	PLC-C150191
29	SmartFlo, Single Pack	SUB-C200724
30	Hot Tank Assembly	SUB-C200628
31	NTC, White	ELE-C100457
32	NTC, Red	ELE-C100452
33	Limitter	ELE-C100459
34	Thermostat, Sealed	ELE-C100458
35	HT drain cover - 2 piece back panel	PLC-C150217
36	Plug, Drain, Yellow	SIL-C100154
37	Drain Cap	PLC-C100399
38	Drain Fitting	PLC-C120021
39	Spring Clip	FAS-C000029
40	Tube, Drain	SIL-C150002
41	Spring Clip	FAS-C000029
42	Adaptor, Rear Panel	PLC-C150198
43	Panel, Top Rear	PLC-C150195
44	Handle	PLC-C150197
45	Main PCBA	ELE-C100456 8/10/12 ounce green board ELE-C100535 6/8/10 ounce green board ELE-C100519 6/8/10 ounce blue board ELE-C100569 6/8/10 ounce red board
46	PCBA, Power	ELE-C100440
47	Cover, Power PCB	PLC-C150188
48	Spring Block	PLC-C150028
49	Face Plate Assy	SUB-C200574 with gold color LED PCBA, which match with the old green Main PCBA and UI Board SUB-C200821 with Blue color LED PCBA, which match with blue/red Main PCBA and UI Board
50	Door Handle	PLC-C150015
51	Support, Raised Drip Tray	PLC-C150015
52	Drip Tray, Raised	PLC-C150180
53	Door Slider, Left	PLC-C150010
54	Cover, Drip Tray	PLC-C150012
55	Drip Tray	PLC-C150212
56	Door Assy	SUB-C200233
57	Door Slider, Right	PLC-C150009
58	Bottle Adaptor Assembly (Round) - ST spare part shipment	SUB-C200412
59	Switch, Power, Hot Tank	ELE-C000010
60	Spring, SS, Door	FAS-C100109
61	Door Spring Holder	PLC-C150027
62	Door Rail	PLC-C150038
63	Panel, Front	PLC-C150004
64	Transformer, 100-240 VAC, 12VDC, 25W	ELE-C100415
65	Relay	REF-C100211
66	Overload	REF-C100167
67	Panel, Rear Lower	PLC-C150196
68	Low Bottle Indicator	PLC-C150041
69	PCB, Low Bottle Indicator	ELE-C100209
70	Spring, SS	FAS-C100108
71	Base Plate	PLC-C150204
72	Power Cord	ELE-C100451
	Parts Not Shown:	
	Hinge Pin, SS OD 3mm x L85mm (top cover)	FAS-C100192
	Catch, Top Cover	PLC-C150178
	Hinge Cover	PLC-C150143
	Seal, Steam Valve, Red	SIL-C100149
	Tube, Steam Valve SS	FAS-C100203
	Cup Dispenser, Storm	SUB-C200620

Storm Café Series PCBA's Explanation

ELE-C100535 Main PCBA, Green Board has been discontinued.

Boards must be replaced as a set by ordering either of these two combinations;

1. ELEC-C100519 Main PCBA, Blue Board

SUB-C200913 Top Cover Assembly for Aqua Barista, Blue, 6,8,10 oz UI

SUB-C200914 Top Cover Assembly for Storm Cafe, Blue, 6,8,10 oz UI

SUB-C200821 Face Plate Assembly go with both blue or red light PCB

2. ELEC-C100569 Main PCBA, Red Board

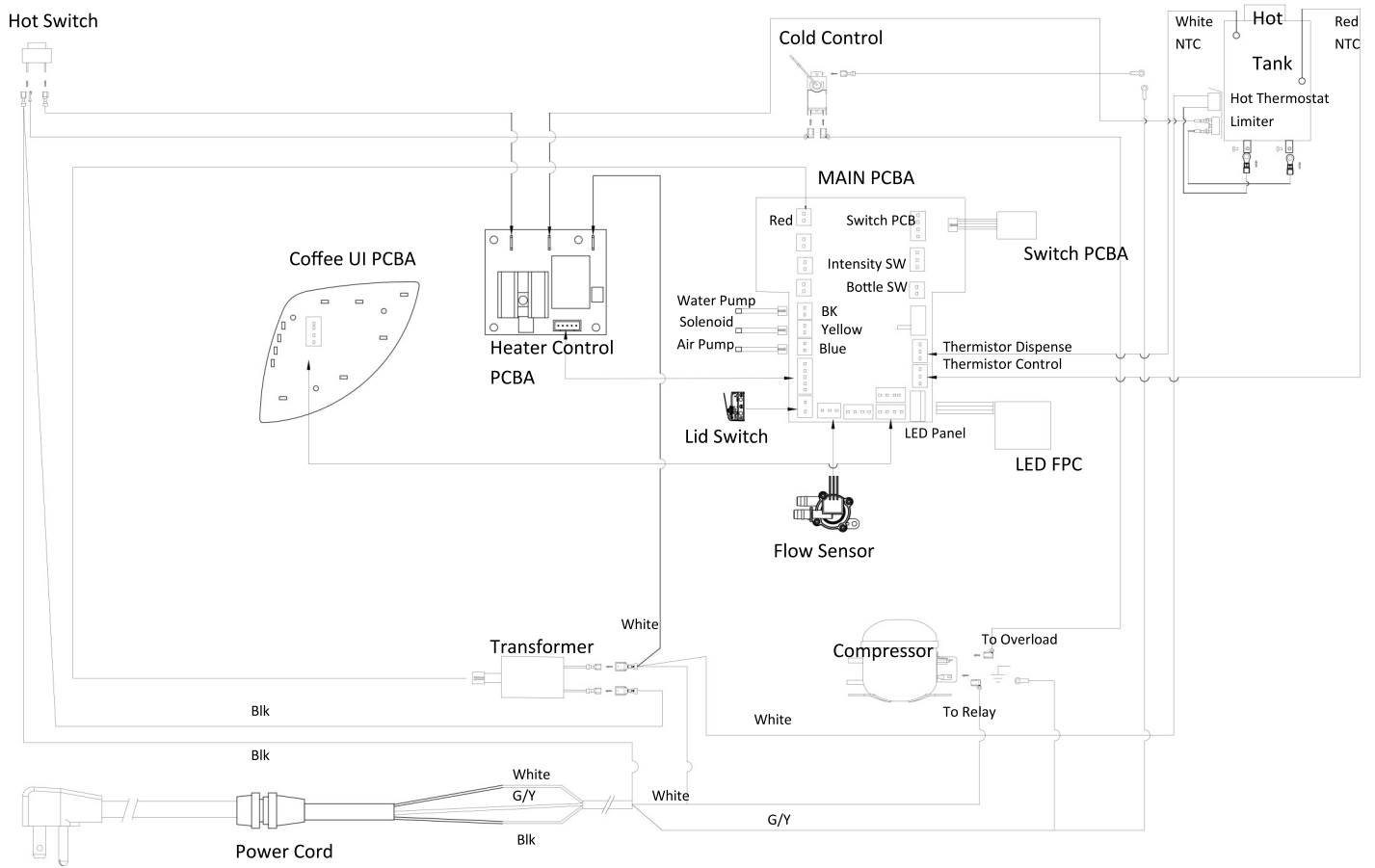
SUB-C200980 Top Cover Assembly for Storm Cafe, Red, 6,8,10 oz UI

SUB-C200945 Top Cover Assembly for Aqua Barista, Red, 6,8,10 oz UI

SUB-C200821 Face Plate Assembly go with both blue or red light PCB

When ordering replacement PCBA's that are Blue or Red refer to part numbers listed above.

WIRING DIAGRAM



www.crystalcoolers.com

Copyright © 2023 Crystal Mountain Products, Inc.

Manufactured under U.S. Patent No. 10,781,093 and other patents pending