

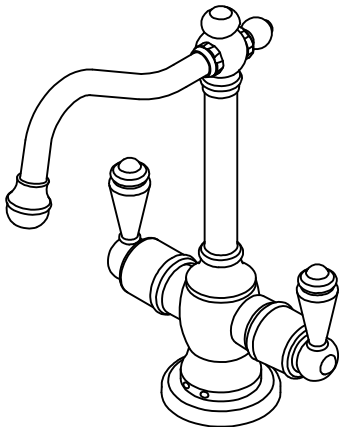
MT1100 MT1151 MT1200

"THE LITTLE GOURMET®" INSTANT HOT WATER DISPENSER

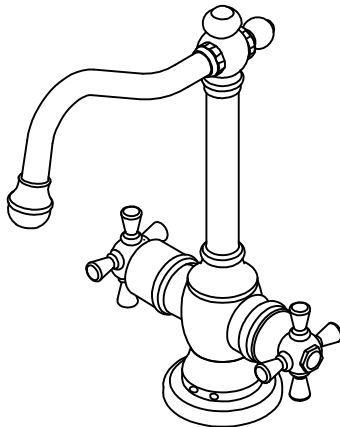
MT1101 MT1152 MT1201

"THE LITTLE GOURMET®" INSTANT HOT AND COLD WATER DISPENSER

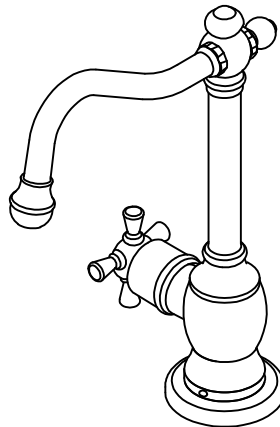
INSTALLATION SHEET



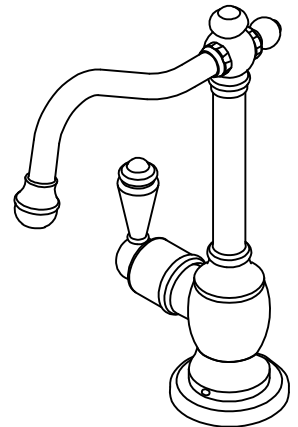
MT1101



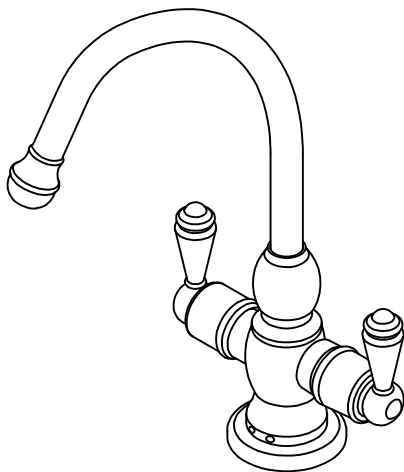
MT1152



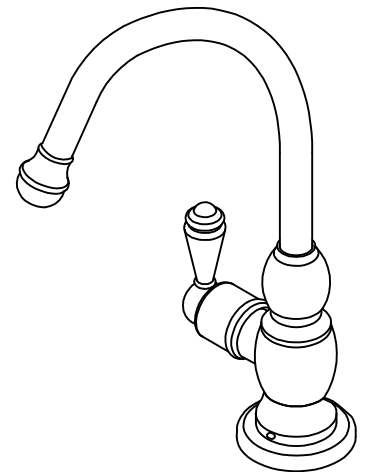
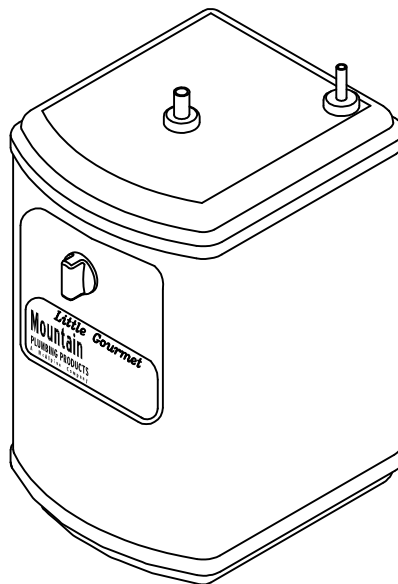
MT1151



MT1100



MT1201

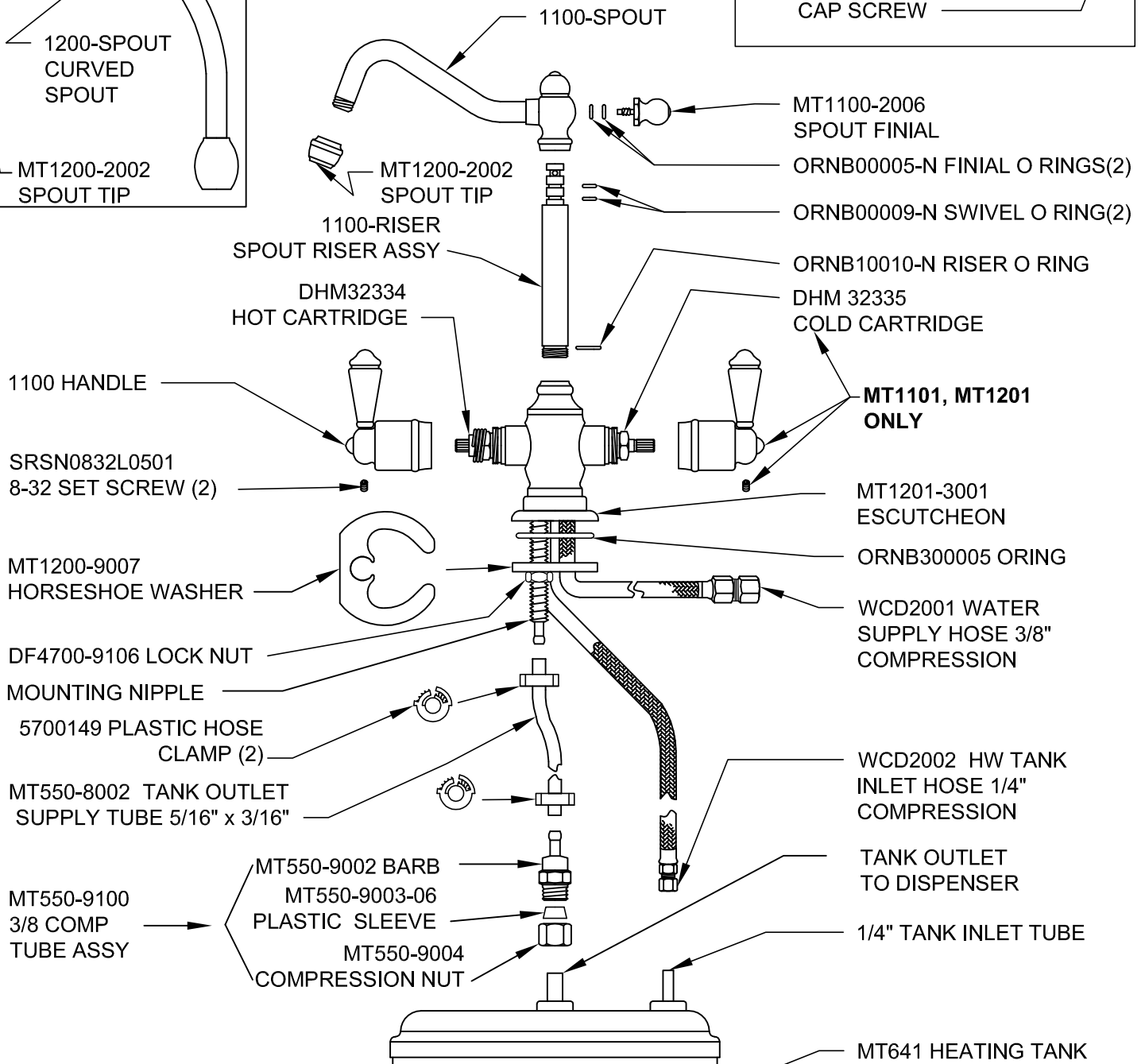
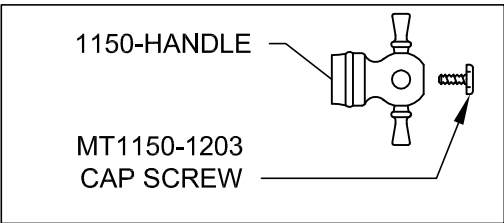
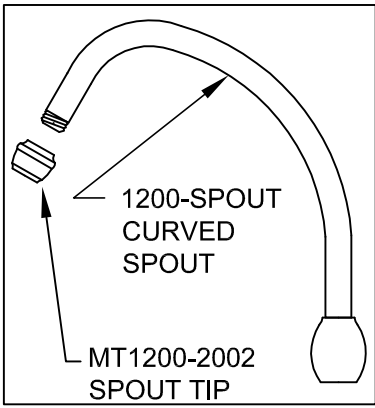


MT1200



MOUNTAIN PLUMBING PRODUCTS
1351 METROPOLITAN AVE.
WEST DEPTFORD, NJ 08066

888-222-9140
fax 856-853-6114
www.mountainplumbing.com



**NOT
RECOMMENDED
FOR RO FILTERS**

IMPORTANT PLEASE READ:

- INSTALLATION MUST COMPLY WITH LOCAL PLUMBING CODES.
- READ THESE INSTRUCTIONS FOR THE DISPENSER AND MT641 HEATING TANK BEFORE PROCEEDING.
- DO NOT KINK FLEXIBLE SS HOSES. MAKE SURE THE TANK OUTLET SUPPLY TUBE HAS NO LOOPS OR LOW AREAS.
- TIGHTEN FITTINGS WITH AN ADJUSTABLE CRESCENT OR OPEN END WRENCH. NEVER USE A PIPE WRENCH.
- NEVER DISPENSE BOTH HOT AND COLD WATER AT THE SAME TIME.
- DISPENSER MAY OCCASIONALLY DRIP DURING INITIAL HEAT UP AND DURING USE WHEN TANK IS HEATING MORE WATER.

1. MAKE SURE COUNTER HAS A 1 1/4" TO 1 3/8" MOUNTING HOLE AND COUNTER IS NO MORE THAN 2 1/4" THICK.
2. REMOVE LOCK NUT AND HORSESHOE WASHER FROM THE DISPENSER MOUNTING NIPPLE ON THE DISPENSER.
3. MAKE SURE ORING ORNB30005 IS IN THE BOTTOM OF ESCUTCHEON. SLIDE THE MOUNTING HOSES THROUGH THE COUNTER.
4. PLACE THE HORSESHOE WASHER ON THE MOUNTING NIPPLE AND THREAD ON LOCK NUT. MAKE SURE DISPENSER IS ALIGNED PROPERLY AND THE HOT HANDLE IS ON THE LEFT. TIGHTEN THE LOCK NUT.
5. MAKE SURE THE HEATING TANK IS LOCATED SO THAT THE WCD2002 HW TANK HOSE CAN BE CONNECTED DIRECTLY TO THE HEATER WITHOUT ANY EXTENSIONS.

INSTALL THE HEATING TANK PER THE INSTRUCTIONS SUPPLIED WITH THE HEATING TANK.

6. CONNECT WCD2001 SUPPLY HOSE TO AN INLET STOP OR SUPPLY VALVE. DO NOT CONNECT DIRECTLY TO A WATER SUPPLY WITHOUT A SHUTOFF VALVE. **FLUSH** ALL LINES BEFORE CONNECTING.
7. CONNECT THE WCD2002 1/4" COMPRESSION HOSE TO THE TANK INLET LOCATED IN THE RIGHT HAND BACK CORNER ON THE TOP OF THE TANK. SEE FIG 1.
8. INSTALL MT550-9100 3/8" COMPRESSION TUBE ASSY ON TANK OUTLET TUBE. DO NOT OVER TIGHTEN.
9. SLIDE CLAMP 5700149 ON THE TANK OUTLET SUPPLY TUBE AND PUSH TUBE ALL THE WAY UP ON THE MOUNTING NIPPLE BARB.
10. CHECK THE CORRECT POSITION AND LENGTH OF THE HOSE SO THAT THERE ARE NO LOOPS OR LOW AREAS WHEN INSTALLED ON THE TANK. CUT THE HOSE IF REQUIRED, SLIP ON CLAMP 5700149 THEN PUSH HOSE ON BARB END OF COMPRESSION TUBE ASSY. THEN SQUEEZE THE CLAMPS TO SECURE. DO NOT OVER TIGHTEN.
11. VERIFY ALL CONNECTIONS ARE TIGHT AND REFER TO TANK INSTRUCTIONS FOR INITIAL HEAT UP OF TANK.
12. **DO NOT PLUG IN HEATING TANK YET!** TURN ON WATER, OPEN HOT SIDE TO FILL TANK. TANK IS FULL WHEN WATER FLOWS FROM DISPENSER. CHECK FOR LEAKS.
13. PLUG IN TANK AND TURN CONTROL KNOB TO MAXIMUM SETTING THEN WAIT 15 MINUTES FOR TANK TO HEAT. CHECK FOR LEAKS AGAIN THEN ADJUST TO THE TEMPERATURE DESIRED.

THIRD - ATTACH WCD2002 HW TANK INLET HOSE END TO COMPRESSION NUT

TANK OUTLET TO DISPENSER IN CENTER OF TANK

SECOND - PUSH ON COMPRESSION METAL SLEEVE

FIRST - SLIDE ON 1/4" COMPRESSION NUT
1/4" TANK INLET TUBE

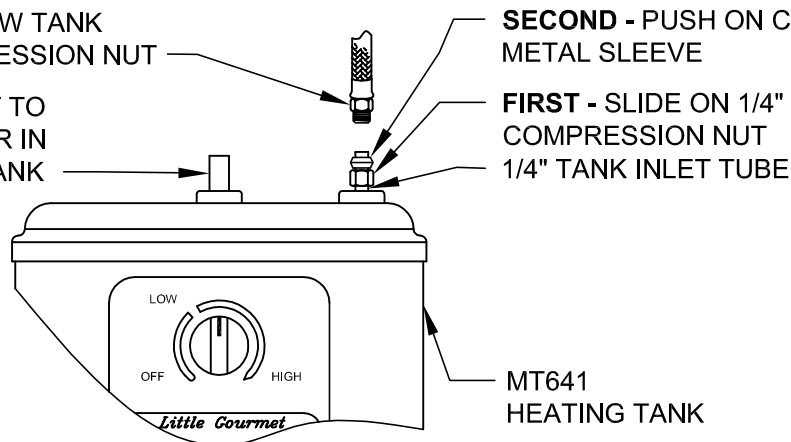


FIG. 1

MT641
HEATING TANK

FINISH CARE & MAINTENANCE

NEVER USE ANY HARSH ALKALI, ACID BASED DETERGENTS OR CLEANERS SUCH AS SOFT SCRUB®, SCRUBBING BUBBLES® OR COMET® TO CLEAN. DO NOT USE BRILLO® AND SCOTCH BRITE® PADS. THESE WILL ALL HARM THE FINISH.

TO CLEAN, USE ONLY A DAMP SOFT CLOTH AND WIPE USING A SOFT CLOTH. STANDARD WINDEX® CAN ALSO BE USED SPARINGLY. IT IS NOT NECESSARY TO WIPE HARD TO REMOVE SPOTS.

TO MAINTAIN THE FINISH, WIPE WITH A SOFT DRY CLOTH AFTER USE. AN OCCASIONAL COAT OF PURE CARNUBA WAX WITHOUT CLEANERS WILL HELP PROTECT THE FINISH.

WARRANTY

MOUNTAIN PRODUCTS HAVE A LIFETIME WARRANTY ON ALL WORKING PARTS.

ONE YEAR WARRANTY ON PLATED FINISHES AND LIFETIME ON PVD PROVIDED PROPER CARE HAS BEEN USED. LIFETIME WARRANTY ON WORKING PARTS APPLIES TO ORIGINAL PURCHASER ONLY. CLAIMS REQUIRE PROOF OF PURCHASE. IF THIS PRODUCT IS USED WITH AN RO FILTER THE WARRANTY IS VOID.

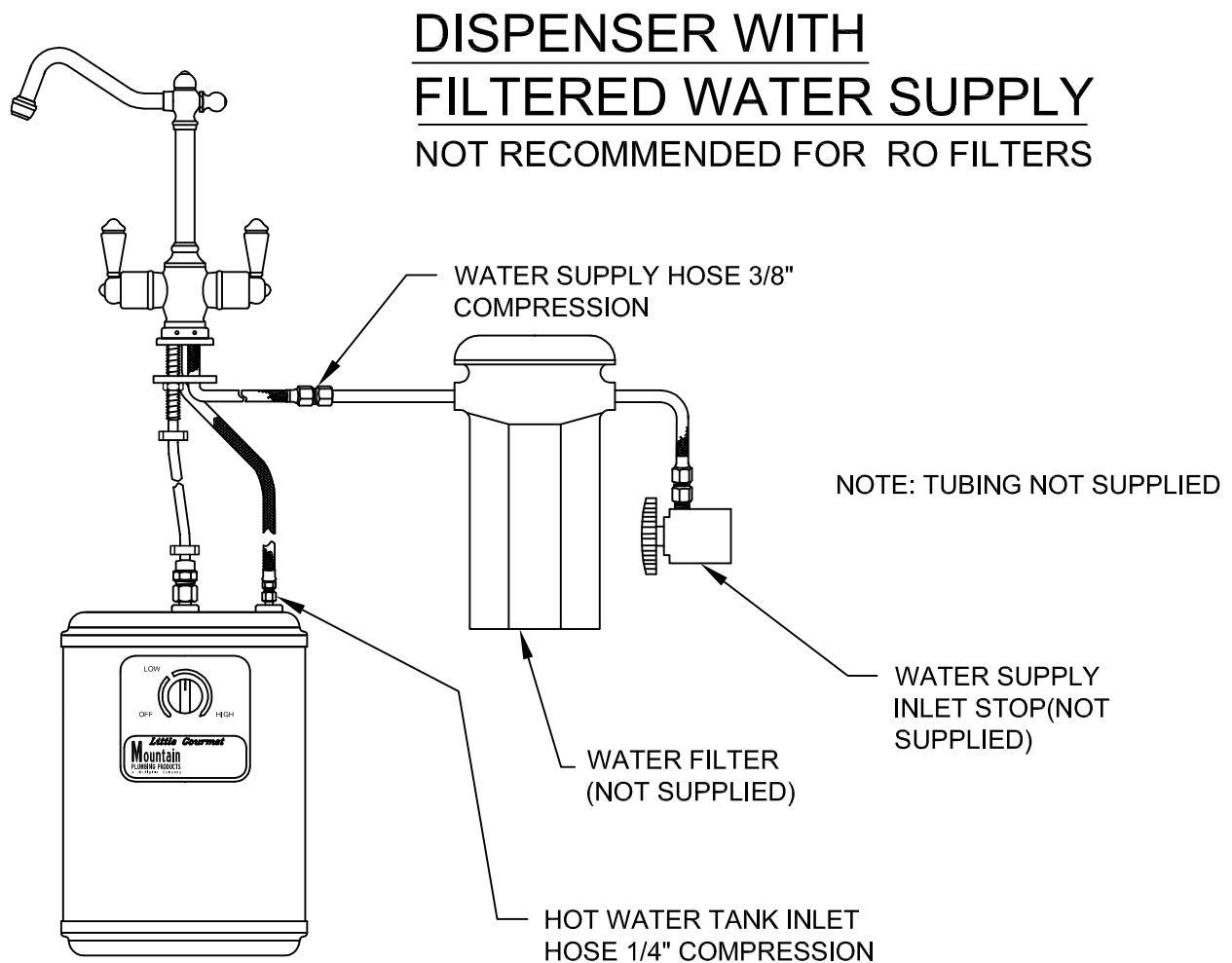


FIG. 1