



**T&S BRASS AND BRONZE WORKS, INC.**  
 2 Saddleback Cove / P.O. Box 1088  
 Travelers Rest, SC 29690

Model No.  
**B-1350**

Item No.

Travelers Rest, SC: 800-476-4103 • Simi Valley, CA: 800-423-0150 • Fax: 864-834-3518 • www.tsbrass.com

This Space for Architect/Engineer Approval

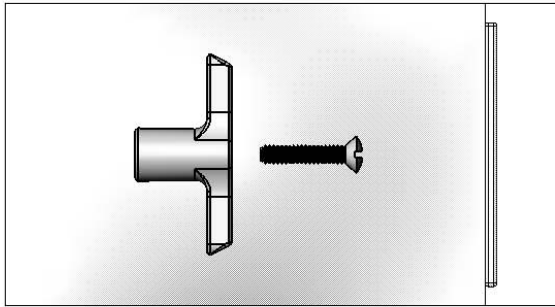
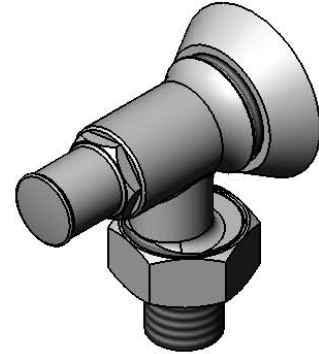
Job Name \_\_\_\_\_ Date \_\_\_\_\_

Model Specified \_\_\_\_\_ Quantity \_\_\_\_\_

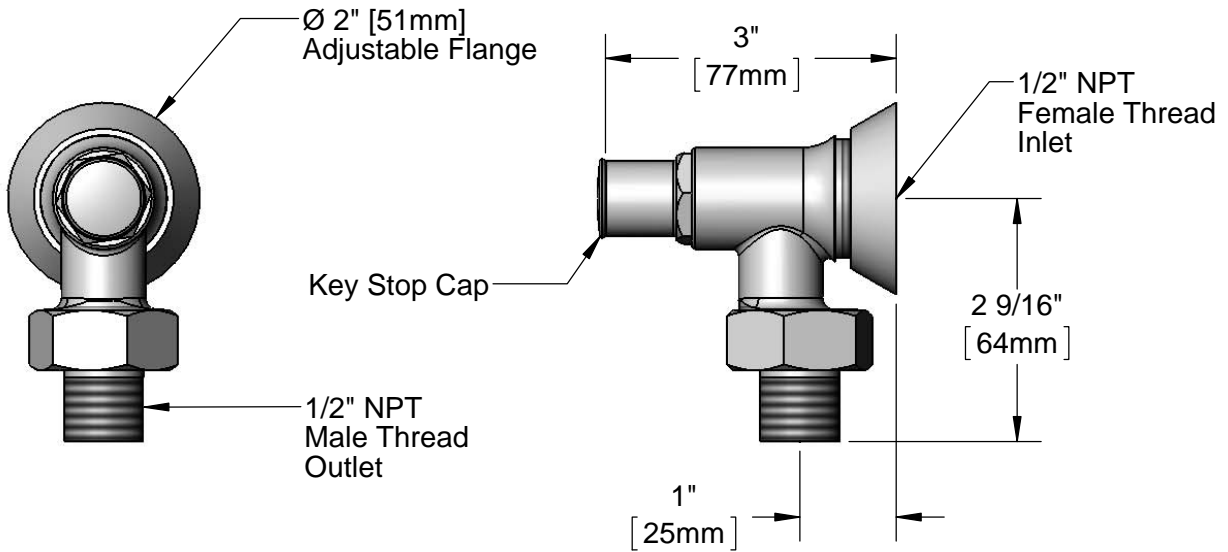
Customer/Wholesaler \_\_\_\_\_

Contractor \_\_\_\_\_

Architect/Engineer \_\_\_\_\_



T-Handle Kit w/ Mounting Screw  
 for Supply Stop



Product Specifications:  
 Loose Key Angle Stop w/ 1/2" NPT Inlet, 1/2" NPT  
 Male Union Coupling Outlet, Ø 2" Adjustable Flange  
 & Loose Key Handle

Drawn <b>DHL</b>	Checked <b>DMH</b>	Approved <b>JHB</b>
Scale: <b>1:2</b>		Date: <b>08/29/12</b>



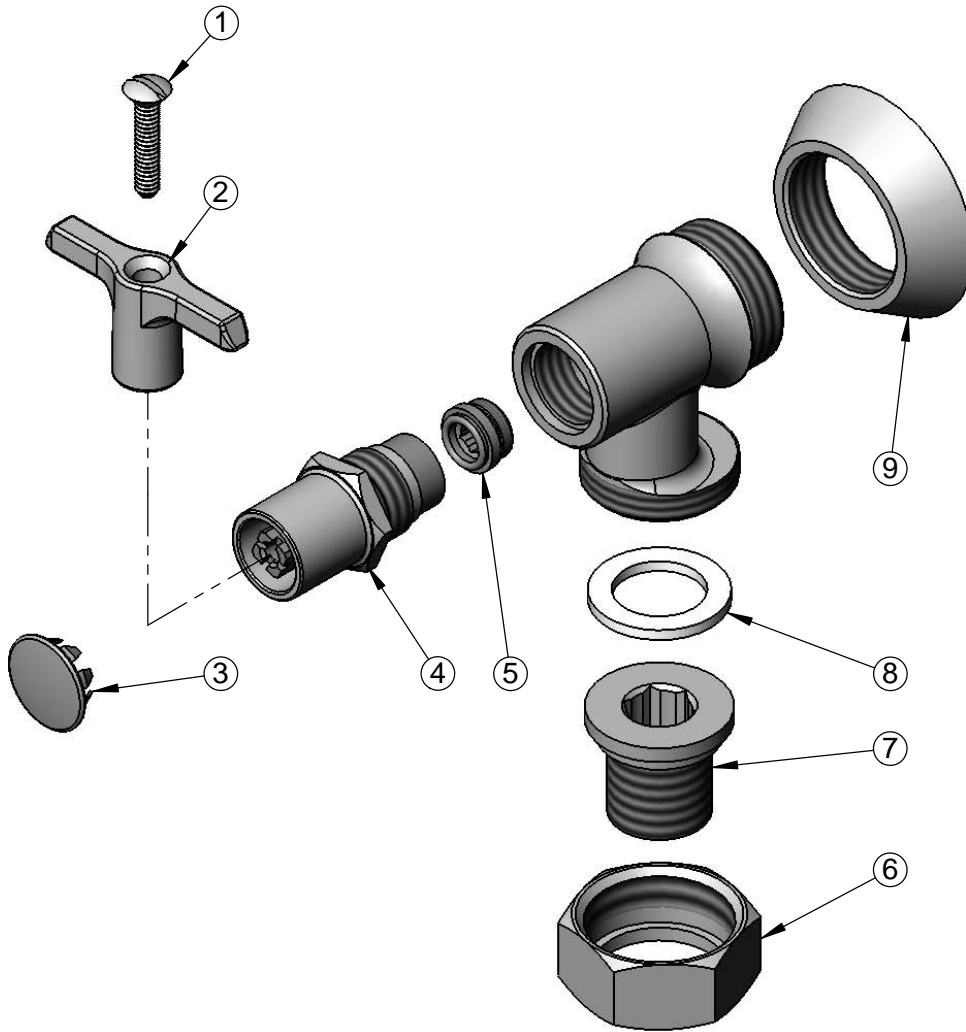
**T&S BRASS AND BRONZE WORKS, INC.**  
 2 Saddleback Cove / P.O. Box 1088  
 Travelers Rest, SC 29690

Model No.  
**B-1350**

Item No.

Travelers Rest, SC: 800-476-4103 • Simi Valley, CA: 800-423-0150 • Fax: 864-834-3518 • www.tsbrass.com

ITEM NO.	SALES NO.	DESCRIPTION
1	002432-45	Screw, Tee Handle
2	001802-45	Handle, Supply Stop "T"
3	001605-45	Cap
4	002892-40	Spindle w/ Cap
5	000763-20	Seat
6	000721-25	Flange Coupling Nut
7	000688-25	Insert, 1/2 NPT Male Union
8	001019-45	Coupling Nut Washer
9	000101-40	Flange



Product Specifications:  
 Loose Key Angle Stop w/ 1/2" NPT Inlet, 1/2" NPT  
 Male Union Coupling Outlet, Ø 2" Adjustable Flange  
 & Loose Key Handle

Drawn <b>DHL</b>	Checked <b>DMH</b>	Approved <b>JHB</b>
Scale: <b>NTS</b>		Date: <b>08/29/12</b>