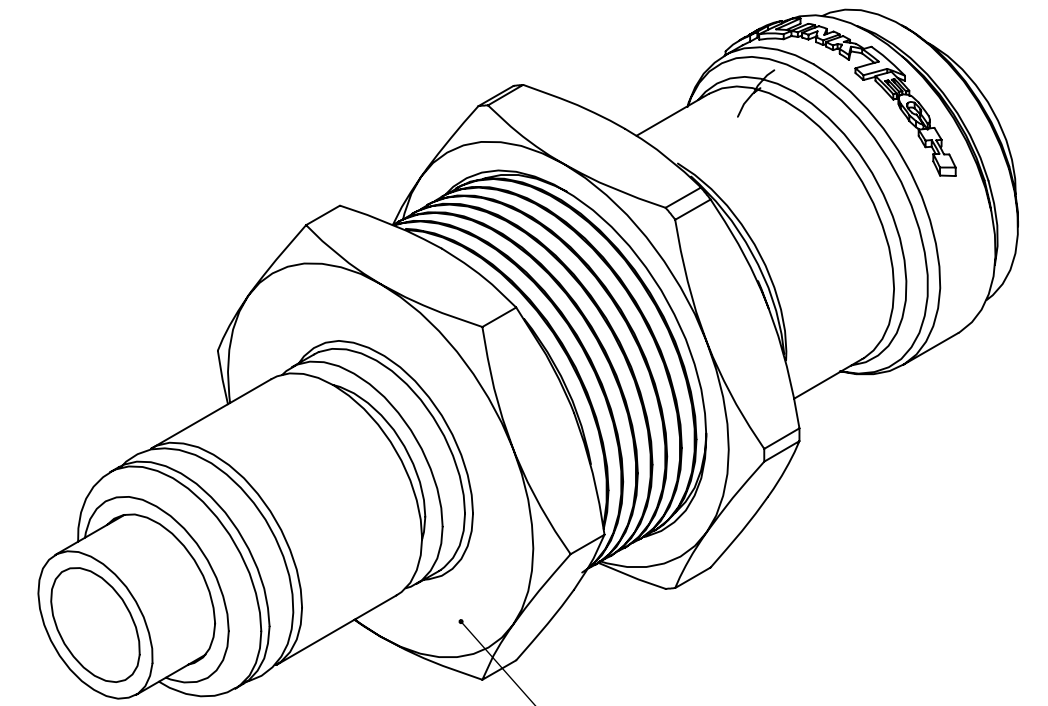
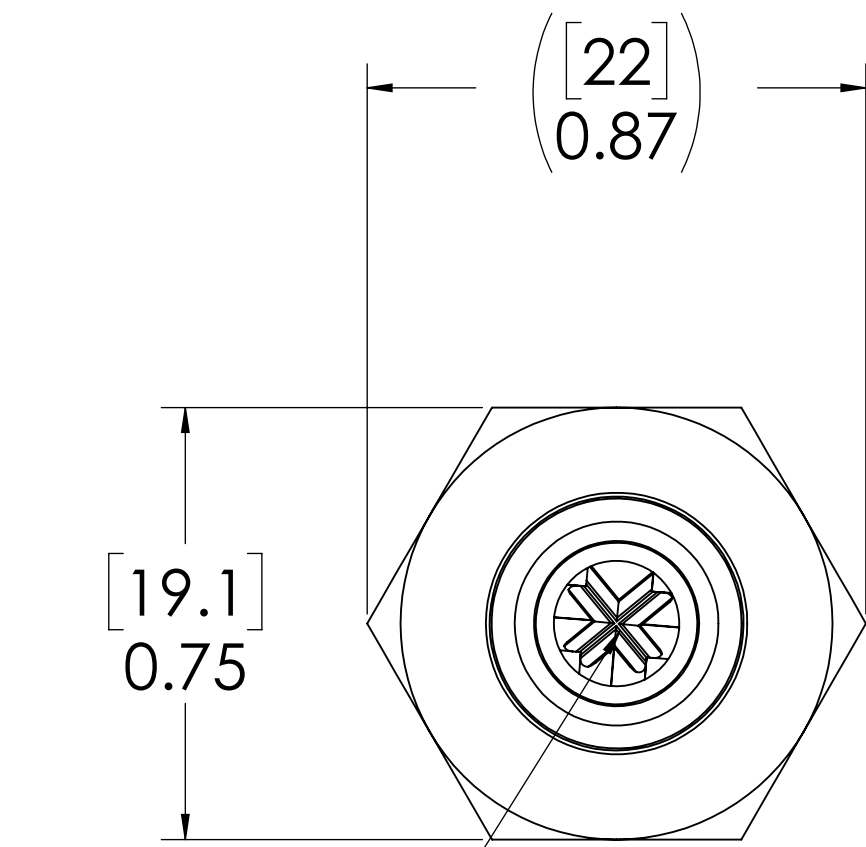


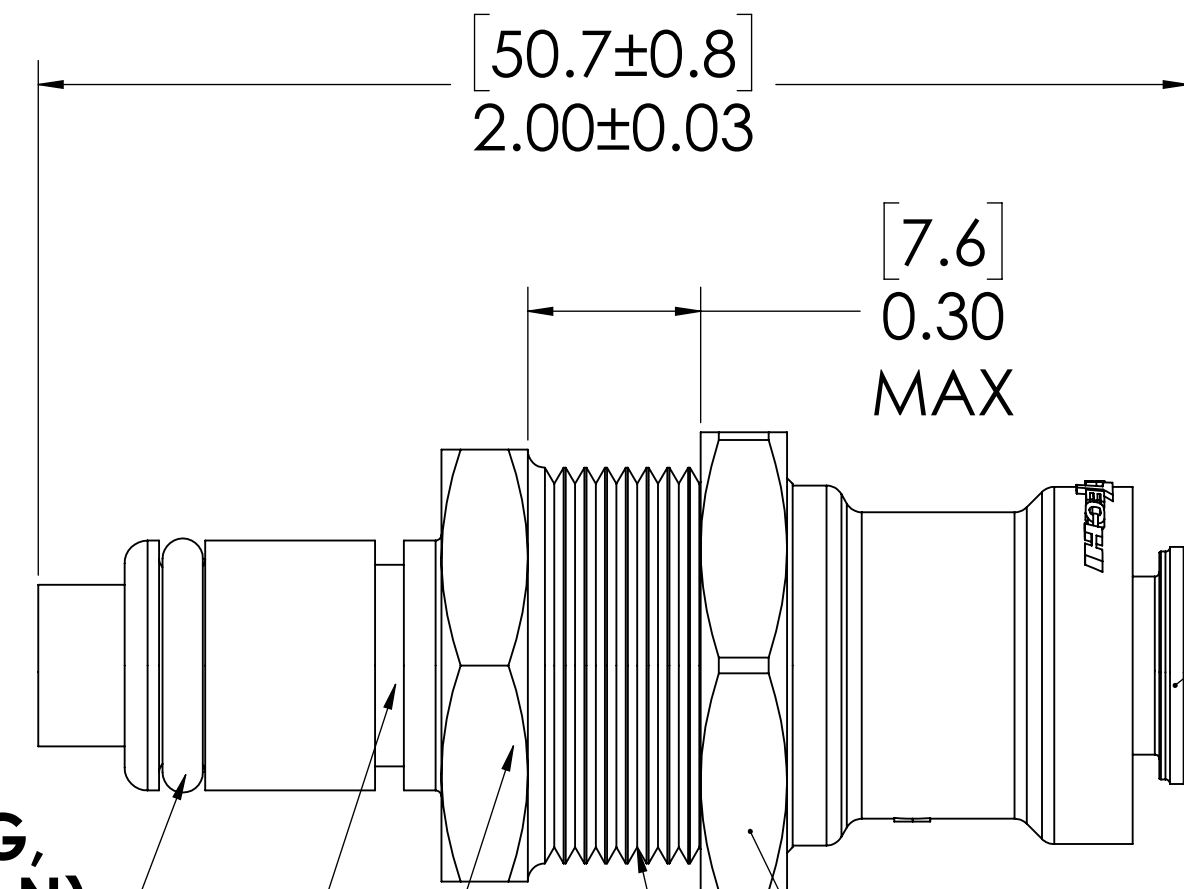
REVISIONS						
SHEET	ZONE	REV.	ECO	DESCRIPTION	DATE	APPROVED
1	ALL	A	50253	2017 FORMAT UPDATE	10/4/2018	HRC



**PLUG,  
(ACETAL)**



**VALVE,  
(ACETAL)**



**O-RING,  
(BUNA-N)**

**VALVE SPRING,  
INTERNAL  
(STAINLESS STEEL)**

**VALVE O-RING,  
INTERNAL  
(BUNA-N)**

**PANEL NUT  
(BRASS, NICKEL PLATED)  
(PACKAGED SEPARATELY)**

**1/4" TUBE OD  
(PUSH-IN)**

**11/16"-24 UNEF THREAD**

**NOTES:**

1. MATERIAL: ACETAL
2. COLOR: NATURAL WHITE
3. O-RING: BUNA-N
4. O-RING LUBRICATED WITH DOW CORNING 200 FOOD GRADE SILICONE OIL

**FOR REFERENCE ONLY**

<small>UNLESS OTHERWISE SPECIFIED: DIMENSIONS ARE IN INCHES TOLERANCES: FRACTIONAL ± 1/32 ANGULAR: MACH ± 0.5 BEND ± 2 ONE PLACE DECIMAL ± 0.1 TWO PLACE DECIMAL ± 0.01 THREE PLACE DECIMAL ± 0.005 TWO PLACE DECIMAL (mm) ± 0.12</small>	DRAWN	RDA	6/29/18	
	CHECKED	HRC	6/29/18	
	ENG APPR.	HRC	10/4/18	
	MFG APPR.	BDB	10/4/18	
PRODUCTION	LS	10/4/18		<b>PART NO:</b> 40ACV-PB18-04 <b>DESCRIPTION:</b> LinkTech 40AC Series panel Mt. Male, Valved, 250 O.D. Push-In, Natural Acetal
<small>PROPRIETARY AND CONFIDENTIAL THE INFORMATION CONTAINED IN THIS DRAWING IS THE SOLE PROPERTY OF LINKTECH LLC. ANY REPRODUCTION OR DISCLOSURE IN PART OR AS A WHOLE WITHOUT THE WRITTEN PERMISSION OF LINKTECH LLC IS STRICTLY PROHIBITED.</small>	COMMENTS:			<b>SIZE DWG. NO.</b> <b>C 40AC400084</b>
				<b>REV</b> <b>C</b>
				<b>SCALE:</b> NTS <b>WEIGHT:</b> <b>SHEET 1 OF 1</b>