

Specifications

Model Number: 10-0137
Input Voltage: 120v AC
Frequency: 50/60 Hz.
Lamp Types: See Chart On Next Page
Certifications: UL #E191525
Size: 6.5" x 1.5" x 1.0"
Weight: 10 oz.
Mounting: Slotted Mounting Tabs



1. Ground case in accordance with the National Electric Code.
2. Remote mounting distance varies with lamp type; consult factory with requirements.
3. When connecting two RED wires, they must be joined to make one wire before connecting to the lampholder.
4. For miniature bipin lamps as well as medium bipin lamps, add jumper between socket contacts, of the lampholder, before connecting the RED and YELLOW wires. (See over)



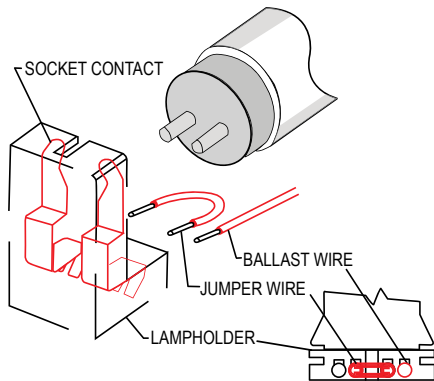
<p>10-0137 120V 50/60 HZ</p>	<p>ATLANTIC ULTRAVIOLET CORPORATION</p> <p>375 Marcus Boulevard • Hauppauge, NY 11788 631.273.0500 • Fax: 631.273.0771 info@ultraviolet.com • www.ultraviolet.com www.buyultraviolet.com</p> <p>TYPE "HCL" Inherent Thermal Protection SUITABLE FOR "AIR HANDLING SPACES"</p>	<p>120V INPUT: 120V AC 50/60HZ MAXIMUM CURRENT: 56AMP RFI, EMI: FCC Part 18A SOUND RATING: A CLASS: P TYPE: 1 or 2 Outdoor</p> <p>MAX. VOLTAGE OUTPUT CIRCUIT OR TO GROUND: 600 VAC INSTANT START: MIN. BALLAST START: Minus 20°F MIN. LAMP START: See Lamp Specs</p>	<p>High Power Factor Danger High Voltage!</p> <p>Ballast case must be grounded in accordance with National Electric Code. Disconnect input power before installing or servicing. For wiring information, see instruction sheet.</p> <p>APPROVED FOR LAMP COMBINATIONS OF 64 MAX. WATTS OF CFS/4P, CFT/4P, CFQ/4P, CFM/4P, CIRCLINE, LINEAR T5HO, T8, T8HO, T10, T12 & T12HO LAMPS, WHEN USED PER WIRING SPECS.</p>	<p>Surelite™ ELECTRONIC BALLAST</p> <p>ROHS COMPLIANT</p> <p>UL US #E191525</p> <p>FLUORESCENT LAMP BALLAST 34EF</p>
---	--	---	---	--

The information and recommendations contained in this publication are based upon data collected by the Atlantic Ultraviolet Corporation® and are believed to be correct. However, no guarantee or warranty of any kind, expressed or implied, is made with respect to the information contained herein. Specifications and information are subject to change without notice.

Lamp Types

Lamp Types	Wiring Diagram
MIGHTY★PURE® MP16A, SANITRON® S17A Lamp Part No. 05-1098-R	1
MIGHTY★PURE® MP22A, SANITRON® S23A Lamp Part No. 05-1097-R	1
MIGHTY★PURE® MP36C, SANITRON® S37C Lamp Part No. 05-1343-R	2
MIGHTY★PURE® MP49C, SANITRON® S50C Lamp Part No. 05-1334-R	2
G12–G48T5	2
GPH212–GPH1148T5	1

This ballast may be acceptable for use with lamps not listed here. Contact us to discuss your requirement.

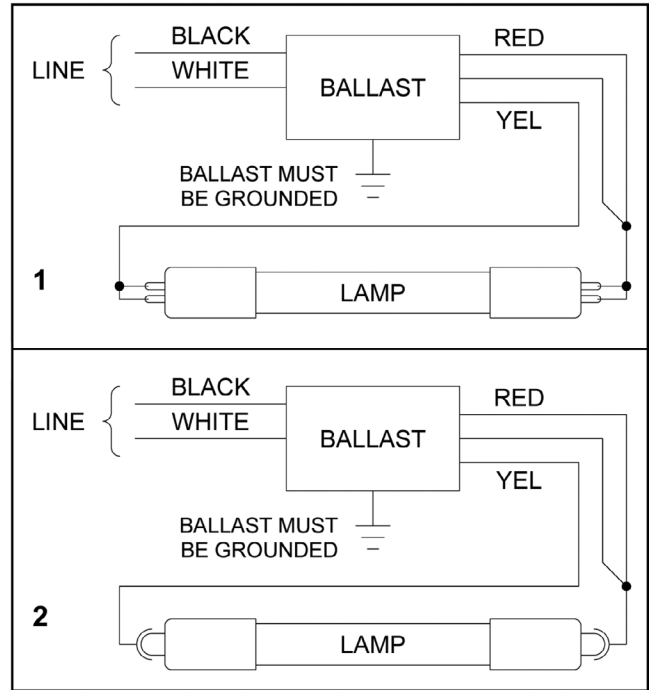


NOTE: For 4-Pin Single Ended Lamps, See Wiring Diagram Below.

Wiring Jumper Detail

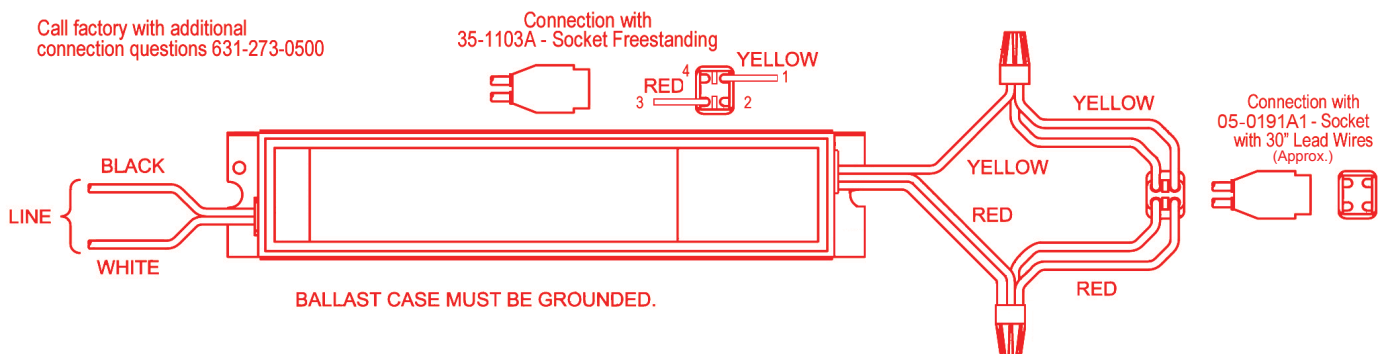
For Miniature Bipin and Medium Bipin Lamps, add jumper between socket contacts of the lampholder before connecting the RED and YELLOW wires.

Wiring Diagrams



Connections

4-Pin Wiring Diagram (Single Ended)



Typical Instant Start Ballast Connections for Preheat Lamps

The information and recommendations contained in this publication are based upon data collected by the Atlantic Ultraviolet Corporation® and are believed to be correct. However, no guarantee or warranty of any kind, expressed or implied, is made with respect to the information contained herein. Specifications and information are subject to change without notice.