

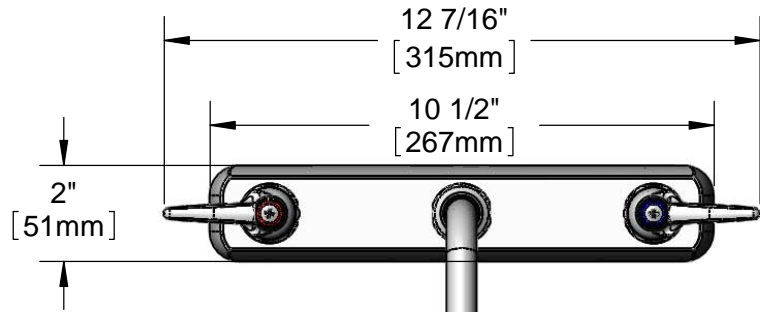


T&S BRASS AND BRONZE WORKS, INC.
 2 Saddleback Cove / P.O. Box 1088
 Travelers Rest, SC 29690

Model No.
B-1123

Item No.

Travelers Rest, SC: 800-476-4103 • Simi Valley, CA: 800-423-0150 • Fax: 864-834-3518 • www.tsbrass.com



This Space for Architect/Engineer Approval

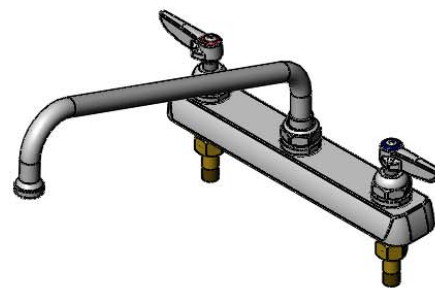
Job Name _____ Date _____

Model Specified _____ Quantity _____

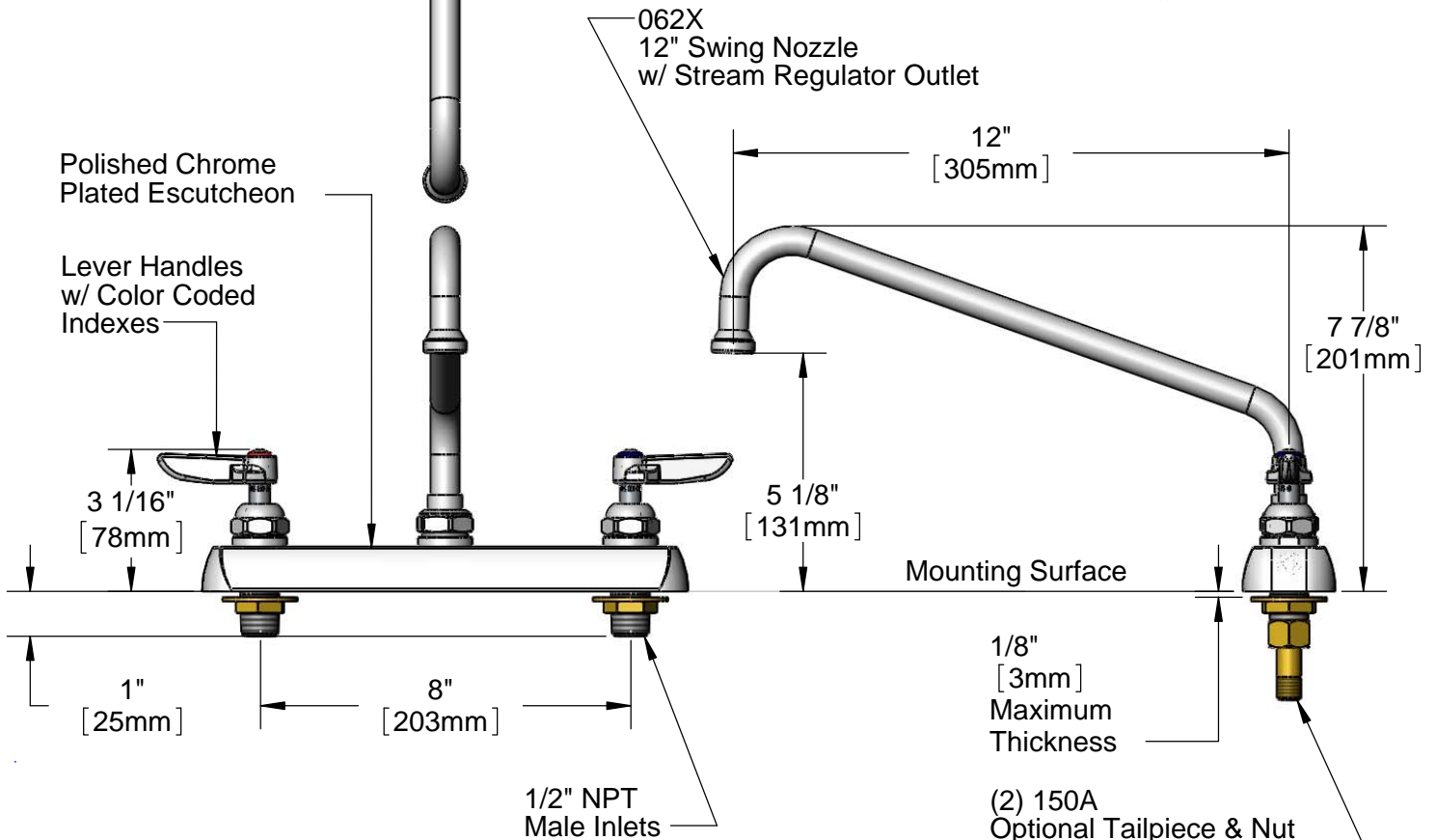
Customer/Wholesaler _____

Contractor _____

Architect/Engineer _____



ADA Compliant



Rough-In Requirement:
 (2) ϕ 1" [25mm] Mounting Holes

1/8"
 [3mm]
 Maximum
 Thickness

(2) 150A
 Optional Tailpiece & Nut
 For 1/4" NPT Connection
 (Included)

Product Specifications:
 8" Deck Mount Workboard Faucet w/ Lever Handles,
 12" Swing Nozzle, Stream Regulator Outlet & 1/2" NPT Male Inlets

Drawn DHL	Checked DMH	Approved JHB
Scale: 1:4		Date: 02/11/13

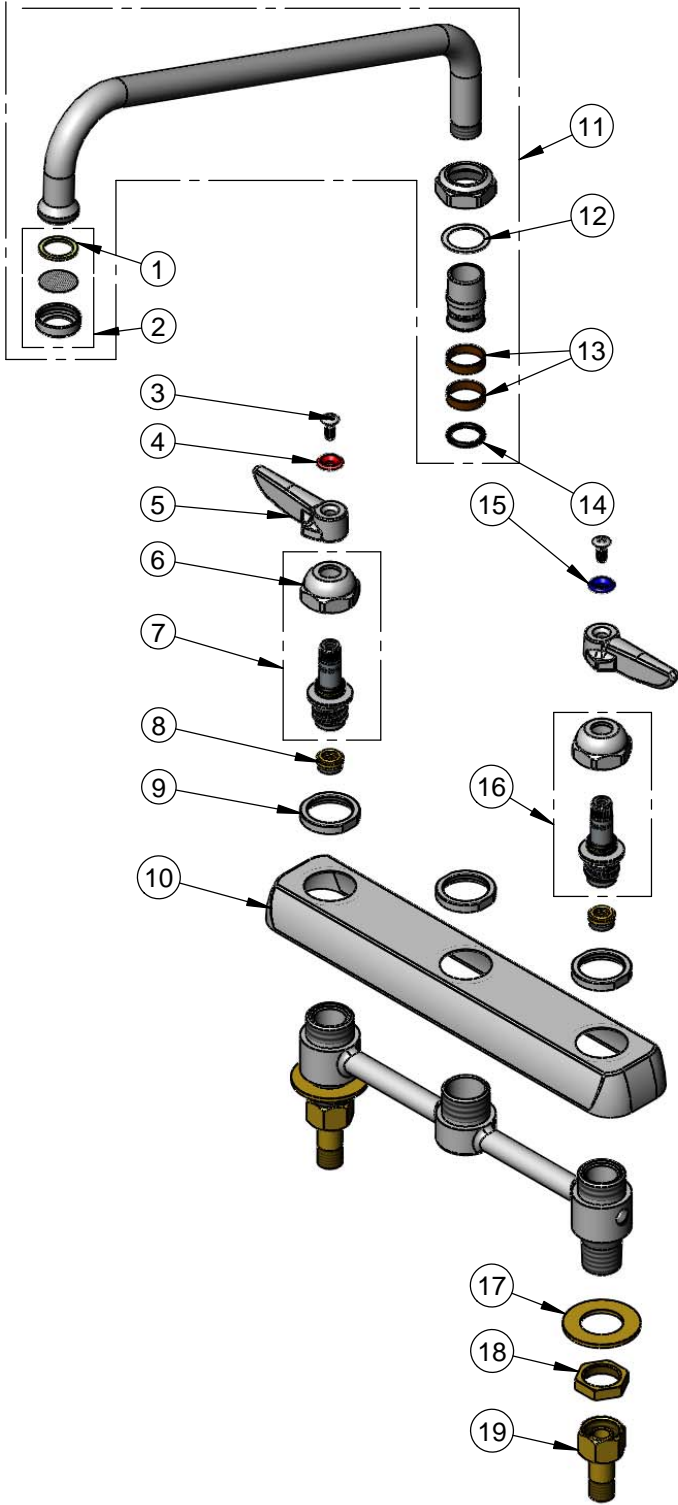


T&S BRASS AND BRONZE WORKS, INC.
 2 Saddleback Cove / P.O. Box 1088
 Travelers Rest, SC 29690

Model No.
B-1123

Item No.

Travelers Rest, SC: 800-476-4103 • Simi Valley, CA: 800-423-0150 • Fax: 864-834-3518 • www.tsbrass.com



ITEM NO.	SALES NO.	DESCRIPTION
1	001048-45	Nozzle Tip Washer
2	B-PT	Stream Regulator Outlet
3	000922-45	Lever Handle Screw
4	001661-45	Red Index-HW
5	001638-45	Lever Handle
6	009749-25	Bonnet Nut
7	009753-25	B-1100 Spindle Assembly, RTC
8	000763-20	Seat
9	000712-25	Escutcheon Lock Nut
10	001259-40	Escutcheon
11	062X	12" Swing Nozzle w/ B-PT Stream Regulator Outlet
12	009538-45	Swivel Washer
13	011429-45	Swivel Sleeves (2)
14	001074-45	O-Ring
15	001660-45	Blue Index-CW
16	009754-25	B-1100 Spindle Assembly, LTC
17	000999-45	Brass Lock Washer
18	002954-45	Shank Lock Nut
19	150A	1/4" NPT Tailpiece & Nut

Product Specifications:
 8" Deck Mount Workboard Faucet w/ Lever Handles,
 12" Swing Nozzle, Stream Regulator Outlet & 1/2" NPT Male Inlets

Drawn DHL	Checked DMH	Approved JHB
Scale: NTS		Date: 02/11/13