



T&S BRASS AND BRONZE WORKS, INC.

2 Saddleback Cove / P.O. Box 1088
Travelers Rest, SC 29690

Model No.

000369-40

Item No.

Travelers Rest, SC: 800-476-4103 • Simi Valley, CA: 800-423-0150 • Fax: 864-834-3518 • www.tsbrass.com

This Space for Architect/Engineer Approval

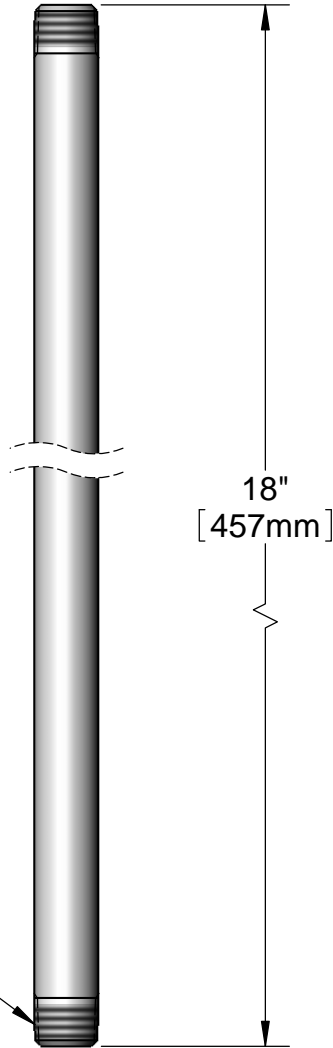
Job Name _____ Date _____

Model Specified _____ Quantity _____

Customer/Wholesaler _____

Contractor _____

Architect/Engineer _____



3/8" NPT Male Thread
(Both Ends)

Finish: Chrome Plated

Product Specifications:
3/8" NPT Threads (Both Ends) x 18" Long Nipple

Drawn

DHL

Checked

KJG

Approved

JHB

Scale:

1:2

Date:

04/10/12