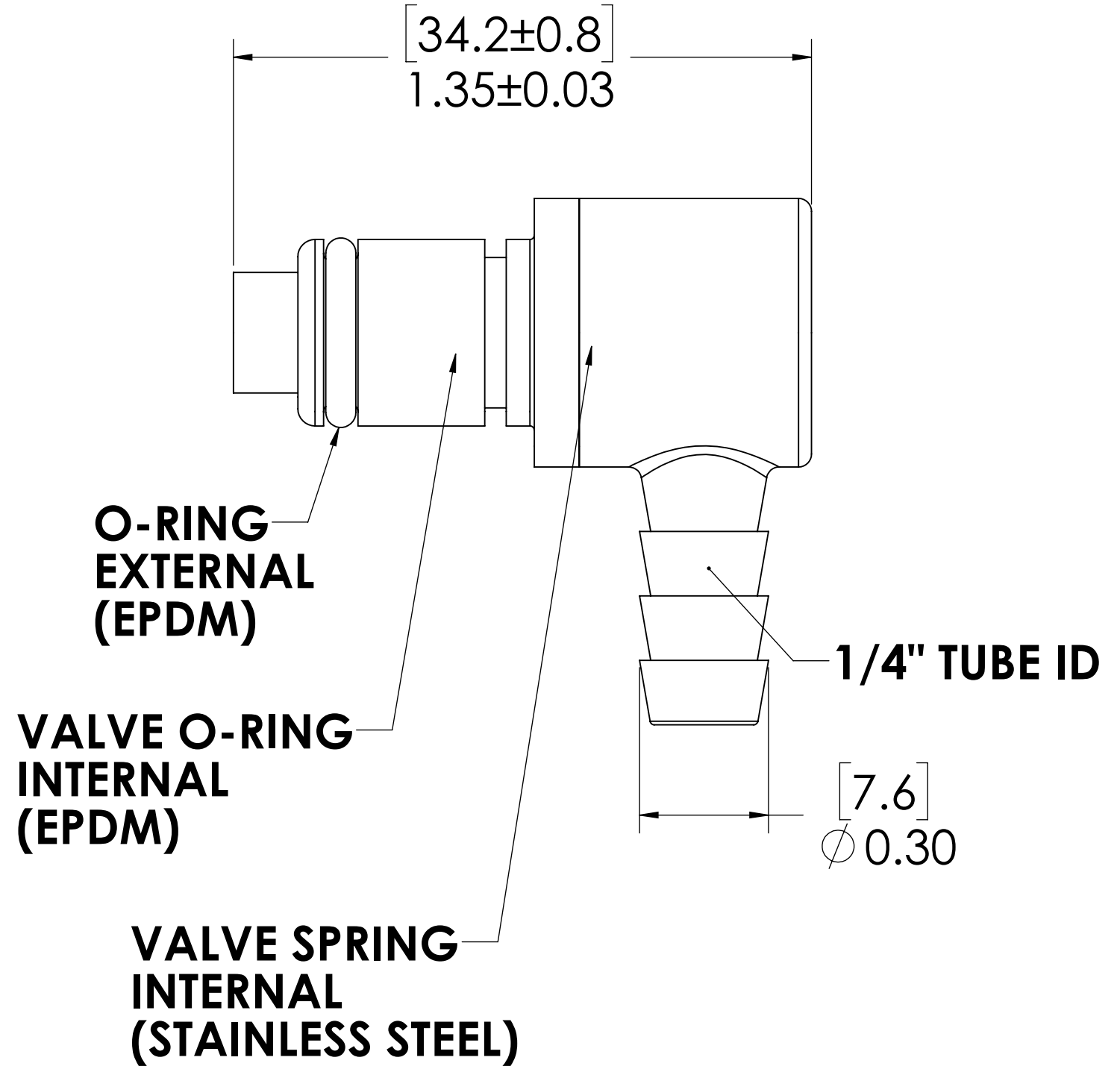
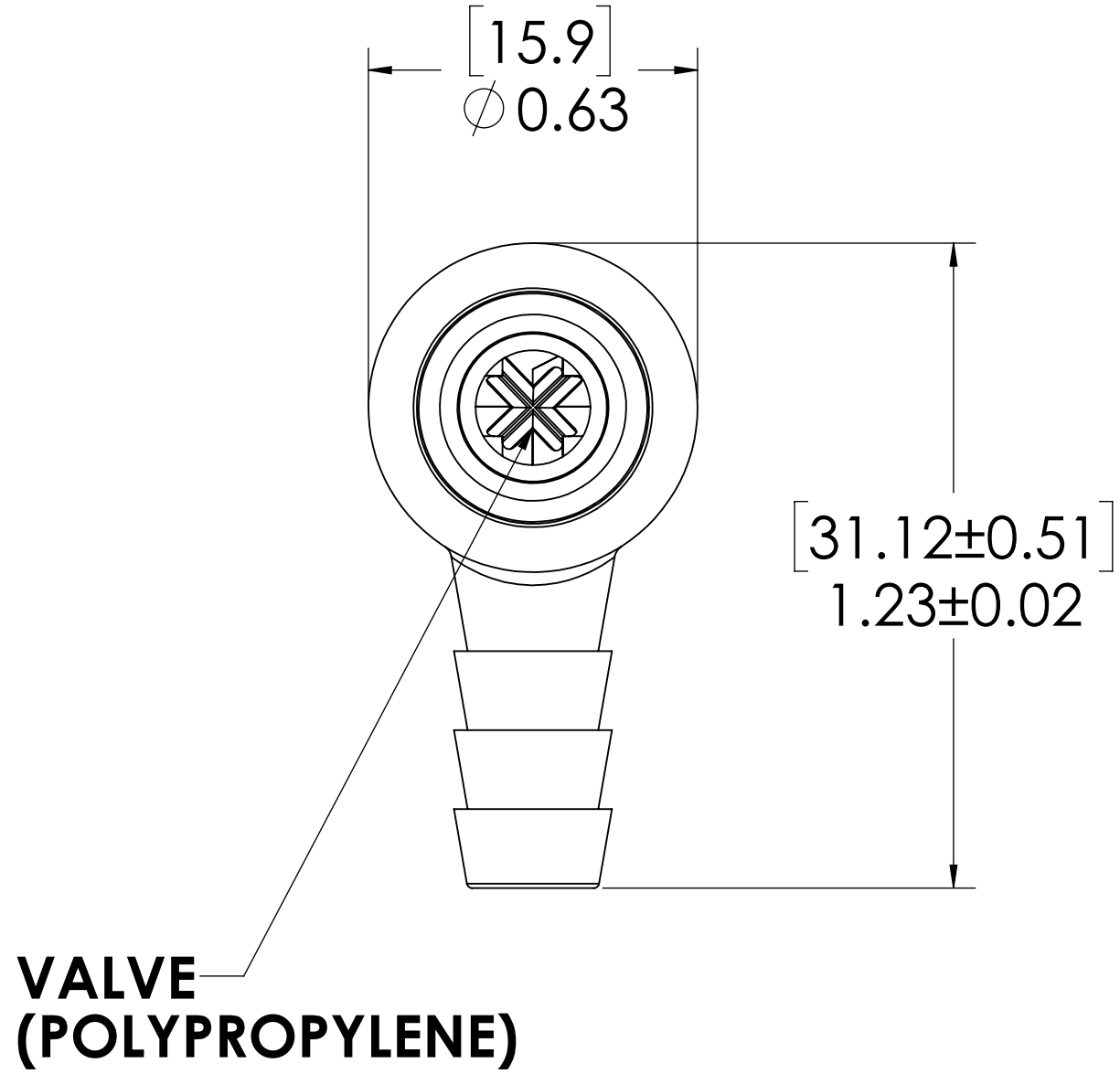
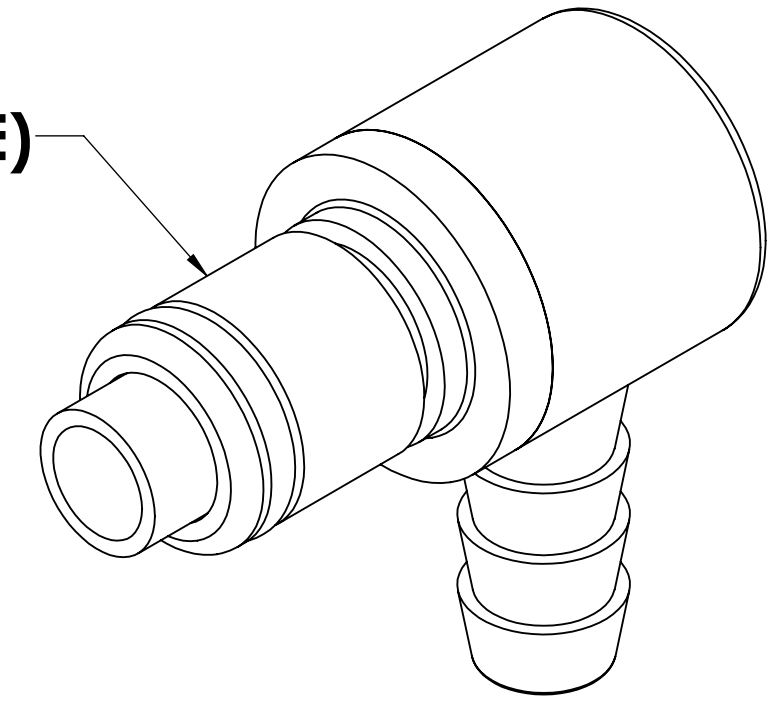


REVISIONS						
SHEET	ZONE	REV.	ECO	DESCRIPTION	DATE	APPROVED
1	ALL	A	50253	UPDATE DWG TO CURRENT FORMAT & STANDARDS	10/23/2018	HRC

**PLUG
(POLYPROPYLENE)**



- NOTES:**
1. MATERIAL: POLYPROPYLENE
 2. COLOR: MOLDED ALMOND
 3. O-RING MATERIAL: EPDM
 4. O-RINGS LUBRICATED WITH FOOD GRADE SILICONE OIL, 350 CST.

FOR REFERENCE ONLY

<small>UNLESS OTHERWISE SPECIFIED: DIMENSIONS ARE IN INCHES TOLERANCES: FRACTIONAL ± 1/32 ANGULAR: MACH ± 0.5 BEND ± 2 ONE PLACE DECIMAL ± 0.1 TWO PLACE DECIMAL ± 0.01 THREE PLACE DECIMAL ± 0.005 TWO PLACE DUAL (mm) [± 0.12]</small>	DRAWN	LMP	4/13/2018	
	CHECKED	HRC	4/13/2018	
	ENG APPR.	HRC	10/23/18	
	MFG APPR.	BDB	10/23/18	
<small>PROPRIETARY AND CONFIDENTIAL</small>	PURCHASING	LS	10/23/18	PART NO: 40PPV-PE4-04MALD
<small>THE INFORMATION CONTAINED IN THIS DRAWING IS THE SOLE PROPERTY OF LINKTECH LLC. ANY REPRODUCTION OR DISCLOSURE IN PART OR AS A WHOLE WITHOUT THE WRITTEN PERMISSION OF LINKTECH LLC IS STRICTLY PROHIBITED.</small>	COMMENTS:			<small>DESCRIPTION:</small> LinkTech 40PP Series Elbow Plug Male, Valved, 1/4" HB, Molded Almond Color, Polypropylene
				<small>SIZE DWG. NO. REV</small> C 40PP400134 A
				<small>SCALE: NTS WEIGHT: SHEET 1 OF 1</small>