

Aqua-Pure®

Spec # _____

Quantity _____

Models:

GRMB Series

Whole House Water Filters

Applications:

- Pre-Filtration
- Sediment/Rust

At a Glance:

- Standard 2.5" diameter drop-in cartridge
- Available in 10", 20" & 30" lengths
- Available in 1, 5, 10, 20 & 50 micron (nominal) ratings
- Efficient sediment or rust reduction cartridge



10"

20"

30"

GRMB Series

Product Benefits:

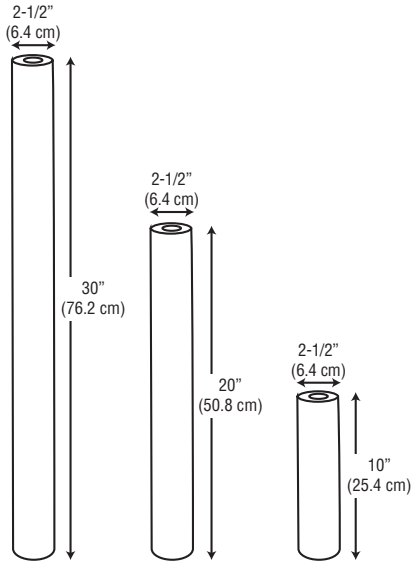
- Design technology provides fine sediment filtration down to 1 micron*
- Melt blown design helps provide efficient sediment filtration for whole house or light commercial/industrial applications
- Rigid construction helps to eliminate sediment "unloading" due to variances in water pressure

* depends on model selected. Nominal rated.

Product Specifications:

Model No.	Dimensions		Flow Rate	Maximum Water Temp.	Degree of Filtration
	Height	Diameter			
GRMB01PP10UB GRMB05PP10UB GRMB10PP10UB GRMB20PP10UB GRMB50PP10UB	10" (25.4 cm)	2-1/2" (6.4 cm)	8 gpm (30.3 lpm)	100°F (38.7°C)	1 micron nominal 5 micron nominal 10 micron nominal 20 micron nominal 50 micron nominal
GRMB01PP20UB GRMB05PP20UB GRMB10PP20UB GRMB20PP20UB GRMB50PP20UB	20" (50.8 cm)	2-1/2" (6.4 cm)	16 gpm (60.6 lpm)	100°F (38.7°C)	1 micron nominal 5 micron nominal 10 micron nominal 20 micron nominal 50 micron nominal
GRMB01PP30UB GRMB05PP30UB GRMB10PP30UB GRMB20PP30UB GRMB50PP30UB	30" (76.2 cm)	2-1/2" (6.4 cm)	24 gpm (90.8 lpm)	100°F (38.7°C)	1 micron nominal 5 micron nominal 10 micron nominal 20 micron nominal 50 micron nominal

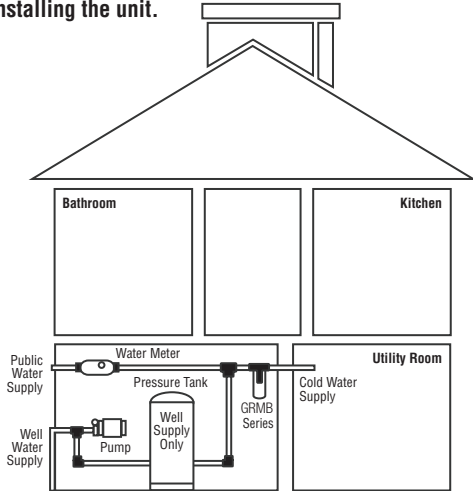
Aqua-Pure®



GRMB Series

Easy Installation:

CAUTION: Diagram shown is for reference purposes only. Read installation and operation manual prior to installing the unit.



Spec # _____

Quantity _____

Model Number _____

Part Number _____

Specifications:

- Cartridge is manufactured from FDA CFR-21 compliant materials
- Cartridge has a maximum operating temperature of 100°F (38.7°C)
- Cartridge to be installed at point of entry

WARNING: Do not use with water that is microbiologically unsafe or of unknown quality without adequate disinfection before or after the system.

3M Purification Inc. recommends regularly scheduled maintenance and replacement of the filter cartridge(s) in order for the product to perform as advertised/sold. **Change the filter cartridge at least every 6 months. Improper installation and maintenance may result in property damage due to water leakage.**

Limited Warranty:

3M Purification Inc. warrants this Product will be free from defects in material and manufacture for one (1) year from the date of purchase. This warranty does not cover failures resulting from abuse, misuse, alteration or damage not caused by 3M Purification Inc. or failure to follow installation and use instructions. No warranty is given as to the service life of any filter cartridge or membrane as it will vary with local water conditions and water consumption. 3M PURIFICATION INC. MAKES NO OTHER WARRANTIES OR CONDITIONS, EXPRESS OR IMPLIED, INCLUDING, BUT NOT LIMITED TO, ANY IMPLIED WARRANTY OR CONDITION OF MERCHANTABILITY OR FITNESS FOR A PARTICULAR PURPOSE OR ANY IMPLIED WARRANTY OR CONDITION ARISING OUT OF A COURSE OF DEALING, CUSTOMER OR USAGE OF TRADE. If the Product fails to satisfy this Limited Warranty during the warranty period, 3M Purification Inc. will replace the Product or refund your Product purchase price. This warranty does not cover labor. **The remedy stated in this paragraph is Customer's sole remedy and 3M Purification Inc's exclusive obligation.**

This warranty gives you specific legal rights, and you may have other rights which may vary from state to state, or country to country. For any warranty questions, please call 1-877-238-9119 or mail your request to: Warranty Claims, 3M Purification Inc., 400 Research Parkway, Meriden, CT 06450. Proof of purchase (original sales receipt) must accompany the warranty claim, along with a complete description of the Product, model number and alleged defect.

Limitation of Liability. 3M Purification Inc. will not be liable for any loss or damage arising from this 3M Purification Inc. product, whether direct, indirect, special, incidental, or consequential, regardless of the legal theory asserted, including warranty, contract, negligence or strict liability. Some states and countries do not allow the exclusion of limitation of incidental or consequential damages, so the above limitation or exclusion may not apply to you.

Distributed by:



3M Purification Inc.
 400 Research Parkway
 Meriden, CT 06450 U.S.A.
 Toll Free: 1.800.222.7880
 Worldwide: 203.237.5541
 Fax: 203.238.8701
 www.aquapure.com • www.3mpurification.com

3M is a trademark of 3M Company.
 Aqua-Pure is a trademark of 3M Company used under license.
 © 2010 3M Company. All rights reserved.
 70-0202-6425-8
 REV 0910