



DEV9100-50

CGS-55 Series-Parallel Housing

Foodservice System Housing for Drop-In Cartridges



CGS-55 20" Triple Series-Parallel Housing:
DEV9100-50

BENEFITS

20" low profile Slim Line triple bowl housing in Series/Parallel configuration

Manufactured of durable polypropylene and has excellent chemical resistance

System includes water pressure gauge

Equipped with a pressure relief button to relieve water pressure during cartridge changes

Includes wall mounting bracket and hardware for fast and easy installation

System is shipped fully assembled

Use the first bowl for prefiltration in series with two parallel carbon cartridges of the same type

Cartridges sold separately

INSTALLATION TIPS

Choose a mounting location suitable to support the full weight of the system when operating

Install vertically so bowls hang down

Allow 2-1/2" clearance below the cartridge for easy cartridge replacement

Make sure O-ring on bowl is sufficiently lubricated

Always screw on bowls by hand; do not use a housing wrench

Flush filter by running water through filter according to cartridge instructions

OPERATION TIPS

Change cartridges on a regular 6 month preventative maintenance program

Change cartridges when capacity is reached or when pressure decreases

Always inspect O-ring; change and/or lubricate if necessary

Clean bowl with mild solution of detergent before inserting new cartridge

Always flush the filter cartridge at time of installation and cartridge change

APPLICATION/SIZING

For foodservice applications

Bowl housing assembly accepts drop in cartridges

Capacity: varies according to filter cartridge used

CGS-55 Series-Parallel Housing

SPECIFICATIONS

Overall Dimensions:
25"H x 17.75"W x 5.25"D

Inlet connection: 1/2"

Outlet connection: 1/2"

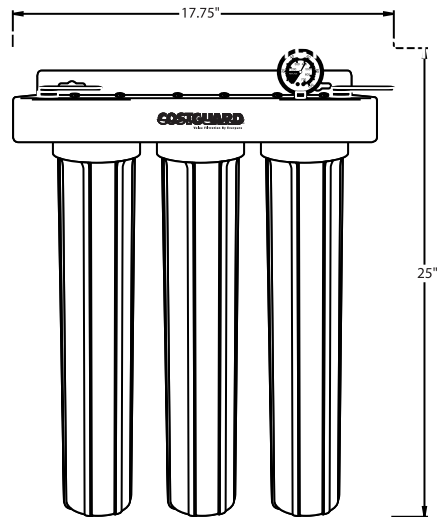
Service Flow Rate:
Maximum 4.0 gpm (15.1 Lpm)

Pressure Requirements:
30 -125 psi (2.1 – 8.6 bar), non-shock

Temperature: 40 - 100°F (4.4 - 38°C)

No electrical connection required

The contaminants or other substances removed by this drinking water system are not necessarily in your water. Do not use with water that is microbiologically unsafe or of unknown quality without adequate disinfection before or after the system. Systems certified for cyst reduction may be used with disinfected water that may contain filterable cysts.



WARRANTY

Everpure water treatment systems (excluding replaceable elements) are covered by a limited warranty against defects in material and workmanship for a period of five years after date of purchase. Everpure replaceable elements (filter cartridges and water treatment cartridges) are covered by a limited warranty against defects in material and workmanship for a period of one year after date of purchase. See printed warranty for details. Everpure will provide a copy of the warranty upon request.

EVERPURE®

EVERPURE, LLC
1040 Muirfield Drive
Hanover Park, Illinois 60133
Toll Free (800) 323-7873
Tel (630) 307-3000
Fax (630) 307-3030
<http://www.everpure.com>

In Europe:
N.V. EVERPURE (EUROPE) S.A.
INDUSTRIEPARK WOLFSTEE
TOEKOMSTLAAN 30
B-2200 HERENTALS
BELGIUM
TEL 32 -14-283500
FAX 32-14-283505

In Japan:
EVERPURE JAPAN LLC
HASHIMOTO MN BLDG. 7F
3-25-1 HASHIMOTO SAGAMIHARA-SHI
KANAGAWA 229-1103
JAPAN
TEL 81-(0)42-775-3011
FAX 81-(0)42-775-3015

Everpure, LLC
1040 Muirfield Drive
Hanover Park, IL 60133
Phone: 630-307-3020 Fax: 630-307-3030